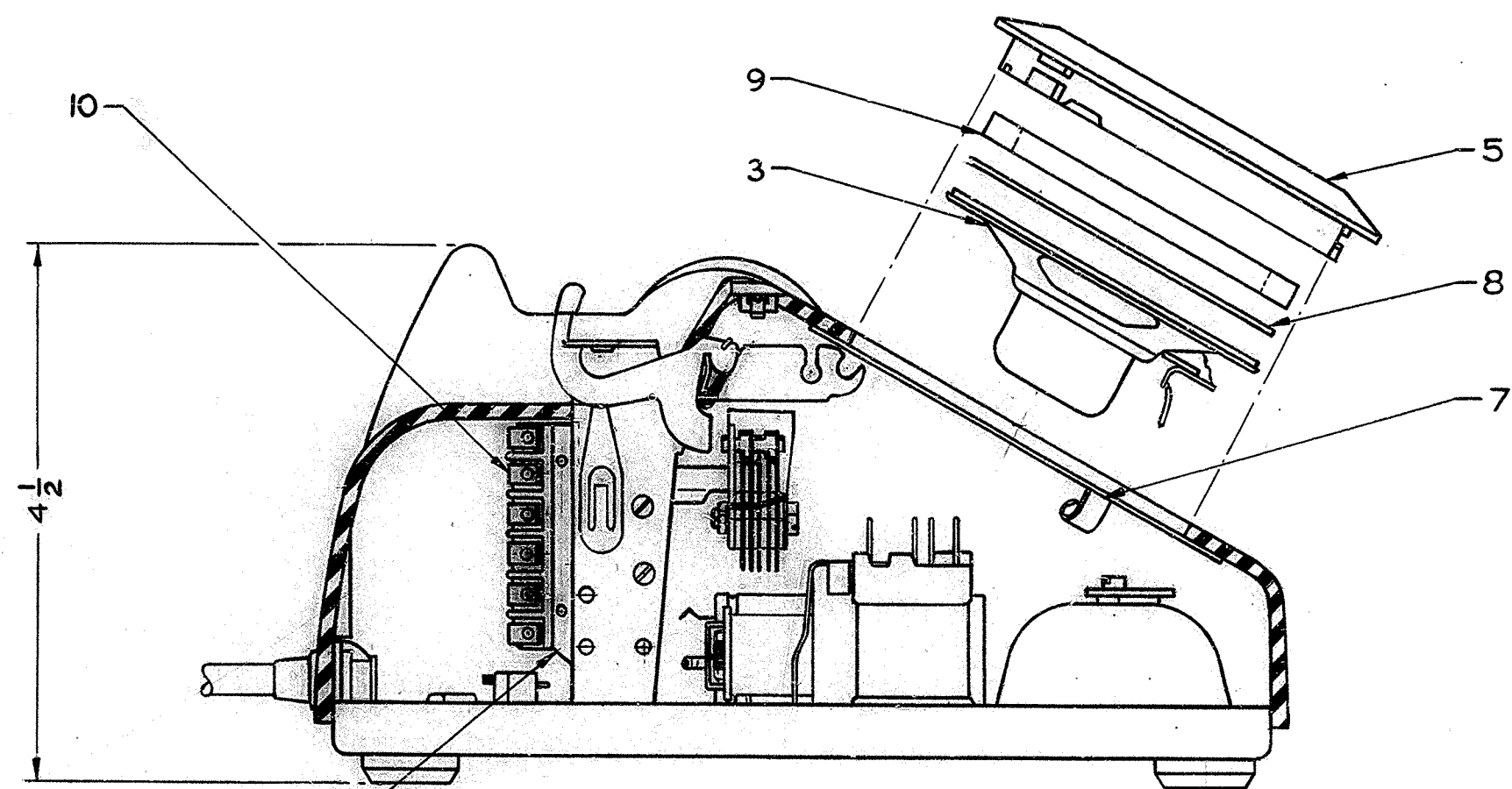
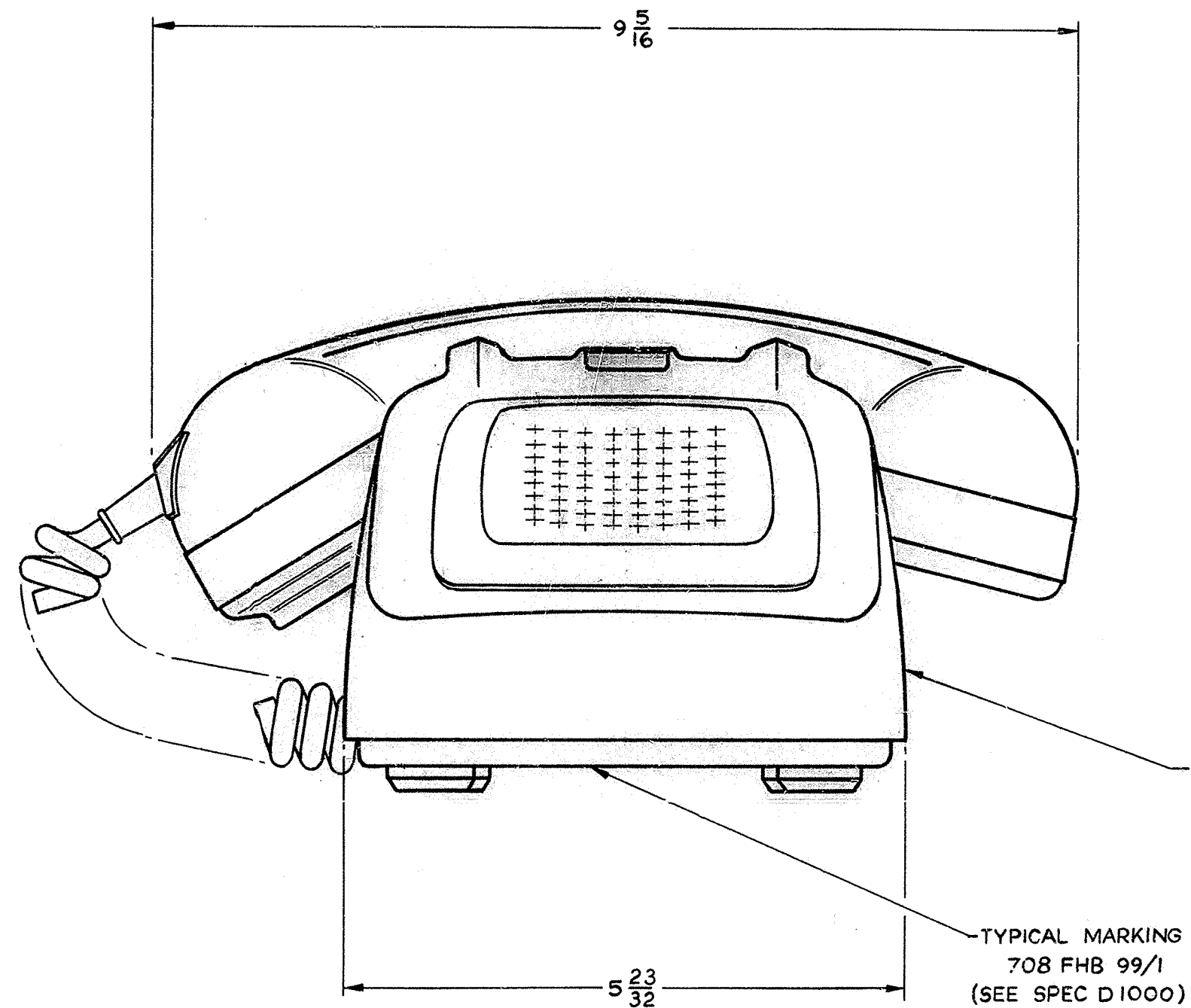


VIEW WITH COVER REMOVED



HALF SECTION THROUGH COVER



A1 A2	DRN V.B. CKD J.C.Y.
	CERTIFICATION W.L. H THWAITE
REV	DATE
1	20-8-61

PICTORIALLY AMENDED IN ACCORDANCE WITH DELETION OF ITEM 2	15.10.73	F
REDRAWN, SHEET 2 ADDED.	17.1.73	E
SEE SUPERSEDED ISSUE FOR PREVIOUS AMENDMENTS		

MATERIAL	FINISH
—	—
TELEPHONE No.708 (COLOUR) (MARK 1) (ASSEMBLY)	

DO NOT SCALE
REFERENCES SPEC D1000, SEE SCHEDULE SPEC S 688, ON SHEET 2. DGM SA 4160.
91568 SHEET 1-2