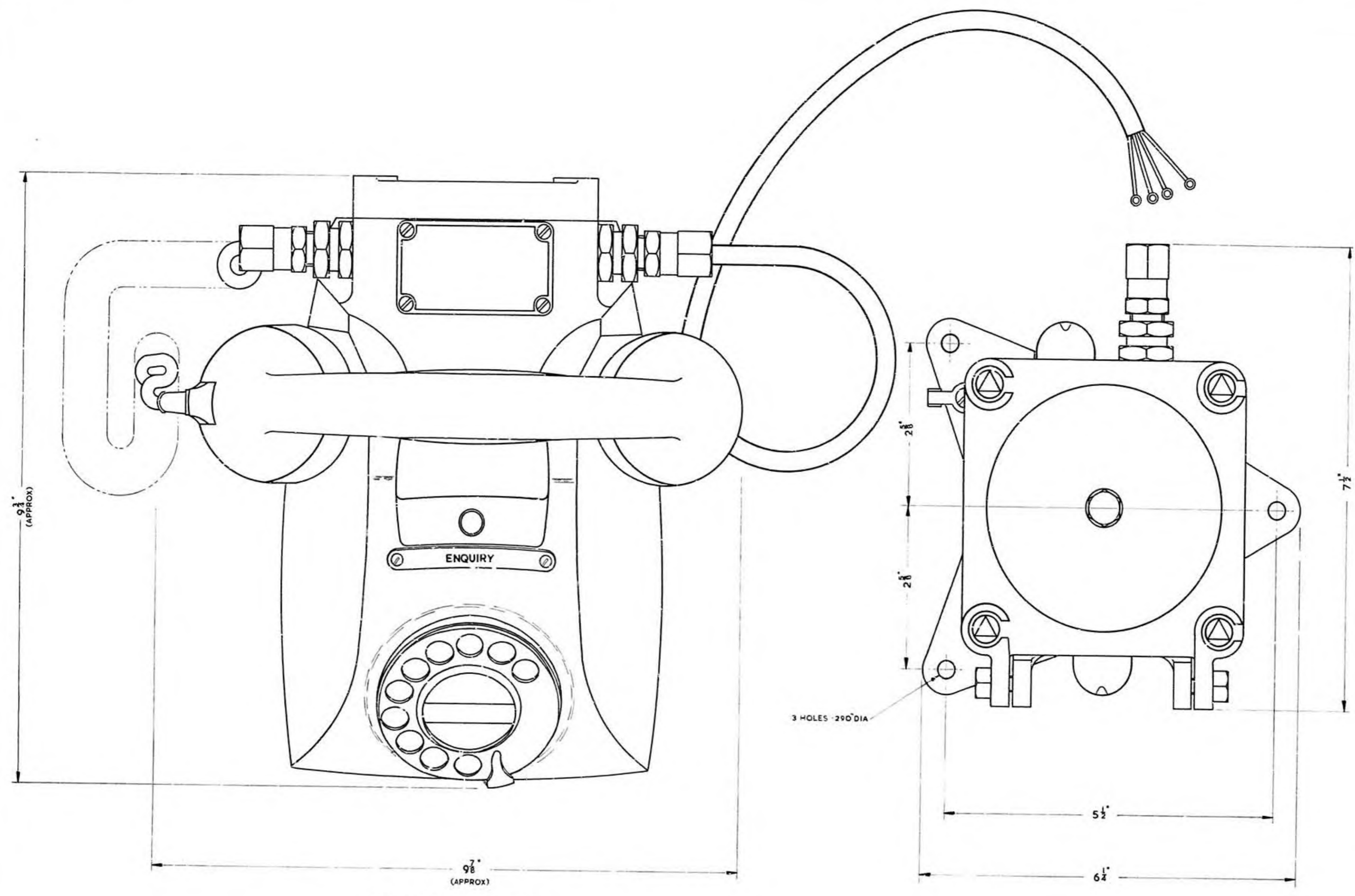
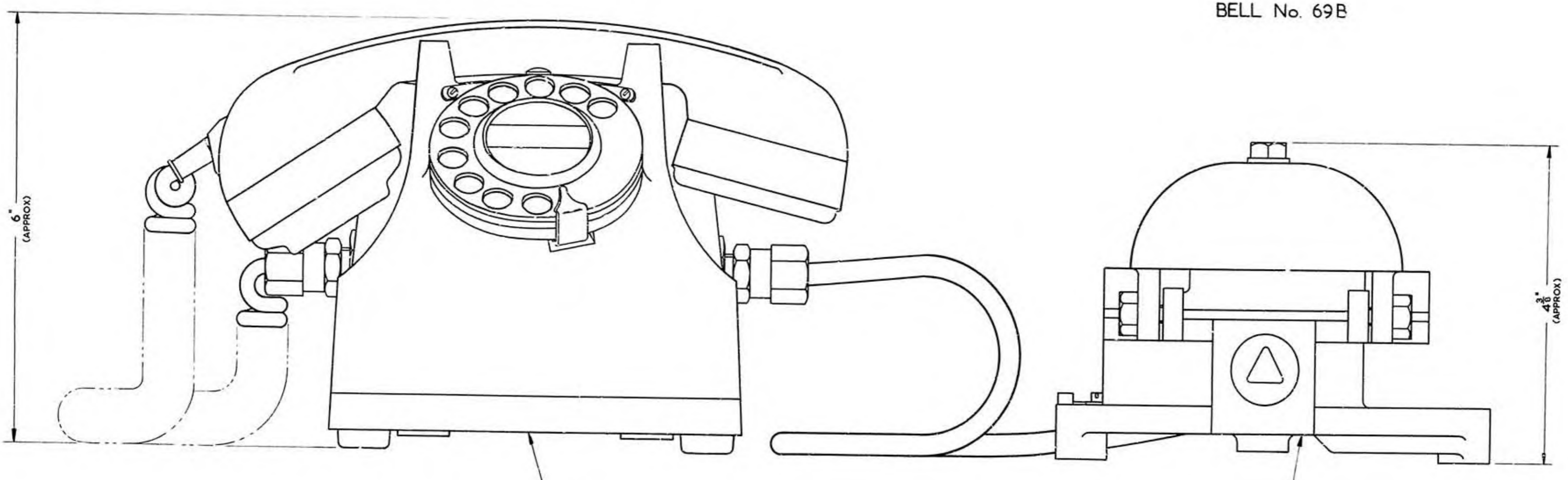


POST OFFICE ENGINEERING DEPT S BRANCH	
DISTRIBUTION GENERAL	
PO	REFERENCES
	SPEC D1000
ASSEMBLY DRG	WIRING DGM
FILE S 2501/B	SPEC —
SCALE 1 AND AS T INDICATED	THIRD ANGLE PROJECTION
DECIMAL DIMENSIONS NOT TOLERANCED SUBJECT TO	
App'd. IN SI SECTION	ORN <i>2/6</i> WCD <i>Ben</i> CKD J.S.L.
	DATE 21-4-61
AMENDMENT	SUFFIX
MARKING AMENDED C.A.C. <i>2/6</i>	<i>1668</i> 18.3.61 A



TELEPHONE No. 702

BELL No. 69B



TYPICAL MARKING  
702 FHB 99/1  
(SEE SPEC. D1000)

TYPICAL MARKING  
69B FHB 99/1  
(SEE SPEC. D1000)

NOTES:-

1. FLAMEPROOF TELEPHONE WITH INTRINSICALLY SAFE HANDSET FOR USE IN GP. I & III A DANGER AREAS; INCLUDES DIAL, AUTO. No. 12 LA (MODIFIED) & 54" OF APPROVED FLEXIBLE CABLE
2. FLAMEPROOF BELL & TERMINAL UNIT FOR USE IN GP. II & III A DANGER AREAS:- INCLUDES GLAND FOR TERMINATING TELEPHONE FLEXIBLE CABLE

FOR SUPERSED

TELEPHONE No. 702  
(MARK 1)  
&  
BELL No. 69B  
(MARK 1)