



A SIEMENS COMPANY

New key telephone system NTX 24

System Features

- Automatic recall
- Automatic extension release
- Distinctive ringing
- Voice paging access
- Distinctive dial tone
- Connection for call logging

Trunk Facilities

- Flexible ringing assignments
- Dedicated incoming trunks
- Outward trunk groups
- Booking a line
- Personal direct lines

Outgoing Call Restrictions

- Trunk line access restriction per extension/line
- Day service/night service restrictions

Internal Features

- Standard telephone for internal use only
- Direct station selection keys*

Display features**

- Dial input verification
- Duration of call
- Time and date
- Timed reminders
- Call forwarding destination
- Message waiting source
- Silent messaging
- Special display keys

Call Hold Features

- Automatic hold-trunk
- Brokers call
- Common/consultation hold
- Music on hold
- Exclusive hold
- Hold call reminder

Conference Features

- Add-on conference
- 4 party internal conference
- Do not disturb

Call Waiting Features

- Call waiting tone
- Call waiting indication to extension
- Call transfer with camp on

Call Forwarding Features

- Call forwarding for internal and external calls
- Follow me
- Call transfer

Message Waiting Features

- Activation by extension
- Automatic cancellation
- Message waiting LED*

Extension Facilities

- Standard telephones
- Busy lamp field (LED's) for trunks and extensions*
- Add-on DSS console with extensions and speed dial keys*

Speed Dialing Features

- Common abbreviated dialing
- Personal abbreviated dialing
- Speed dial keys*
- Last/saved number redial

Voice Calling Features

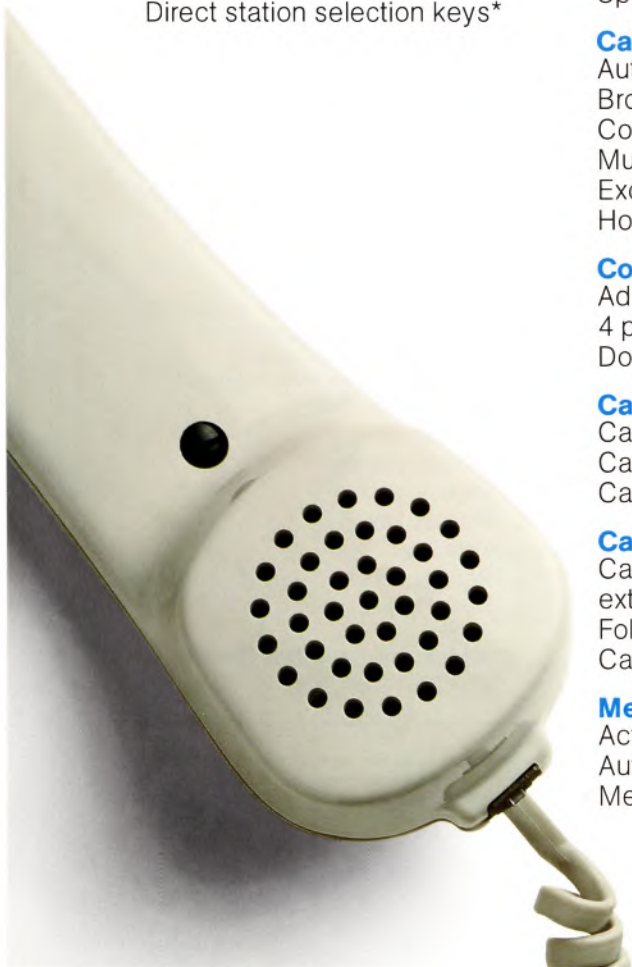
- On hook dialing
- Handsfree answerback*
- Internal paging access
- External paging access

Miscellaneous Features

- PABX recall key
- Release key
- Dial call pick-up
- Enquiry call
- Wall/desk mounting
- Power fail operation

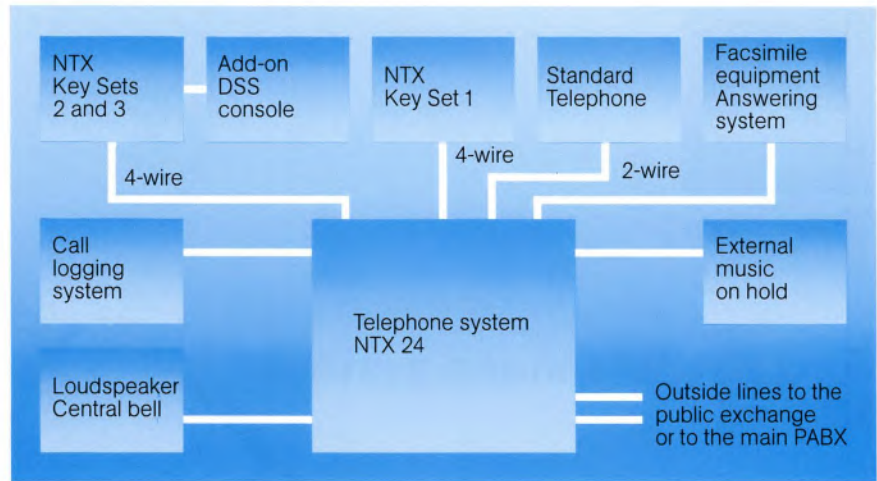
* NTX Key Set 2, NTX Key Set 3

**NTX Key Set 3



The NTX 24


- is easy to use
- saves money and time
- improves image to customers
- raises efficiency of operation



System Layout ▷

Technical Data ▷

APPROVED for connection to telecommunication systems specified in the instructions for use subject to the conditions set out in them.

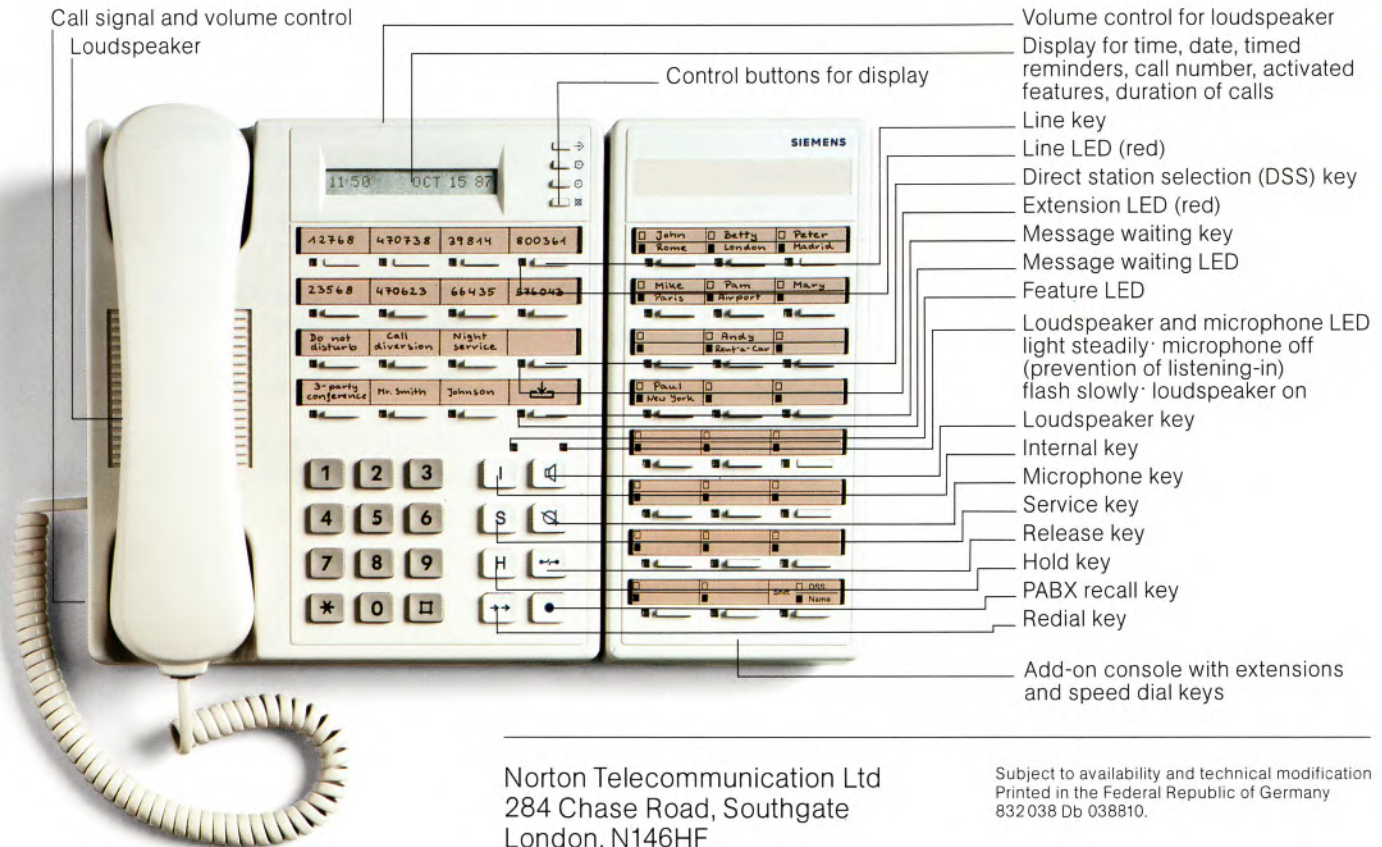
 **NS/1143/3/H/600519**

	NTX 24	
initially equipped for	4 external lines 8 extensions 11 internal links	
expandable by	4 external lines and/or 8 extensions 8 extensions	
dimensions	height 425 mm x width 400 mm x depth 200 mm	
weight	approx. 18 kg	
power supply	ac mains 110V/127V/220V/240V 50/60 Hz, tolerance 94 to 270V	
environmental conditions	room temperature 5 to 40°C rel. humidity max. 90% (40%)	} no forced ventilation required

NTX Key Set 3 with add-on console



Call signal and volume control
Loudspeaker



Norton Telecommunication Ltd
284 Chase Road, Southgate
London, N146HF
Telephone (01) 8866533
Telex 262709
Fax (01) 8827865

Subject to availability and technical modification
Printed in the Federal Republic of Germany
832 038 Db 038810.