

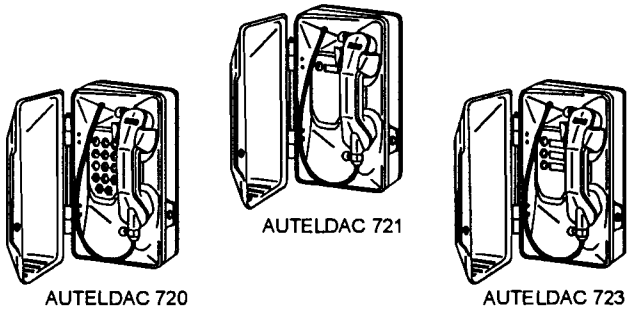


SPECIALISED  
COMMUNICATIONS

# Auteldac 720/72X

Full Dialler and Autodialler  
Weather Resistant Telephones

## INSTALLATION



### SUITABLE FOR WALL-MOUNTING STANDARD VERSIONS

Full Dialler with mute and recall - Auteldac 720

Auto Dialler with single memory - Auteldac 721

Auto Dialler with three memories - Auteldac 723

Other memory versions are available as non-standard

APPROVED for connection to  
telecommunications services specified  
in the instructions for use subject to  
the conditions set out therein  
S/1363/3/P/450919  
S/1363/3/P/502918



## PRE-INSTALLATION

These weather-resistant telephones are to be connected by hard-wiring - (unlike a normal plug and socket on internal telephones). Because of this, extra precautions must be observed.

Where the extension wiring, including PBX's, is owned by a network provider, e.g. BT, connection must be made by the network provider or their approved installer.

Where the extension wiring is not owned by a network provider as may be the case with a PBX/PABX, then connection may only be made by either the network provider or by the authorised maintainer of the PBX/PABX, unless the authorised maintainer has been given 14 days written notice that connection is to be made by another person and that period of notice has expired.

### THE SAFETY OF THE USER/INSTALLER RELIES ON ISOLATION OF THE TELEPHONE NETWORK AND NOT ON THE EARTHING OF THE CASE.

All connections to the telephone should be isolated elsewhere before opening the outer case

The form on the last page may be copied and used to request BT to perform the connection.

## BEFORE INSTALLATION

Auteldac 72X telephones need to have their 'numbers to be called' entered into memory. If one of the numbers is not the 999 Emergency Service the Warning Sticker provided should be attached near the dial pad.

## PREPARATION

Remove the back-plate by slackening the two captive M6 socket head cap screws recessed into the front of the telephone, adjacent to the handset (5mm hex. socket driver required). Remove the back-plate from the telephone casing as though hinged along the lower edge.

Unplug the ribbon cable from the back-plate (if connected) to release the back-plate completely.

**Battery enable link** - the unit is supplied with the battery **ENABLED** .

**Mute before dialling link** - this facility mutes the microphone until dialling has taken place to prevent illicit dialling by means of a Tonepad. The link is supplied **ENABLED**. The muting is overridden by an incoming ringing signal to allow normal call acceptance.

**Timer link** - this facility enforces a fixed call maximum time limit of 6-7 minutes from lifting of handset, after which the unit will revert to on-hook conditions until reset by replacing and removing the handset from it's stowage. This prevents the line remaining tied if the handset is left off-hook.

The link is supplied **DISABLED**.

---

## IMPORTANT

**It is IMPORTANT than the link must always be fitted in one or other position.**

---

**Dialling Security Header** - this plug must be in position before a number can be entered into memory. It is recommended that this is removed after programming for security against illicit dialling.

## CONFIGURING

Select LD or MF signalling by moving the **Dialling Selection Switch** to the right for LD or to the left for MF operation when viewed as in *Fig 1*.

---

**Note:** The switch has a centre **OFF** position, **this should never be used.**

---

## PROGRAMMING (Memory Versions)

**Note:** The required numbers can be programmed whether or not the telephone is connected to the line.

1. Set the Memory Programming Switch firmly to the **PROG** position (*see Fig.1*).
2. Press Store Button momentarily.
3. Press the required Front Panel Button on the telephone facia momentarily.
4. Key in the required number from the keypad on the circuit card (to a maximum of 24 digits).
5. Press the Store Button once again.
6. Finally set the Memory Programming Switch fully back to the **AUTO** position,

*see Fig.1.* The number for the designated position is now entered into memory.

7. Remove Dialler Security Header.

**Note:** If the telephone is left switched to the **PROG** position when the telephone is not connected to a line, then the battery life will be reduced to approx. 1 year against approx. 10 years normal standby life.

The effect of leaving the switch in the **PROG** position when the telephone is connected to the line is that the telephone will remain in the off-hook 'looped' condition even when the handset is replaced, until the Time-out clears down. Although the Memory Programming Switch has a centre position, this should never be used.

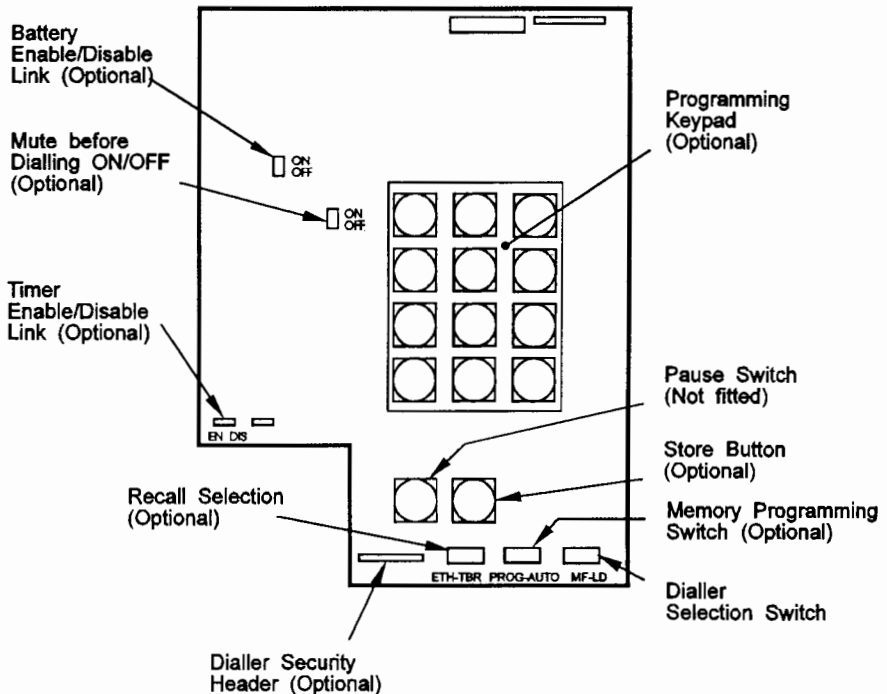
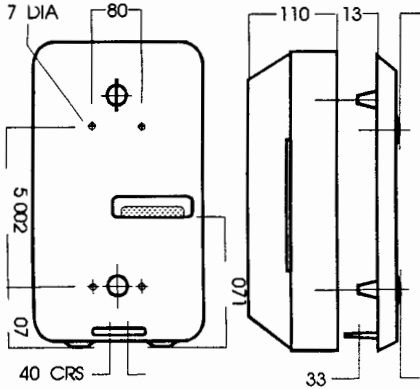


Fig 1

## INSTALLATION

As supplied, the telephone is suitable for **VERTICAL SURFACE MOUNTING**.

For physical details see *Fig 2*.



*Fig 2*

## VERTICAL SURFACE MOUNTING

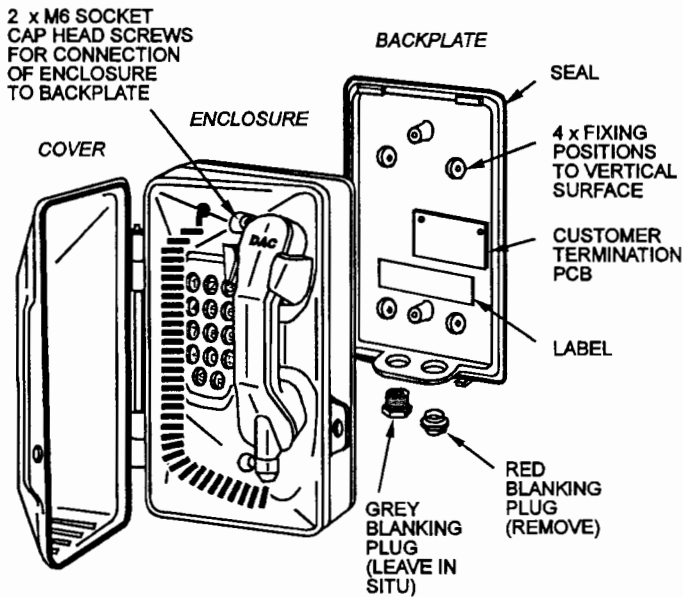
The following parts are included in the standard installation kit:

- 2 x cable glands with sealing washers
  - 4 x No 12 round head wood screws - 1½" long
  - 4x wall plugs
  - 1 x 5 mm socket wrench
1. Place the telephone on its backplate on a firm horizontal surface
  2. Open the cover to reveal 2 x M6 socket cap head screws. See *Fig 3*.
  3. Release the enclosure from the backplate using the 5 mm socket wrench provided.

---

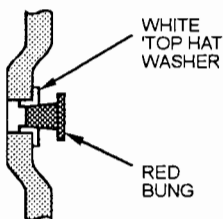
**Note:** Screws are captive in the enclosure

---



*Fig 3*

4. Hold the enclosure firmly whilst releasing the backplate by tilting from the top in a downward motion. A little resistance will be felt from the seal as the enclosure releases from the backplate.
5. Separate the enclosure from the backplate by removing the multi-way connector from customer terminal PCB on the backplate.
6. Remove the RED blanking plug from the cable entry hole leaving the GREY blanking plug in situ.
7. Select the appropriate size gland for the cable used. For cable diameters 4 - 7 mm use the gland having the smallest internal hole. The other gland use for cables of 8 - 13 mm diameter.
8. Insert the selected gland into the threaded cable entry hole and tighten using a 19 mm A/F spanner, so that its sealing washer is compressed against the enclosure surface.
9. Ensuring that the cable entries are at the bottom, remove the RED bung sealing the fixing holes, offer the backplate up to a vertical surface and mark through the fixing holes the required number of fixing positions. Be careful not to damage the nylon 'top hat' washers fixed in the holes (see Fig 4).



Section through fixing holes

Fig 4

---

**NOTE:** DAC strongly recommend the use of all four fixing holes wherever possible

---



---

## IMPORTANT

**DO NOT DRILL ADDITIONAL HOLES IN THE BACKPLATE AS THIS WILL INVALIDATE YOUR WARRANTY**

---

10. Do not use the backplate as a template to drill the holes, work only from the marked positions.
11. Drill the required number of holes in the vertical surface to the appropriate depth to suit the best possible method of fixing with any of the following:
  - Brick/masonry** - Use masonry drill Nr 14 (7 mm dia)
  - Wood** - Use 2.5 mm drill
  - Steel (clearance hole)** - Use 6.5 mm dia drill
  - Steel (tapped hole)** - Use 5.0 mm dia drill and tap M6
12. Ensure all four WHITE 'top hat' washers are in place and a RED bung is fitted where a fixing screw is **NOT** required, before securing the backplate onto the prepared vertical surface.

---

## IMPORTANT:

**DO NOT** use countersunk headed fixing screws. Only screws such as round head, hexagon head or pan head are suitable

---

13. Ensure the backplate is securely attached to the vertical surface.
14. Insert the cable through the gland body and screw down the gland nut sufficient to clamp the cable and make a seal.  
**Note: Max. conductor size 1.5 mm.**
15. Connect the individual wires from the cable to the PCB on the backplate according to the instructions given on the label.

16. Offer the enclosure to the backplate and reconnect the main PCB to the customer termination PCB.
17. Locate the bottom edge of the enclosure to the backplate and gently press upwards to seat the enclosure against the backplate.
18. Hold the enclosure in place and open the cover.
19. Locate the 2 x M6 socket cap head screws into the tapped holes in the backplate and tighten down to make a seal. **Note: Max. torque 2.5 Nm.**

## TESTING AND OPERATION

Lift the handset and listen for an exchange dial tone. If no dial tone is present, check that the telephone line connections are correctly made at the terminal block. Replace the handset in its cradle and check that the dial tone has ceased. Make a call by lifting the handset and pressing the required button or dialling a full number. The appropriate number will then be dialled.

Arrange for the called party to ring back to check the electronic ringing (a shrill warble tone). If applicable, check with the appropriate monitoring station that the handset integrity link is indicating correctly.

## MAINTENANCE

Under normal operation, the telephone is maintenance free, except for the lithium battery which requires renewing after ten years or so.

## RINGER EQUIVALENC NUMBER (REN)

Exchange lines provide only a small amount of current to make telephones connected to them ring. In order to ensure that telephones ring properly, the number of instruments that can be connected to one line is limited. All telephones have a Ringer Equivalence Number (REN) - Auteldac 720/72X telephones have a REN of 1. The sum of the REN numbers of telephones connected all onto one line should not

exceed 4. So four REN 1 telephones could be connected, OR two REN 1.5 telephones plus a REN 1 could be connected and so on. When '3-wire' connected with a non Auteldac 720/72X telephone, full performance cannot be guaranteed. DAC recommend that any non Auteldac 720/72X telephones be connected by the '2-wire' method.

## BELL TINKLE

Auteldac 720/72X telephones may cause bell tinkle if connected in parallel with other telephones using a 2-wire connection system.

## SUITABILITY FOR USE

Auteldac 720/72X telephones are suitable for connection to the following types of telephone line.

Direct PSTN	PABX Exch	Manual Exch	Private System	Payphone Extension
✓	✓	✓	✓	✗

Connection may not be made to shared service (party) lines.

## INSTALLATION LABEL

Any usage other than those indicated will invalidate the approval of the telephone, if as a result it then ceases to conform to the standards against which approval was granted.

The telephone is only approved for use as an extension instrument to compatible PBX's. If required, an up to date list of compatible PBX's is available on request, however, it cannot be guaranteed that the telephone will operate correctly under all possible conditions of connection to compatible PBX's. Any cases of difficulty should be referred in the first instance to DAC.

Whereas the basic full dialling model of telephone is suitable for connection to a PABX which returns secondary proceed indication, the autodialling model is not suitable.

## REQUEST FOR INSTALLATION

Dear British Telecom

I am now an owner of an Auteldac 72x Series Weather Resistant Telephone.

Please arrange for an engineer to come and fit this telephone as soon as possible.

I understand there will be a charge for the work.

Address \_\_\_\_\_

\_\_\_\_\_ Telephone Number \_\_\_\_\_

Telephone number (for contact if different from above) \_\_\_\_\_

Name \_\_\_\_\_ Date \_\_\_\_\_

Model No \_\_\_\_\_ Approval No. \_\_\_\_\_

Approval Nos:

Auteldac 720 Weather Resistant Telephone - Full Dialler - S/1363/3/P/502919

Auteldac 72x Series Weather Resistant Telephone - Autodialler - S/1363/3/P/502918

---

**DAC Ltd, Shobnall Street, Burton Upon Trent, Staffordshire, England, DE14 2HD**

UK Tel : (01283) 500500

UK Fax : (01283) 500400

Intl. Tel : +44 1283 500500

Intl. Fax : +44 1283 500400