

Robust Construction

- All Weather Protection
- Vandal Resistant
- Highly Reliable Operation
- Easy Install & Maintenance
- Industrial Temperature Range
- Web Server Configuration
- TUFF Handset
- Full Keypad or CB Variants
- Curly Cord or Steel Cord
- Available with NR 1 Lock



Network Interface

Network Interface	Features
VOIP	POE, SIP, Echo / Noise Cancelling, WEB interface, Self Testing, DHCP enabled, Calling Groups
GSM	Full / Half Duplex, Remote Configuration, SMS Reporting
GSMR	Network Rail, Remote Configuration, SMS Reporting, Functional Numbers enabled
Analogue	Full / Half Duplex, Line Powered (no additional power supply required)

RA708 telephones are fully contained within a corrosion resistant cast aluminium weatherproof case, with a self-closing door providing complete protection against dust and moisture ingress. The unique TUFF handset is manufactured from moulded polyurethane and designed specifically to withstand arduous use in all environments.



Available with an armoured cord, if required, to provide increased resistance to vandalism or heavy industrial use. The RA708 telephone is designed for use by the railways, highways, power stations, public service, defence, and all heavy industry.

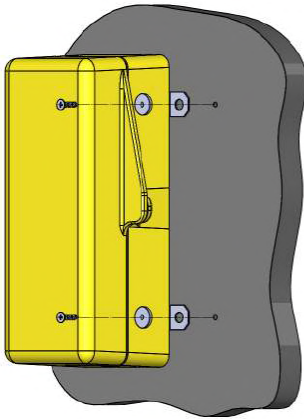
Powder coat finish available in standard Grey or Yellow colour, providing a durable and resistant finish, yet easily cleaned. RA708 telephones can be wall mounted, post mounted or mounted on the side of a pole by utilising a specially designed bracket.

sales@daclimited.co.uk

Installation is quick and simple via M20 glands on to fast-fit connectors which are accessed without having to dismantle the telephone body.

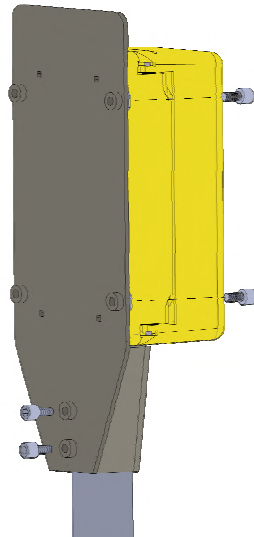


Mounting options:



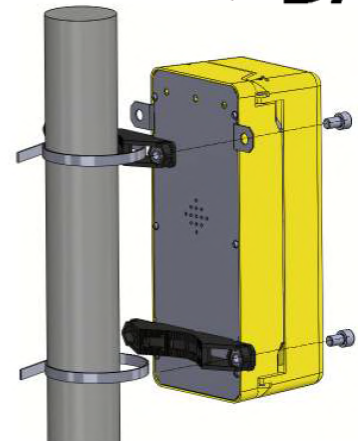
Wall mounting:

Use reducing washers
supplied with telephone



Top of pole mounting:

Top of pole mounting
bracket available from DAC:
087/073316 – Grey
087/073315 – Yellow



Side of post mounting:

Bracket kit (bands not
provided) – 087/073314

Speech/ Network Interface:

VOIP, GSM, GSM-R, Analogue

Ringin

Frequency modulated, piezo transducer, cadence
as per incoming ringing. REN 1.0, speaker.

Power Supply options:

Line powered [PSTN], POE [VoIP], DC [VoIP, GSM], battery pack
[GSM], solar & wind power [GSM].

Time out:

Programable

Temperature:

Operating: -30° C to +60° C

Storing: -40° C to +70° C

Relative Humidity:

Up to 95% (non-condensing)

Casing Material:

Robust cast aluminium.

Weight:

3.5kg

Colours:

Standard yellow or grey durable powder coat.
[custom colours available].

Safety:

Manufactured to BS EN 60950

EN55022:1998 (EMC - Emissions)

EN50121-4: 2016 +A1:2019 (EMC compatibility – railway)

ITU-T K21 (Resistibility of telecommunications
equipment to over voltages and over-current)

Protection:

Dust and liquids – IP65

