

USER GUIDE
for
RA708 Series
Auto Weatherproof Telephones



R A C A L A C O U S T I C S

General

This modern electronic pushbutton weatherproof telephone from Racal Acoustics Ltd. can be used almost anywhere, in almost any type of weather.

It has been designed for use with:-

- a) Loop disconnect (LD) or dual tone multi-frequency (MF) type of dialling
- b) Earth or timed break recall

It is NOT suitable for use on party line installations or as an extension to a pay phone.

As supplied, your telephone is set for loop disconnect (LD) pulsing and earth recall (for PABX use only). For multi-frequency (MF) pulsing or time break recall it is necessary to reset switches as detailed under "Line Connection".

The telephone can be connected to a direct exchange line (i.e. a line exclusive to the meter and not "shared"), to an extension of a direct exchange line or to an extension on certain types of PBX. In each case, connection is effected by plugging in to the appropriate socket.

If your telephone connection is not fitted with new telephone sockets contact your approved telephone installer or the telephone network supplier (using the postcard provided).

If this method of connection is inadequate because for example the telephone is to be mounted outside, where new sockets are not intended to be used, arrange for your telephone network supplier to directly connect the telephone instrument (using the postcard provided).

The telephone should operate correctly when connected to most compatible PBXs. Any cases of difficulty should be referred to your local supplier of the Weatherproof Telephone.

The following Weatherproof Telephones are approved in the United Kingdom under the approval no. S/3064/3/H/452766:-

RA708/1 - Class A impedance & curled handset cable

RA708/5 - Class B impedance & curled handset cable

RA708/14 - Class A impedance & armoured cable

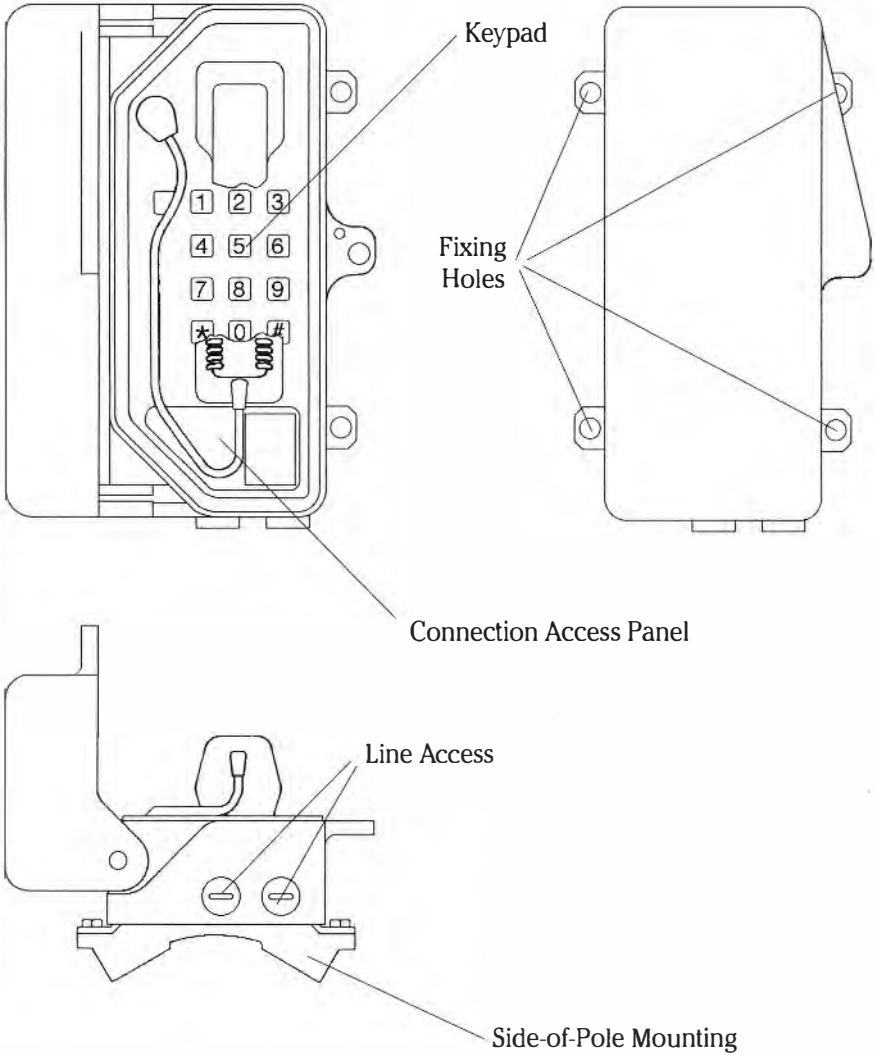
RA708/20 - Class B impedance & armoured cable

If in doubt as to which type of instrument you are to use, contact your supplier.

RA708/1 & RA708/14 are suitable for connection to any 50V, complex impedance (Class A) exchange.

RA708/5 & RA708/20 are suitable for connection to any 50V, simple impedance (Class B) exchange.

Front Panel Layout



Installation

The telephone can be fixed to any vertical flat surface or to a post or pole.



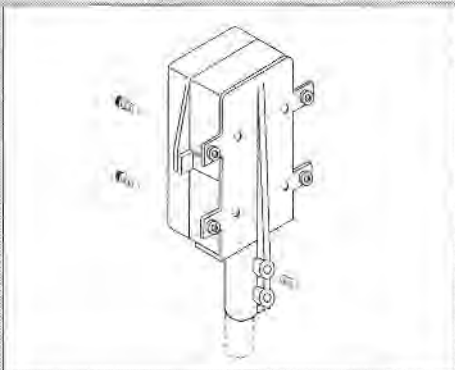
Wall Mounting

- i) Discard adaptor bracket attached to the backplate.
- ii) Screws or bolts through the outer holes in the backplate are used to secure the telephone to the wall.



Pole or Post Mounting

- i) Band adaptor bracket at required height to pole.
- ii) Attach telephone to bracket using bolts provided.
- iii) Band lower bracket to pole.



Top of Pole Mounting

- i) Place the top of pole mounting over the top of the pole.
- ii) Tighten the grub screws to secure the mounting
- iii) Discard adaptor bracket attached to telephone backplate and secure telephone backplate to top of pole mounting by screws provided.

Line Connection

The number of telephones which can be connected to a direct exchange line PBX extension is limited by the ringer equivalence number (REN) of all the telephones connected, which should not exceed a total value of 4. The REN value of this telephone is 1. In case of doubt consult your supplier. The telephone is supplied factory set to loop disconnect.

The following information is provided for use by your approved telephone installer or network supplier.

The mode selector switches are located behind the lower front cover, and are not user accessible. Mode switch setting:-

- i) Left hand switch - signalling
 - 'T' (up) - Tone MF
 - 'P' (down) - Pulse LD
- ii) Right hand switch - Register Recall
 - 'TB' (up) - Time Break
 - 'E' (down) - Earth

Terminal Connections

Terminal

- 1 - Line (B)
- 2 - } Link to internal bell capacitor (when master socket is not used)
- 3 - }
- 4 - Bell shunt/external bell
- 5 - Earth (for PBX recall)
- 6 - Line (A)/external bell
- 7 - } Handset loop (for remote monitoring purposes)
- 8 - }

External Bell

All bells must be approved for connection to PSTN, if telephone is connected to PSTN.

Operating Procedures

To make a call

- i) Open the door and lift the hand set.
- ii) On receipt of the dialling tone, dial number required.
- iii) At the end of the call replace the handset onto the hook switch and close the door.

Hotline

Where a PBX has the facility to provide a pre-programmed 'hotline' connection, the dial procedure is not used. To make a call, lift the handset and await answer.

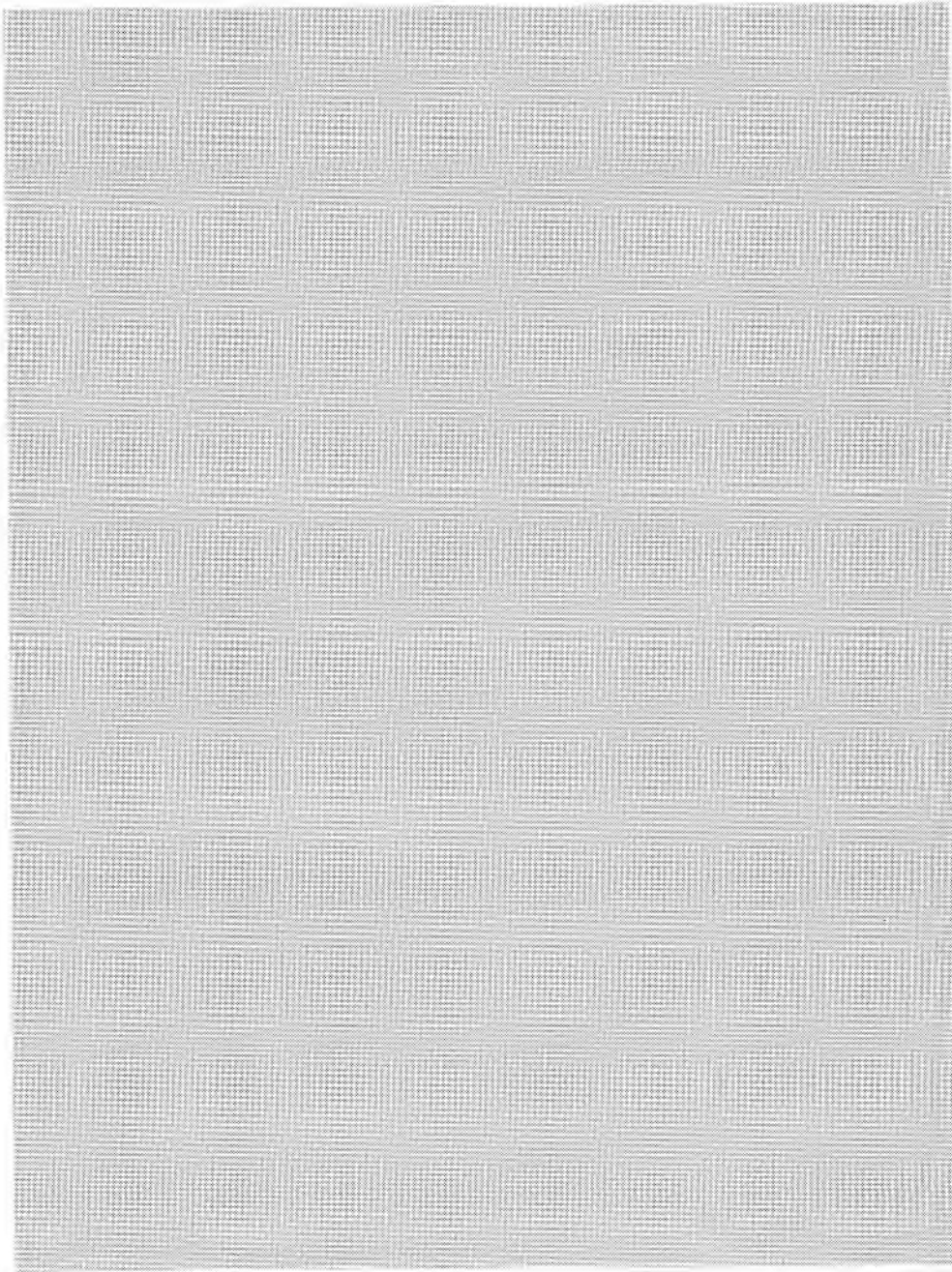
To answer a call

- i) When the ringer sounds, open the door and lift the handset.
- ii) At the end of the call replace the handset onto the hook switch and close the door.

To transfer a call

(certain types of PBX only)

- i) Press recall key marked 'R'.
- ii) On receipt of the dialling tone, dial number of required extension.
- iii) When the call is established replace the handset onto the hook switch, where upon the call will be automatically transferred. Close the door.



Available Options

1. Armoured cable handset
2. Padlock hole in door
3. Latching door
4. Connection glands
5. Telephone logo
6. Noisy environment tone caller
7. Top of pole mounting kit
8. Yellow or grey colour

APPROVED for connection to telecommunication systems specified in the instructions for use subject to the conditions set out in them

S/3064/3/H/452766



Racal Acoustics Limited

Waverley Industrial Park, Hailsham Drive,
Harrow, Middlesex HA1 4TR, England

Tel: 081 - 427 - 7727 Telex: 926288

Fax: 081 - 427 - 0350

RACAL