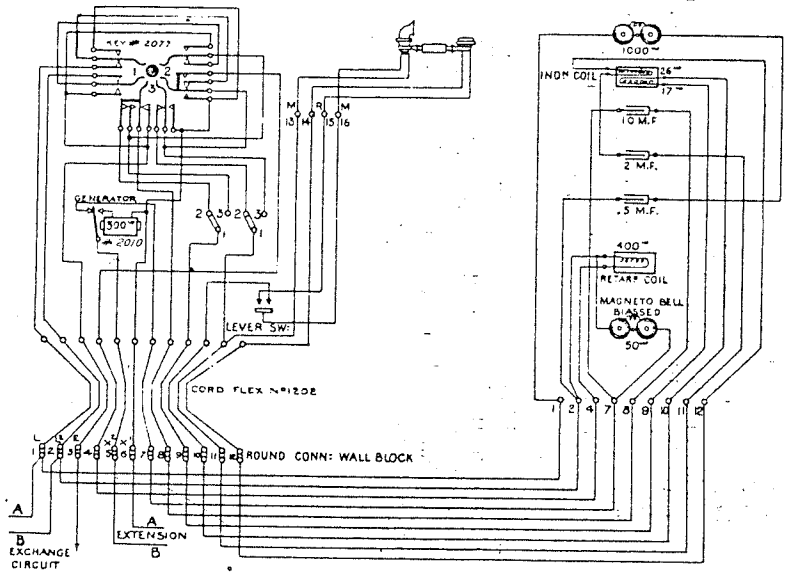


=N106  
1/2

N<sup>o</sup> 6. TELE. TABLE,  
C.B. INTERMEDIATE, WITH GENR.

BELL SET,  
MAGNETO  $\frac{2}{3}$  C.B.



CONNECTIONS OF SUBSCRIBER'S CIRCUIT  
WITH SINGLE EXTENSION, GIVING  
INTERCOMMUNICATION, AND WITH OR  
WITHOUT SECRECY. TABLE TELEPHONE  
AT MAIN SET.

E N 106  
2/2

APPARATUS SCHEDULE.

*Main Set.*

Telephone No. 6. The description includes Cord, Flexible, No. 1202; Intermediate Switch (Key Type 2077); and Block, Flexible Cord Connection, 12-terminal. These instruments have now been fitted with a fixed C.B. Transmitter, Receiver Rest, and Receiver, Bell, "D," with Cord, Flexible, No. 222.

Bell Set No. 3 (Bell Set, Magneto,  $\frac{2}{2}$  C.B.).

The description includes 2 Bells, Magneto—one 1,000 ohms, the other 50 ohms (biassed); Coil, Retardation, 400 ohms, Type 2010 F; Coil, Induction, Type 2203; and 3 Condensers, metal-cased, 5 m.f., 2 m.f., and 10 m.f.

See Plates 11, 12, and 14 for Extension Sets; and Plate 11 for the Wall Set equivalent of the above.

All connections are shown as if looking at the fronts of the sets, except the Key, which is shown as if seen from the back.