

CIRCULATION

C.B. AUTO

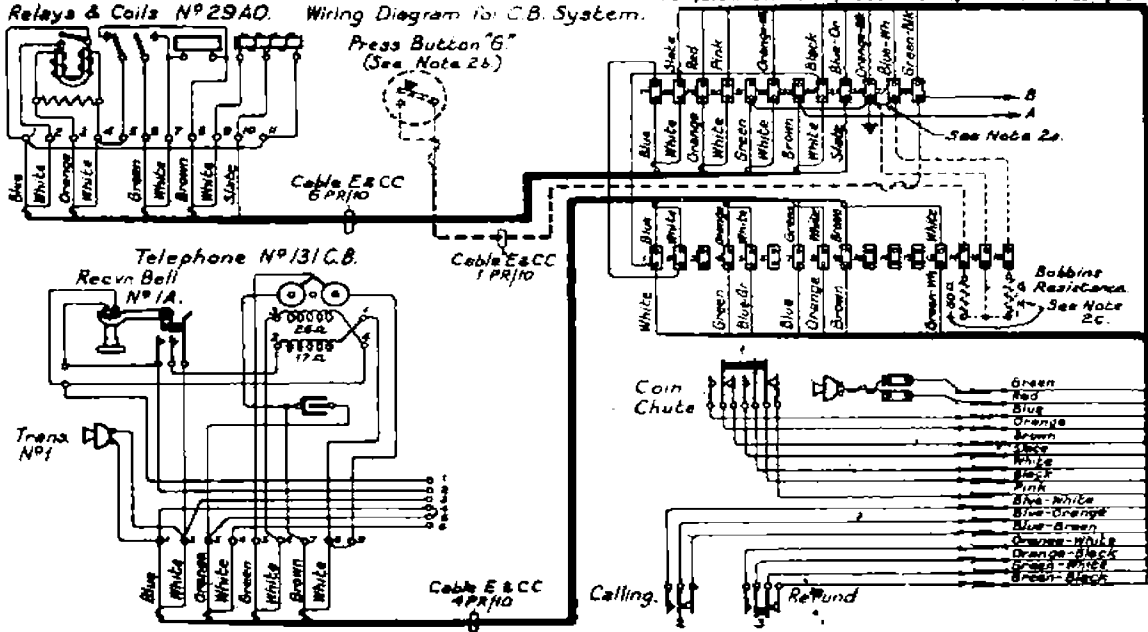
## CALL OFFICE CIRCUIT.

N.1170.

Revised by N.1170 for new work  
18.12.30BOX, COIN COLLECTING No. 14 COMPLETE, OR BOX, COIN COLLECTING No. 14A  
COMPLETE WITH TELEPHONE No. 131 C.B.

Box, C.C. No. 14 complete or Box, C.C. No. 14A complete.

Relays &amp; Coils N° 2940. Wiring Diagram for C.B. System.



Dist. No. C.B. 1422 de la C.B.  
Suppression photograph  
N° 1 Box C.C. No. 14A added.

Y

## NOTES:-

1. Remove strap and connect Extension Bell between terminals 8 & 9 on Tele. No. 131 C.B. when required.
2. When emergency calling facilities are required
  - (a) Remove strap between terminals 27 & 28 on Box Cash No. 8.
  - (b) Fit "Press Button 'G' Brass, with watertight barrel" and connect as shown in dotted line.
  - (c) Fit "Bobbin, Resistance 50 ohms" and "Bobbin, Resistance 'x' ohm" by means of two screws No. 4 BA. Rd. Hd.,  $\frac{5}{16}$ " long, to the extension of connection plate in Box Cash No. 8. and connect as shown in dotted line.  
The resistance of "Bobbin, Resistance 'x' ohm" should be 350 ohms for 22v. system and 1000 ohms for 30v. system.
3. To convert to Automatic System:-
  - (a) Recover Relays and Coils No. 29 A0 and Cable E. & C. C. 6pr/10.
  - (b) Where Emergency calling facilities are provided, recover Press Button "G", Bobbins Resistance and all wiring shown in dotted line.
  - (c) Remove Frame Notice No. 7, Instruction Card and dial aperture cover from Tele. No. 131 C.B.
  - (d) Fit Mounting, Dial Automatic, No. 7, remove strap between dial terminals 4 & 5.  
Fit Dial Automatic No. 11... and connect dial as shown on Diagram A.T. 2203. (N. 1175)  
For making the dial connections, five  $2\frac{1}{2}$ " lengths of bare copper wire No. 20 S.W.G with  $1\frac{1}{2}$ " lengths of insulating sleeving in the following colours, viz., Blue, Slate, Brown, Pink, Orange, also one 4" length of wire and 3" sleeving coloured Black, all wires having  $\frac{1}{8}$ " eyelets formed at the ends, will be found inside the Telephone wrapped in paper and tied to the dial mounting fixing screws.
  - (e) Rearrange straps on connection plate in Box Cash No. 8 or No. 14 as shown on Diagram A.T. 2203. (N. 1175)
4. Other Diagrams referring:-

Call Office Circuit, Box, C.C. No. 14 complete with Tele. No. 131 C.B. & Box, C.C. No. 14A, complete with Tele. No. 131 C.B. or 132 C.B. Explanatory Diag. for C.B. System	} Diagram C.B. 1424. (N. 1172)
Telephone No. 131 C.B. Diagram C.B. 1429. (N. 231, Panel 1.)	
Relays and Coils No. 29 A0. Diagram C.B. 1428. (N. 1187)	
Box Coin Collecting No. 14. Mechanism. Diagram E.C. 1415. (N. 1185)	
Schedule of Tests to prove the correct operation of Box, Coin Collecting No. 14, complete & Box, C.C. No. 14A, complete, in C.B. System. Diagram N. 1173.	