

TELEPHONE N° 115

WIRING DIAGRAM FOR MANUAL (C.B.) CIRCUITS

AMENDED TO PROVIDE EMERGENCY CALL.

N. 215. C. 6. 2. 24.

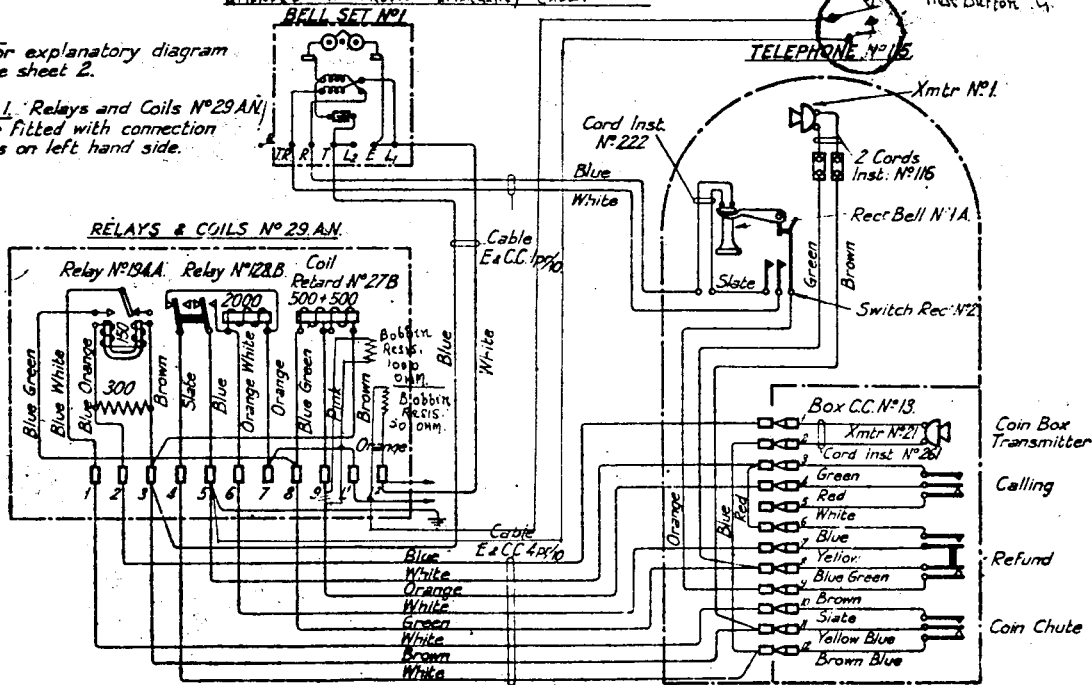
C.B. 125B (3 Sheets)

SHEET 1

Press Button "G"

For explanatory diagram see sheet 2.

Note 1. Relays and Coils N° 29 AN/ to be fitted with connection plates on left hand side.



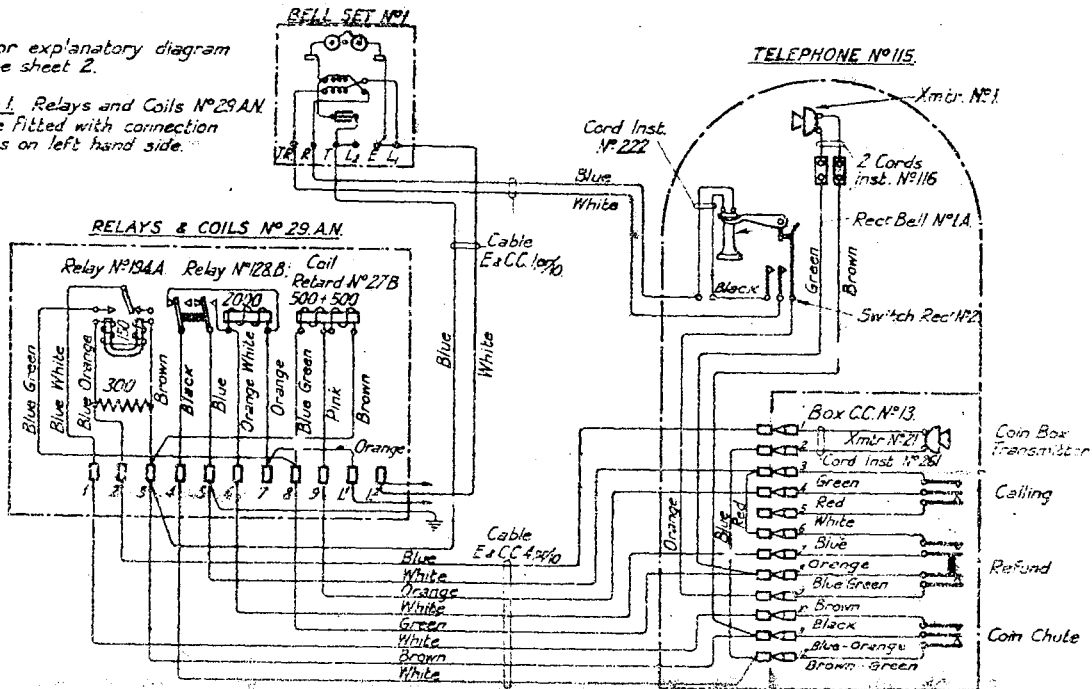
TELEPHONE N° 115

WIRING DIAGRAM FOR MANUAL (C.B.) CIRCUITS

N. 215^D 6.2.24
C.B. 1258^P (3 Sheets)
SHEET 1.

For explanatory diagram
see sheet 2.

Note 1. Relays and Coils N° 29 A.N.
to be fitted with connection
plates on left hand side.



P.T.T. 154.932.000.9/28

Masby & Sons, Photo Litho

TELEPHONE N° 115

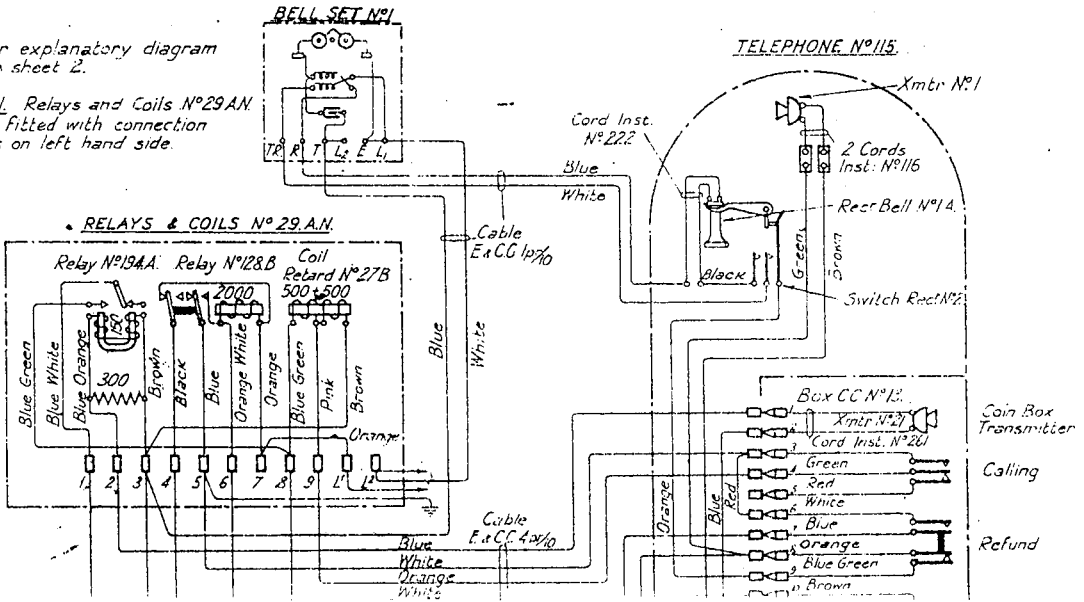
WIRING DIAGRAM FOR MANUAL (C.B.) CIRCUITS

N. 215.^G 6. 2. 24.
C.B. 1258^G (5 Sheets)
SHEET. 1.

12876, 02-626, 4300, 10/10/29
 M.C.B.

For explanatory diagram see sheet 2.

Note 1. Relays and Coils N° 29.A.H. to be fitted with connection plates on left hand side.

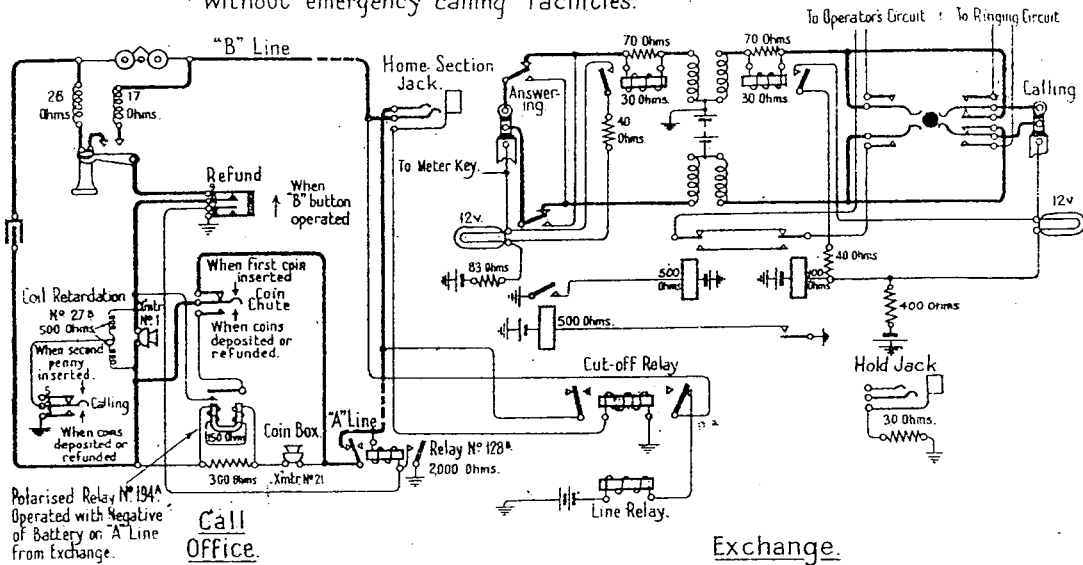


Malby & Sons, Print.

TELEPHONE NO 115.
WITH BOX, COIN COLLECTING, NO 13.

N. 215^G
C.B.1258^G 15.6.26
Sheet 2 (5 Sheets).

Explanatory Diagram for C. B. Circuits
without emergency calling facilities.



Polarised Relay No 194A
Operated with Negative
of Battery on "A" Line
from Exchange.

Call
Office.

Exchange.

Note- All contacts shown in normal position.

775-2-115-13

Malby & Sons, Photo-Litho

TELEPHONE N°115

N.215.⁶

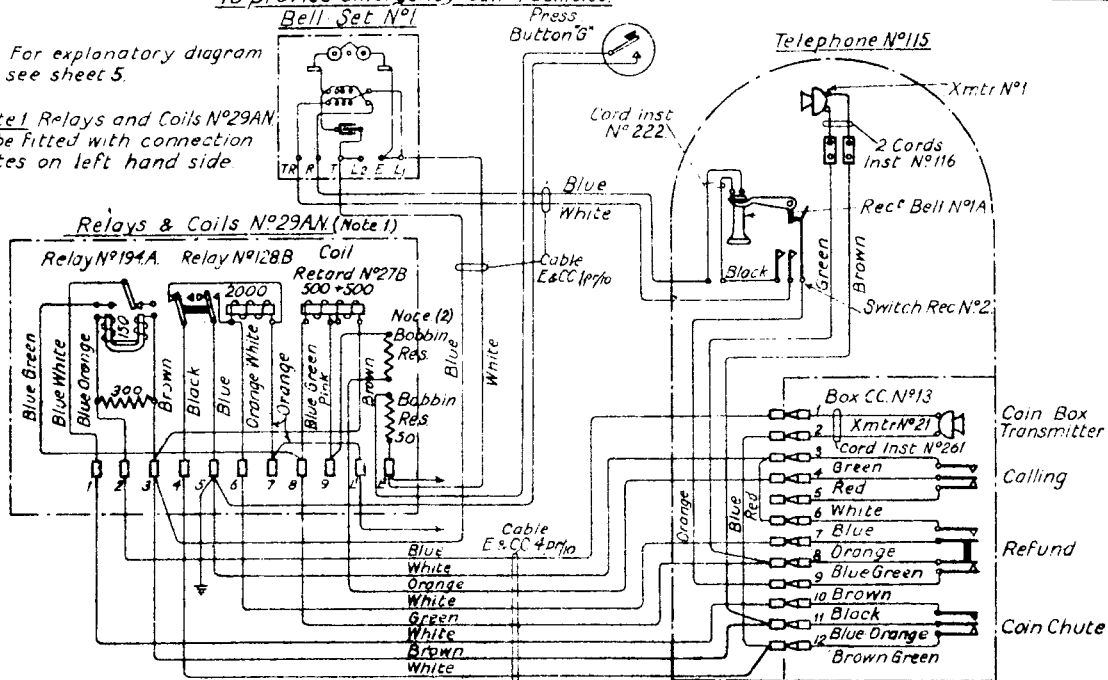
Wiring diagram for Manual (C.B.) Circuits
To provide emergency call facilities.

CB.1258⁶ (5 Sheets)

Sheet 4. 6.3.29

For explanatory diagram
see sheet 5.

Note 1 Relays and Coils N°29AN
to be fitted with connection
plates on left hand side.



Note (2) A 1000 ohm bobbin should be fitted when a connection is to a 40V exchange.
A 350 ohm bobbin should be fitted when connection is to a 22V exchange

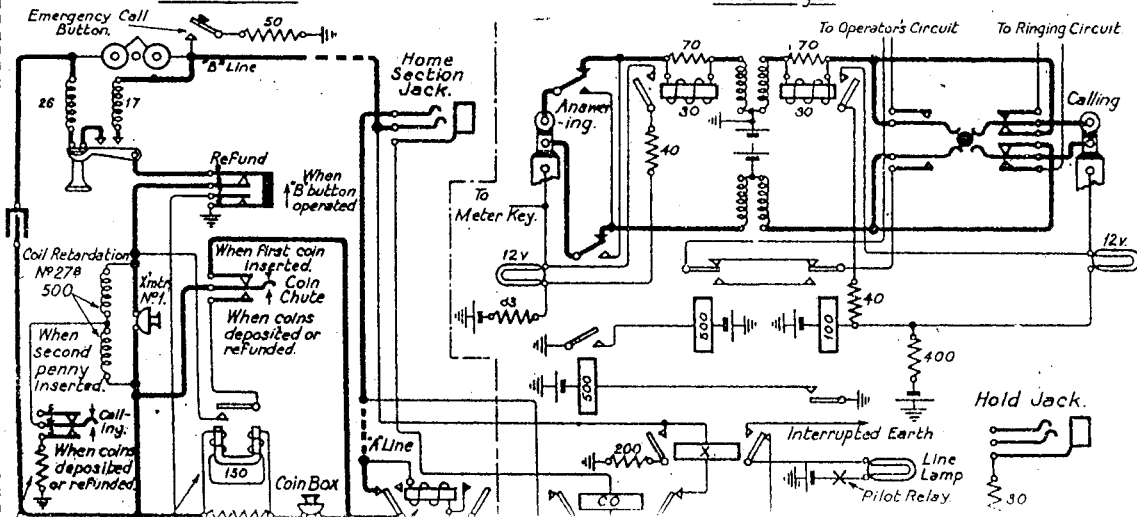
TELEPHONE N° 115. WITH BOX, COIN COLLECTING, N° 13.

N.215^G
C.B. 1258^G (5 Sheets)
Sheet. 5. 7-9-29

Explanatory Diagram For C.B. Circuits, with Emergency Calling Facilities.

Call Office.

Exchange.



22820-115

22876

Malby & Son

R. Brough

TELEPHONE No. 115 WITH BOX, COIN COLLECTING, No. 13.

N 215.

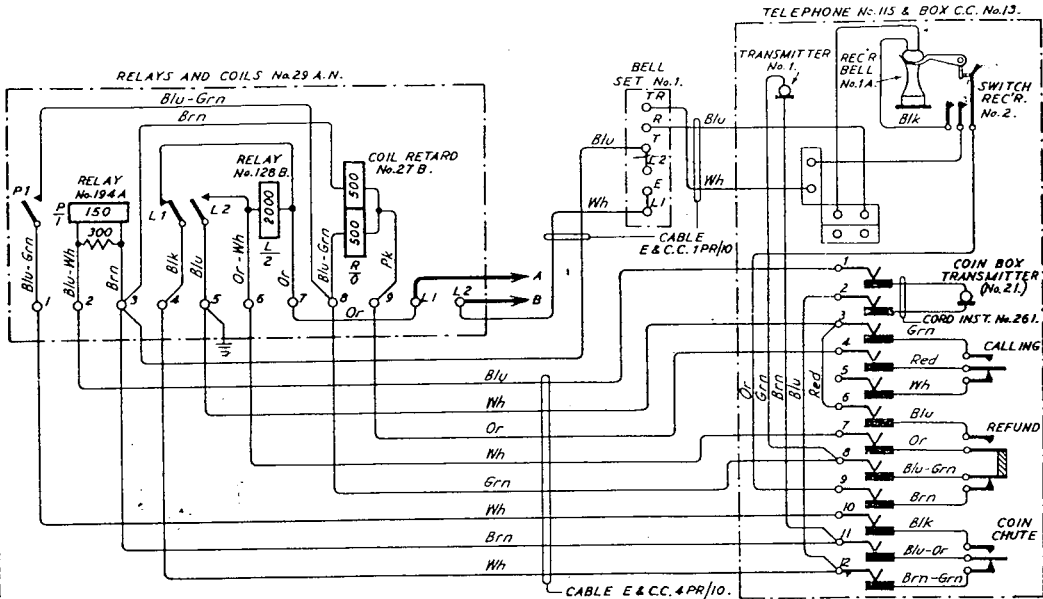
WIRING DIAGRAM FOR C.B. CIRCUITS
WITHOUT EMERGENCY CALLING FACILITIES.

5-2-24
SHEET 1 (3 SHEETS)
SUPERSEDED FOR NEW
WORK BY N 2406.

REGULATION
C.B. AND AUTO.

Amendment
Revision, title amended & Supersession Note added, 10-6-37, H
Note 1 & 2 of No. C. 1258 omitted (S.N.S. 2 & 3 red.)
See Superseded Tracing.

Y

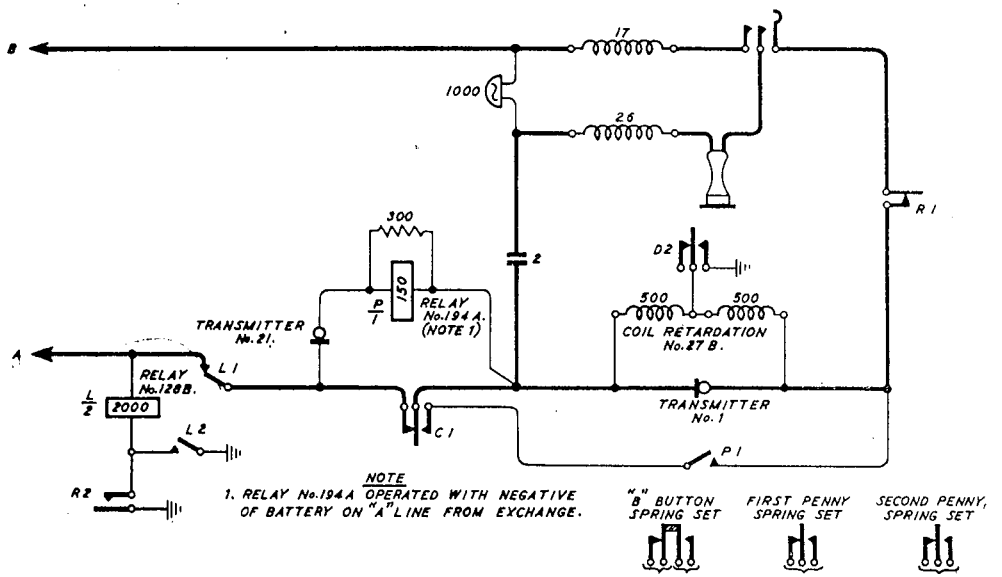


CIRCULATION
C.B. AND AUTO

Amendment				
	150			
	40-637	H		
Revisions & Supplementation Note: address: Corp. Cct. & Drawn No. C.B. 1258 submitted (Sheet 1/3) on 6/27/19 Spec. Suppl. 1/2/2010				

TELEPHONE No. 115 WITH BOX, COIN COLLECTING, No. 13.
EXPLANATORY DIAGRAM FOR C.B. CIRCUITS
WITHOUT EMERGENCY CALLING FACILITIES.

N 215.
15-5-26
SHEET 2 (3 SHEETS)
SUPERSEDED FOR NEW
WORK BY N 2406.



CIRCULATION

C.B. & AUTO.

TELEPHONE No. 115 WITH BOX, COIN COLLECTING, No. 13.

N 215

JULY 1926

SHEET 3.

(3 SHEETS).

SCHEDULE OF TESTS TO PROVE THE CORRECT OPERATION OF PREPAYMENT MULTI-COIN BOX.

MANUAL SYSTEM (C.B.)

SHEETS 1 & 2 SUPERSEDED FOR
NEW WORK BY N 2406.

OPERATION	TEST FOR	CONDITIONS IF CIRCUIT & APPARATUS ARE CLEAR OF FAULTS.
1. REMOVE RECEIVER	CALLING CIRCUIT CONDITIONS ...	EXCHANGE SHOULD NOT RECEIVE CALLING SIGNAL.
2. INSERT TWO TOKENS	CALLING CIRCUIT CONDITIONS ...	EXCHANGE OPERATOR ANSWERS. NOTE:-IF EXCHANGE DOES NOT ANSWER, TEST LINE FOR REVERSAL OF A AND B WIRES.
3. PRESS BUTTON "B"	(a) REFUNDMENT OF TOKENS ... (b) DELAYED RETURN OF SPRINGS OPERATED BY "B" BUTTON.	(a) TOKENS REFUNDED. (b) EXCHANGE RECEIVES CLEARING SIGNAL FOR ABOUT SEVEN SECONDS.
4. *INSERT TWO TOKENS AFTER ASKING OPERATOR TO NOTE THAT GONG SIGNALS ARE HEARD.	CORRECT OPERATION OF (WIRE) GONG SIGNAL.	OPERATOR HEARS CORRECT (PENNY) GONG SIGNALS.
5.-(a) ASK OPERATOR TO CONNECT CALLING CORD TO "HOLD" JACK AND TO TAKE DOWN CONNEXION WHEN CLEARING SIGNAL RECEIVED. (b) PRESS BUTTON "B"	(a) OPERATION OF POLARISED RELAY. (b) OPERATION OF REFUND RELAY (No. 128 B)	(a) CALL OFFICE TELEPHONE TRANSMITTER SHORT CIRCUITED. (b)-(1) LINE DISCONNECTED AND PERMANENT CLEAR GIVEN TO EXCHANGE (2) REFUND RELAY RESTORES WHEN EXCHANGE CLEARS
6.-(a) REPEAT 1 AND 2 (b) ASK OPERATOR TO CONNECT CALLING CORD TO "HOLD" JACK. (c) PRESS BUTTON "A"	(a) AS ABOVE (b) OPERATION OF POLARISED RELAY. (c)-(1) DEPOSIT OF TOKENS ... (2) REMOVAL OF SHORT CIRCUIT FROM TELEPHONE TRANSMITTER BY OPENING OF CONTACTS 10 & 11.	(a) OPERATOR ANSWERS. (b) CALL OFFICE TELEPHONE TRANSMITTER SHORT CIRCUITED. (c)-(1) TOKENS DEPOSITED. (2) OPERATOR CAN HEAR CALLER.

H
1737

Redrawn and Dual No. C.B. 1258
omitted. (Sheets 1 & 2 redrawn)
Not shown on Printer's Litho.

Amendment