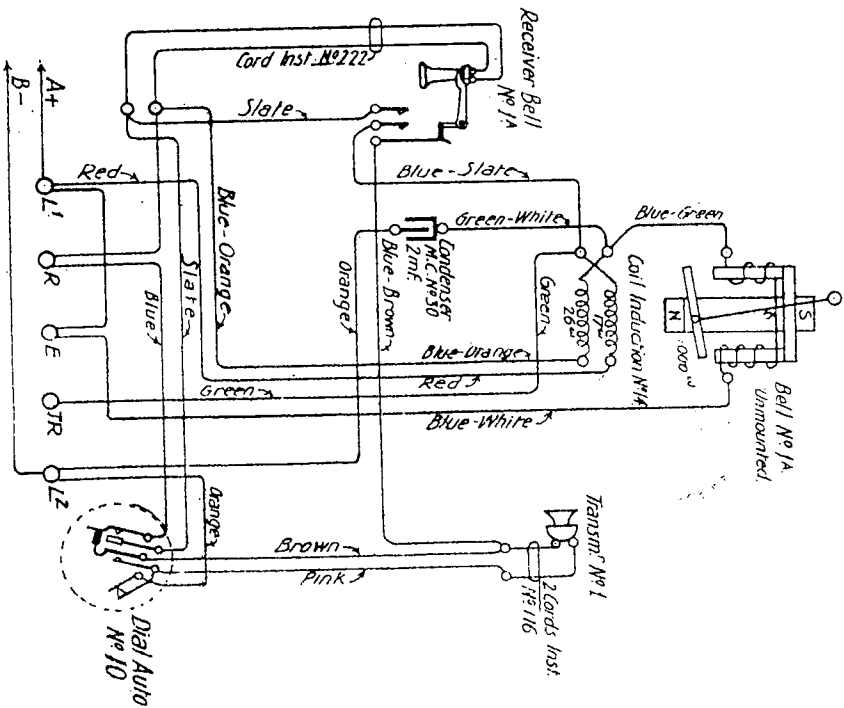


N221

A.T. 1728. 22.8.24.

TELEPHONE N° 121. (MOTOR)



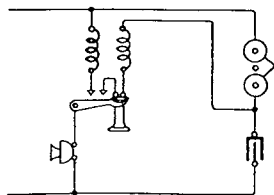
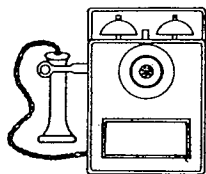
2607

Mallory & Sons, Photo-Lith.

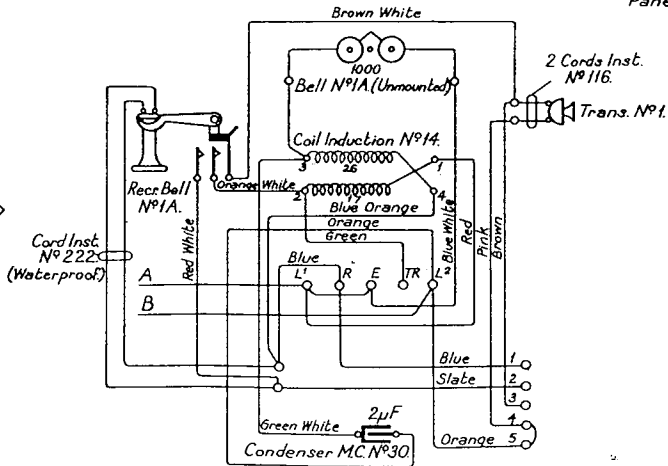
TELEPHONE N°121 C.B. (Mark 234).

N.221.

25-11-29
Panel 1.



EXPLANATORY.

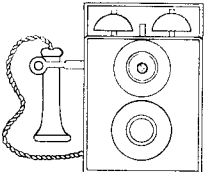


Notes:-

- (1) Remove strap between terminals L' & E when Extension Bell is Fitted.
- (2) For conversion to Automatic working, remove Frame Notice N°1 Instruction Card and dial aperture cover. For Mark 234, fit Dial Automatic N°7; remove strap between terminals 4 & 5; fit Dial Automatic N°10...

121/121

CB & A
 15 5156
 PROGRAM NEW INDUCTION BELL / DIAL STRIPS, NOTES ADDED
 RED WIRE FROM XAMTS TO DIAL CONN. PLATE W/S SHOWN FINE
 W



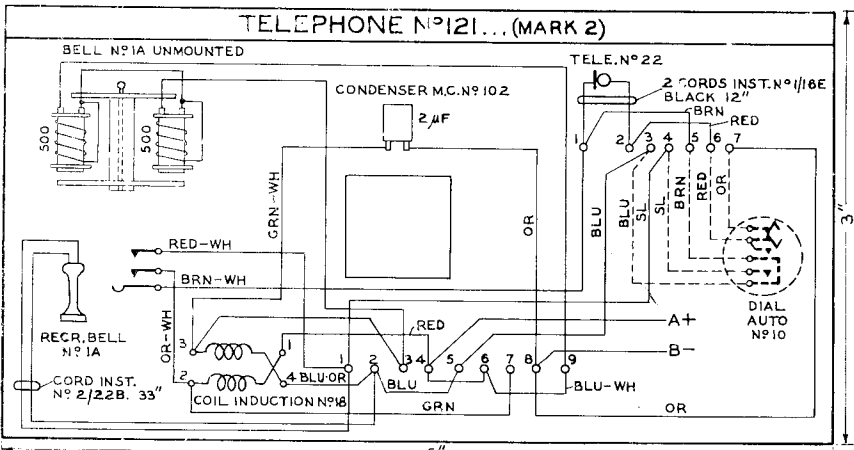
TELEPHONE N°121... (MARK 2)

FOR USE IN CB & AUTO SYSTEMS

N221

2. PANELS-1
 22-8-24

SUPERSEDES FOR NEW WORK
 N201 & N101
 SUPERSEDES TELE. N° 105



LABEL DIAGRAM TO BE TO DIMENSIONS GIVEN

NOTES:-

1. EARLY ISSUES OF TELE. 121 HAD LETTERED CONNEXION POINTS WHOSE EQUIVALENTS ARE
 TELE STRIPS.
 1 2 3 4 5 6 7 8 9
 REC'D. L₁ R₁ E₁ R₂ L₂
 TERMINALS 5 & 9 CONNECTED TO BELL CONNEXIONS.
 DIAL STRIP
 1 2 3 4 5 6 7
 T 1 2 3 4 5
2. REMOVE STRAP BETWEEN TERMINALS T4 & T6 WHEN EXTENSION BELL IS FITTED.

N221

2 PANELS-2

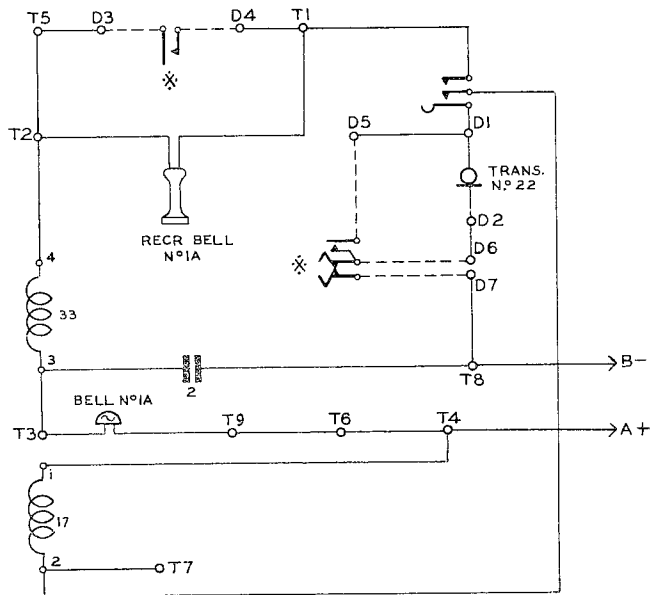
EXPLANATORY

FOR CB WORKING DIAL
NOT FITTED. D6 AND
D7 STRAPPED

⊗ DIAL SPRINGS

T TELE. STRIP

D DIAL STRIP



CIRCULATION
GENERAL

Sup'n. note, ref. N101 added.	8-6-37	D
Supersession note added.	8-6-37	C
Redrawn and amended.	8-6-37	C
See superseded tracing		A

AMENDMENT

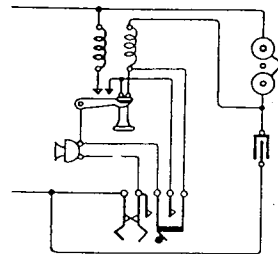
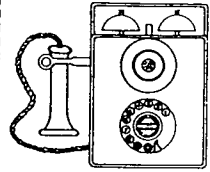
TELEPHONE N°121... (Mark 234)

N.221.

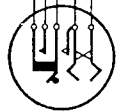
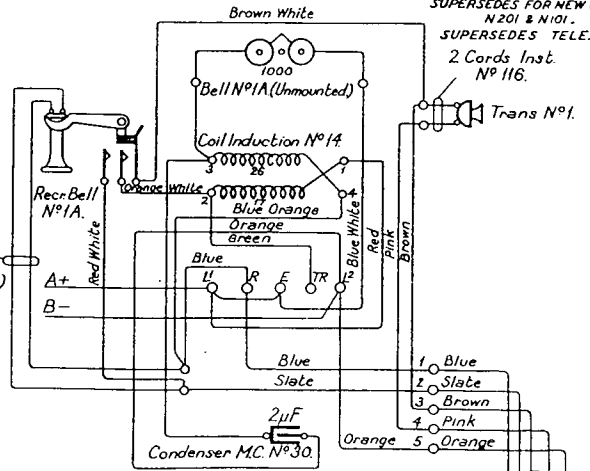
PANEL 2
22-8-24

SUPERSEDES FOR NEW WORK
N201 & N101.
SUPERSEDES TELE. No.105

2 Cords Inst.
N° 116.



EXPLANATORY



Note :-
Remove strap between terminals L' & E when Extension Bell is Fitted.

Dial Arr. N°10