

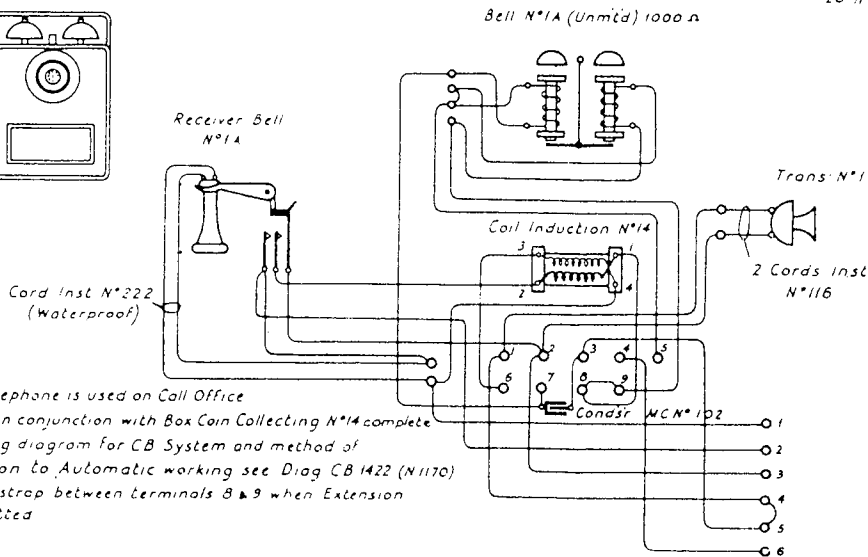
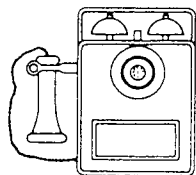
TELEPHONE N°131 C.B. (MARK 234).

N.231.

CB.1429.⁴

PANEL I

20 11 30



NOTES

- 1 This Telephone is used on Call Office
- Circuits in conjunction with Box Coin Collecting N°14 complete
- 2 For wiring diagram for CB System and method of conversion to Automatic working see Diag CB 1422 (N1170)
- 3 Remove strap between terminals 8 & 9 when Extension Bell is Fitted

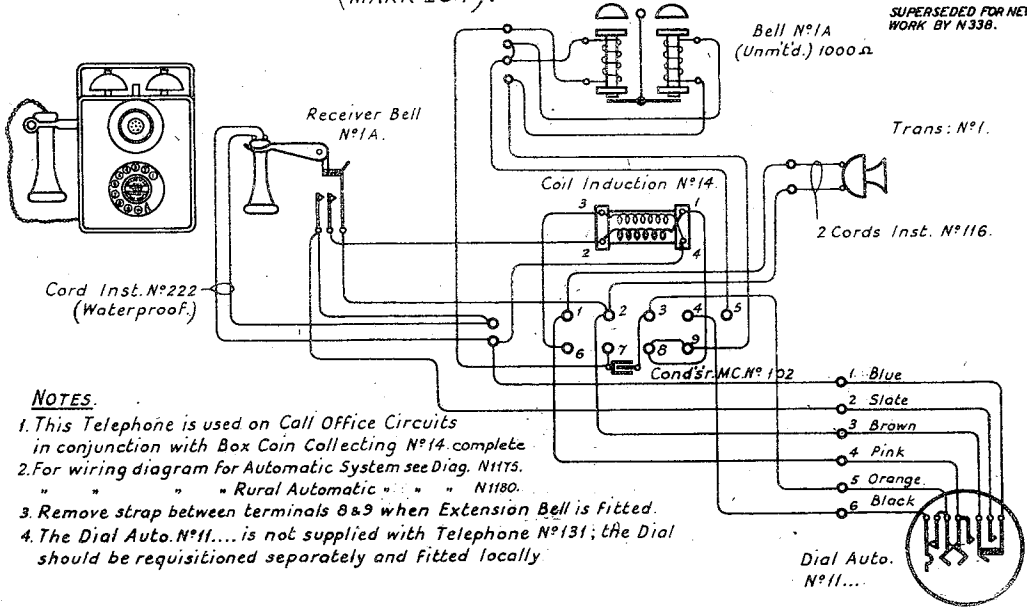
Sum

TELEPHONE N°131 (MARK 234).

N 231
2 PANELS - I
20-11-30

SUPERSEDED FOR NEW WORK BY N338.

Amendment
Dual Nos. AT2209 & CB1429 deleted.
Supersession note added.
Note I. amended.
23-9-39 B
27-9-31 A



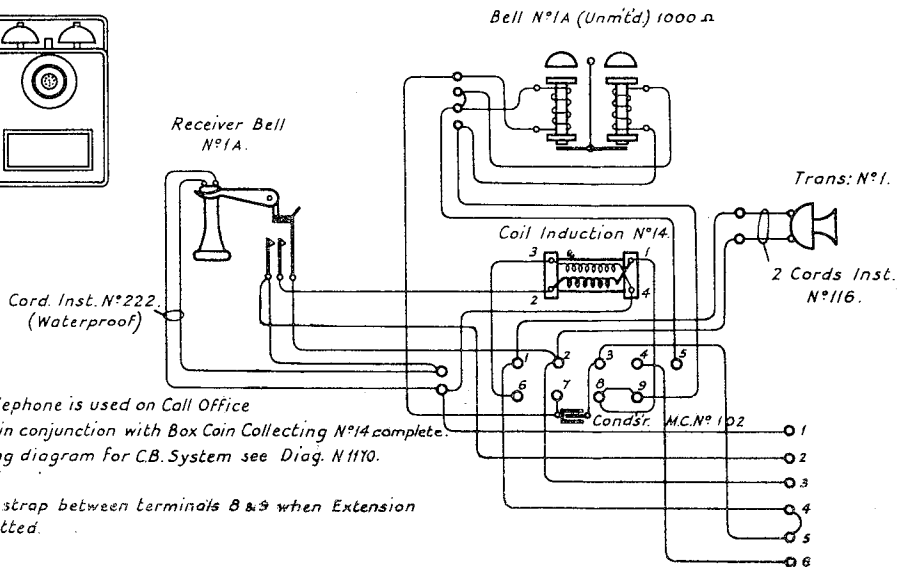
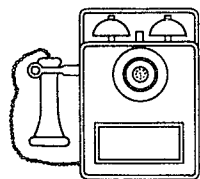
NOTES.

1. This Telephone is used on Call Office Circuits in conjunction with Box Coin Collecting N°14 complete.
2. For wiring diagram for Automatic System see Diag. N1175.
" " " " Rural Automatic " " " N1180.
3. Remove strap between terminals 8 & 9 when Extension Bell is Fitted.
4. The Dial Auto. N°11.... is not supplied with Telephone N°131; the Dial should be requisitioned separately and fitted locally.



N 23/
2 PANELS-2

TELEPHONE N°131 C.B. (MARK 234).



NOTES.

1. This Telephone is used on Call Office
Circuits in conjunction with Box Coin Collecting N°14 complete.
2. For wiring diagram for C.B. System see Diag. N 1170.
3. Remove strap between terminals 8 & 9 when Extension Bell is Fitted.