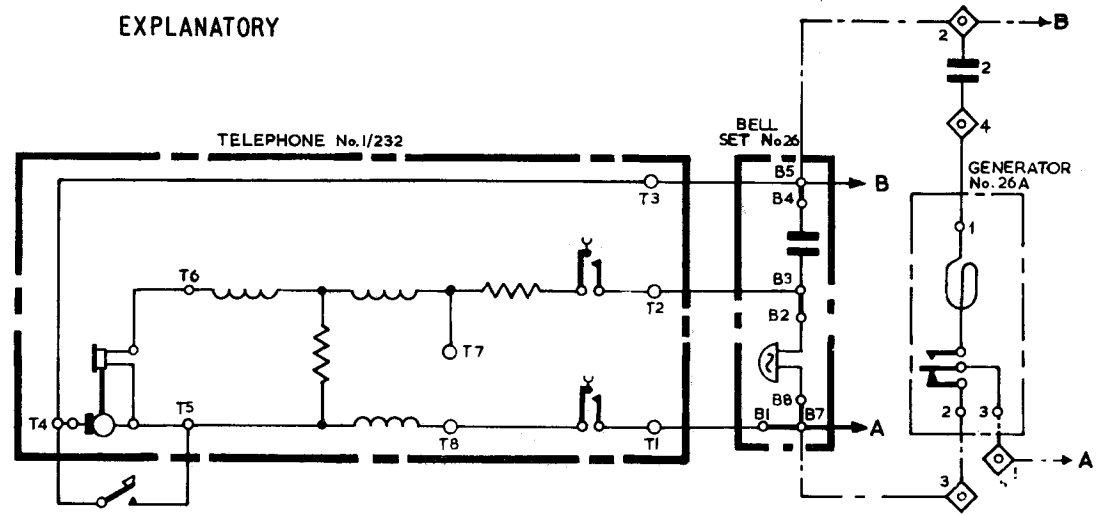
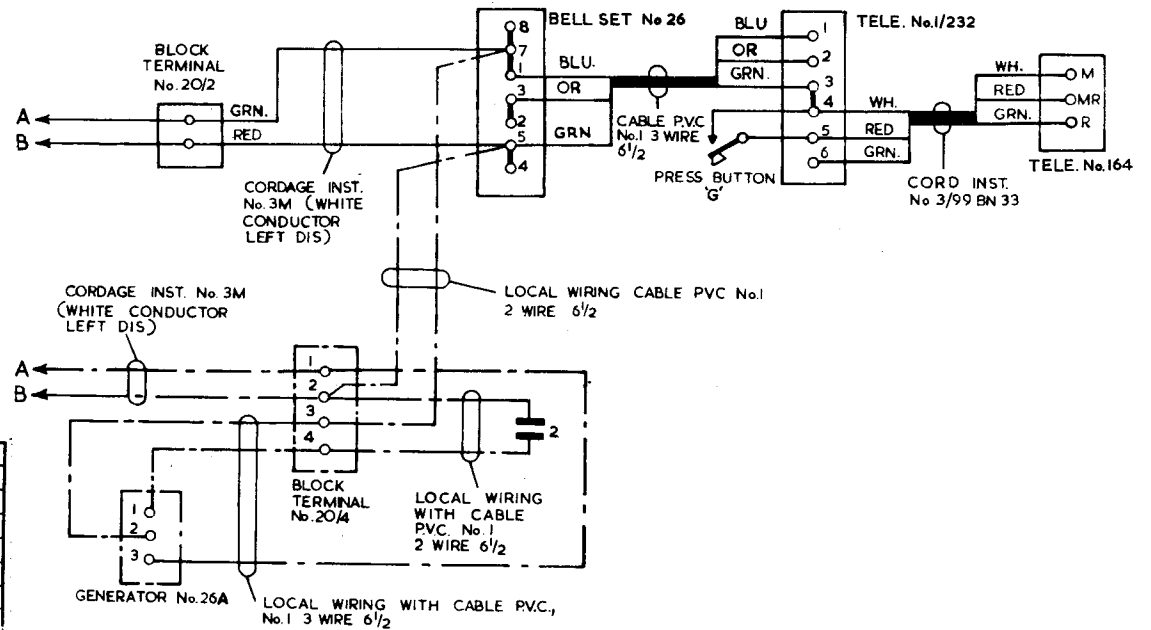


EXPLANATORY



WIRING



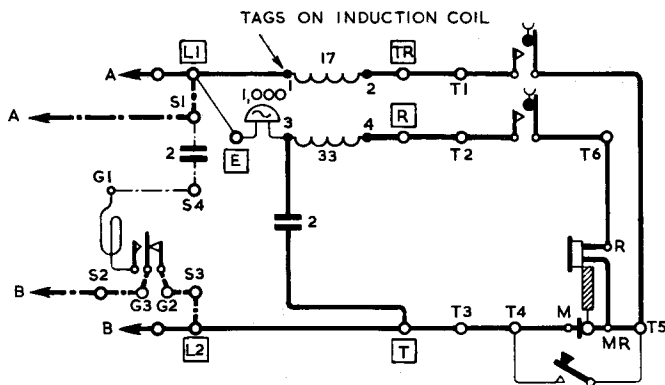
NOTE:-

Telephone 152 B consists of a teak case fitted with brackets, balance weights etc. for suspension from special tubular structure in Billingsgate fishmarket. Includes bell-set 26, telephone 1/232 incomplete & telephone 164 etc., connected as shown in diagram. For extension working, plan 7&7A provided additional apparatus & wire as shown thus disconnecting Cordage Inst. 3M from terminal B5 & B7 & connect to terminals BT1 & BT2

P.O.E.D. S BCH.	ISSUES		
PAPER: R			
CIRCULATION SPECIAL	D	NEW FORMAT	19 - 4 - 67
	C	TELE. 152B ADDED	19 - 4 - 60
		E. S. R.	10 - 7 - 36
		S1	

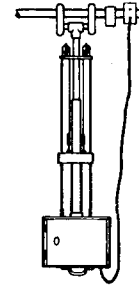
EXPLANATORY DIAGRAM

TERMINAL POINTS	
G	= GENERATOR
□	= BELL SET
S	= STRIP
T	= TELEPHONE

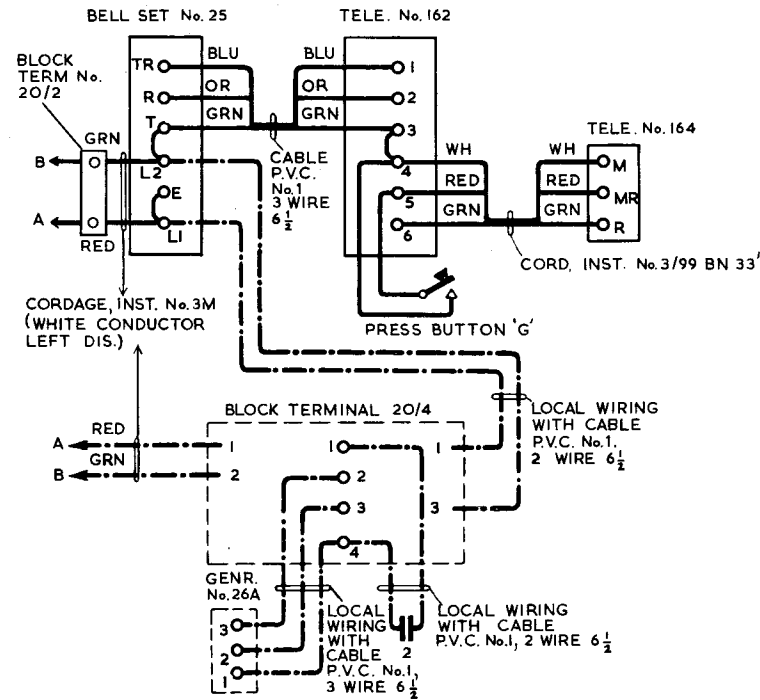


NOTE:-

Telephone 152 A consists of a teak case fitted with brackets, balance weights etc. for suspension from special tubular structure in Billingsgate fishmarket. Includes bell-set 25, telephone 162 incomplete & telephone 164 etc, connected as shown in diagram. For extension working, plan 7 & 7A, provide additional apparatus & wire as shown thus ----- disconnecting Cordage Inst. 3M from terminals L1 & L2 & connect respectively to terminals 1 & 2 on block terminal 20/4.



WIRING DIAGRAM



NOTE:-

For extension working, plan 7 & 7A provide additional apparatus and wiring shown thus -----