

CIRCULATION

GENERAL

80557 D	80557 C	80557 B	80557 A
SUPERSESSION NOTE ADDED TO PANEL 1			
CIRCULATION & PANEL NIS. AMENDED			
Sheet redrawn. Supersession note added to sheet 2.			
See sheets 1 & 2.			
Amendment			

## TELEPHONE No. 1/162...

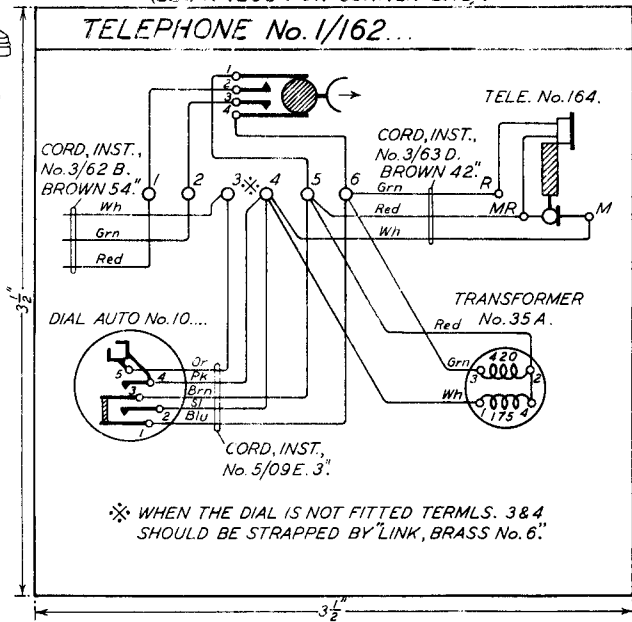
FOR USE WITH BELL SET No. 25 ON C.B. & AUTO SYSTEMS ON DIRECT EXCHANGE LINES ETC.  
(SEE N 4200 FOR CONNEXIONS).

N 262

26-11-29

3 PANELS-1

SUPERSEDED BY N332  
FOR NEW WORK



CIRCULATION  
GENERAL.

# TELEPHONE No. 162. C.B. (WORKING LOCAL BATTERY.)

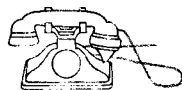
C.B.S. 2 & 3 SYSTEMS.

## N. 262.

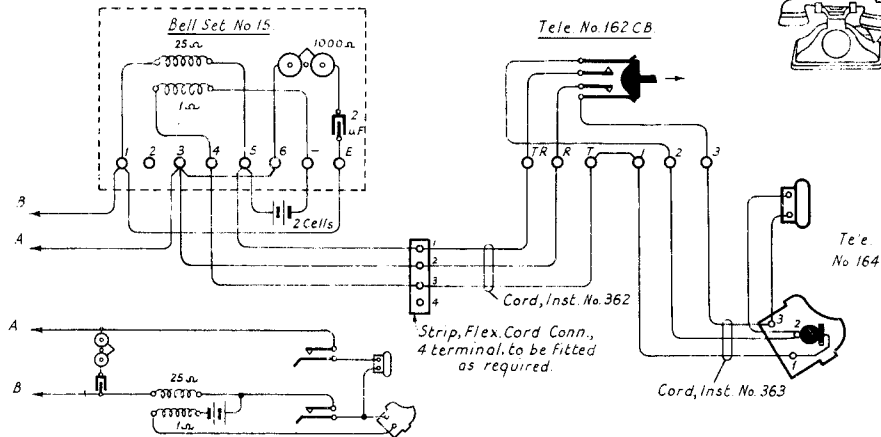
3 PANELS - 2

21 8 30.

SUPERSEDED BY N1297  
FOR NEW WORK.



30557	D
30754	C
21937	B
22031	A
SUPERSESSION NOTE ADDED TO PANEL 1	
CIRCULATION & PANEL No'S AMENDED	
Sheet 1 redrawn. Super-session made voided.	
Panel 1. Redrawn. CBS No. 1. Deleted.	
Panel 2. Redrawn. Wap. 2811. Auto-clear deleted.	
Amendment	

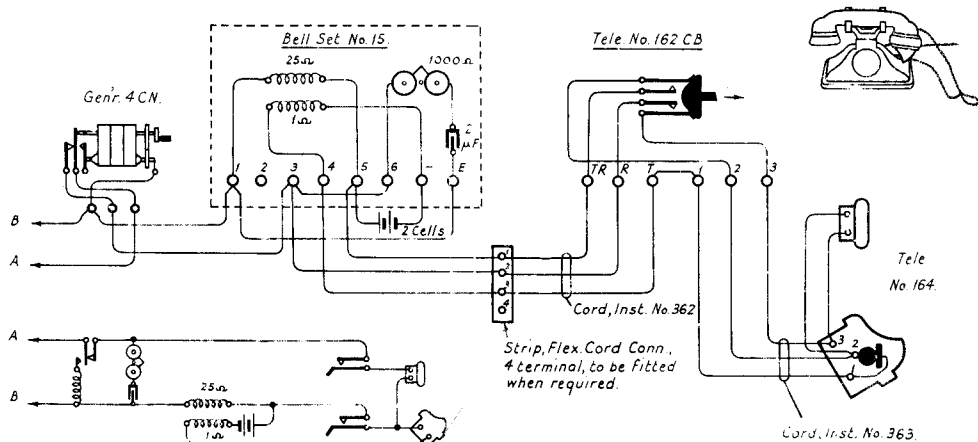


- NOTES :-**
1. The Anti-side tone coil (Transformer No 35A) which is fitted inside the Standard Tele. No. 162 is not required when the instrument is working to a local battery speaking system. The Transformer should therefore be disconnected & left in situ.
  2. For CBS No. 1 SYSTEM see Diagram CBS. 688 (N. 290).

N262  
3 PANELS-3

# TELEPHONE No.162 C.B. (WORKING LOCAL BATTERY)

MAGNETO SYSTEM.



- NOTES:-**
1. The Anti-side tone coil (Transformer No.35A) which is fitted inside the Standard Tele. No.162 is not required when the instrument is working to a local battery speaking system. The Transformer should therefore be disconnected & left in situ.
  2. For MAGNETO CALL & AUTO CLEAR SYSTEM see Diagram C.B.5.687. (N290)