

CIRCULATION  
GENERAL

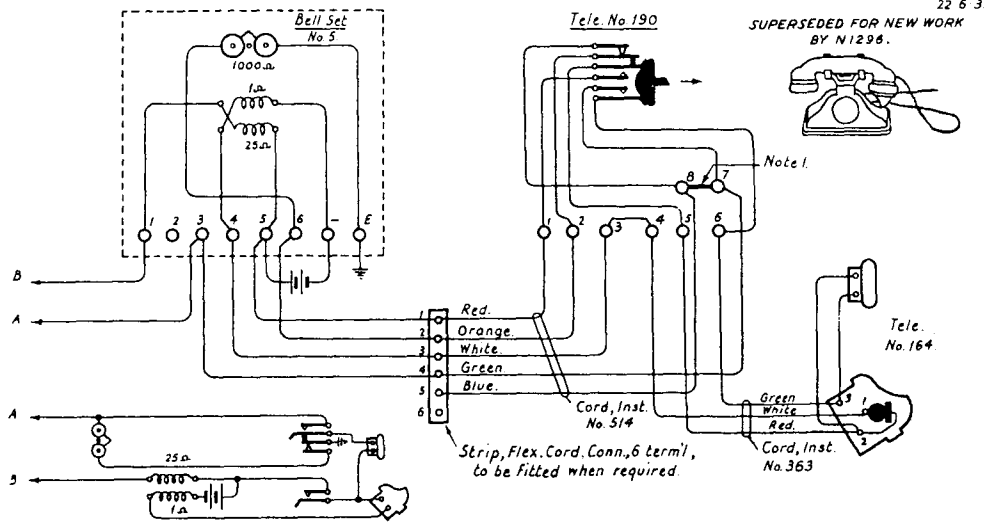
# TELEPHONE No. 190 (WITH BELL SET No. 5).

N.290.

C.B.S No 1 SYSTEM

Panel 2.

Amendment  
 Succession of changes for improvement  
 C.B.S. No. 190, 190B, 190C, 190D, 190E, 190F, 190G, 190H, 190I, 190J, 190K, 190L, 190M, 190N, 190O, 190P, 190Q, 190R, 190S, 190T, 190U, 190V, 190W, 190X, 190Y, 190Z, 190AA, 190AB, 190AC, 190AD, 190AE, 190AF, 190AG, 190AH, 190AI, 190AJ, 190AK, 190AL, 190AM, 190AN, 190AO, 190AP, 190AQ, 190AR, 190AS, 190AT, 190AU, 190AV, 190AW, 190AX, 190AY, 190AZ, 190BA, 190BB, 190BC, 190BD, 190BE, 190BF, 190BG, 190BH, 190BI, 190BJ, 190BK, 190BL, 190BM, 190BN, 190BO, 190BP, 190BQ, 190BR, 190BS, 190BT, 190BU, 190BV, 190BW, 190BX, 190BY, 190BZ, 190CA, 190CB, 190CC, 190CD, 190CE, 190CF, 190CG, 190CH, 190CI, 190CJ, 190CK, 190CL, 190CM, 190CN, 190CO, 190CP, 190CQ, 190CR, 190CS, 190CT, 190CU, 190CV, 190CW, 190CX, 190CY, 190CZ, 190DA, 190DB, 190DC, 190DD, 190DE, 190DF, 190DG, 190DH, 190DI, 190DJ, 190DK, 190DL, 190DM, 190DN, 190DO, 190DP, 190DQ, 190DR, 190DS, 190DT, 190DU, 190DV, 190DW, 190DX, 190DY, 190DZ, 190EA, 190EB, 190EC, 190ED, 190EE, 190EF, 190EG, 190EH, 190EI, 190EJ, 190EK, 190EL, 190EM, 190EN, 190EO, 190EP, 190EQ, 190ER, 190ES, 190ET, 190EU, 190EV, 190EW, 190EX, 190EY, 190EZ, 190FA, 190FB, 190FC, 190FD, 190FE, 190FF, 190FG, 190FH, 190FI, 190FJ, 190FK, 190FL, 190FM, 190FN, 190FO, 190FP, 190FQ, 190FR, 190FS, 190FT, 190FU, 190FV, 190FW, 190FX, 190FY, 190FZ, 190GA, 190GB, 190GC, 190GD, 190GE, 190GF, 190GG, 190GH, 190GI, 190GJ, 190GK, 190GL, 190GM, 190GN, 190GO, 190GP, 190GQ, 190GR, 190GS, 190GT, 190GU, 190GV, 190GW, 190GX, 190GY, 190GZ, 190HA, 190HB, 190HC, 190HD, 190HE, 190HF, 190HG, 190HH, 190HI, 190HJ, 190HK, 190HL, 190HM, 190HN, 190HO, 190HP, 190HQ, 190HR, 190HS, 190HT, 190HU, 190HV, 190HW, 190HX, 190HY, 190HZ, 190IA, 190IB, 190IC, 190ID, 190IE, 190IF, 190IG, 190IH, 190II, 190IJ, 190IK, 190IL, 190IM, 190IN, 190IO, 190IP, 190IQ, 190IR, 190IS, 190IT, 190IU, 190IV, 190IW, 190IX, 190IY, 190IZ, 190JA, 190JB, 190JC, 190JD, 190JE, 190JF, 190JG, 190JH, 190JI, 190JJ, 190JK, 190JL, 190JM, 190JN, 190JO, 190JP, 190JQ, 190JR, 190JS, 190JT, 190JU, 190JV, 190JW, 190JX, 190JY, 190JZ, 190KA, 190KB, 190KC, 190KD, 190KE, 190KF, 190KG, 190KH, 190KI, 190KJ, 190KK, 190KL, 190KM, 190KN, 190KO, 190KP, 190KQ, 190KR, 190KS, 190KT, 190KU, 190KV, 190KW, 190KX, 190KY, 190KZ, 190LA, 190LB, 190LC, 190LD, 190LE, 190LF, 190LG, 190LH, 190LI, 190LJ, 190LK, 190LL, 190LM, 190LN, 190LO, 190LP, 190LQ, 190LR, 190LS, 190LT, 190LU, 190LV, 190LW, 190LX, 190LY, 190LZ, 190MA, 190MB, 190MC, 190MD, 190ME, 190MF, 190MG, 190MH, 190MI, 190MJ, 190MK, 190ML, 190MN, 190MO, 190MP, 190MQ, 190MR, 190MS, 190MT, 190MU, 190MV, 190MW, 190MX, 190MY, 190MZ, 190NA, 190NB, 190NC, 190ND, 190NE, 190NF, 190NG, 190NH, 190NI, 190NJ, 190NK, 190NL, 190NM, 190NO, 190NP, 190NQ, 190NR, 190NS, 190NT, 190NU, 190NV, 190NW, 190NX, 190NY, 190NZ, 190OA, 190OB, 190OC, 190OD, 190OE, 190OF, 190OG, 190OH, 190OI, 190OJ, 190OK, 190OL, 190OM, 190ON, 190OO, 190OP, 190OQ, 190OR, 190OS, 190OT, 190OU, 190OV, 190OW, 190OX, 190OY, 190OZ, 190PA, 190PB, 190PC, 190PD, 190PE, 190PF, 190PG, 190PH, 190PI, 190PJ, 190PK, 190PL, 190PM, 190PN, 190PO, 190PP, 190PQ, 190PR, 190PS, 190PT, 190PU, 190PV, 190PW, 190PX, 190PY, 190PZ, 190QA, 190QB, 190QC, 190QD, 190QE, 190QF, 190QG, 190QH, 190QI, 190QJ, 190QK, 190QL, 190QM, 190QN, 190QO, 190QP, 190QQ, 190QR, 190QS, 190QT, 190QU, 190QV, 190QW, 190QX, 190QY, 190QZ, 190RA, 190RB, 190RC, 190RD, 190RE, 190RF, 190RG, 190RH, 190RI, 190RJ, 190RK, 190RL, 190RM, 190RN, 190RO, 190RP, 190RQ, 190RR, 190RS, 190RT, 190RU, 190RV, 190RW, 190RX, 190RY, 190RZ, 190SA, 190SB, 190SC, 190SD, 190SE, 190SF, 190SG, 190SH, 190SI, 190SJ, 190SK, 190SL, 190SM, 190SN, 190SO, 190SP, 190SQ, 190SR, 190SS, 190ST, 190SU, 190SV, 190SW, 190SX, 190SY, 190SZ, 190TA, 190TB, 190TC, 190TD, 190TE, 190TF, 190TG, 190TH, 190TI, 190TJ, 190TK, 190TL, 190TM, 190TN, 190TO, 190TP, 190TQ, 190TR, 190TS, 190TT, 190TU, 190TV, 190TW, 190TX, 190TY, 190TZ, 190UA, 190UB, 190UC, 190UD, 190UE, 190UF, 190UG, 190UH, 190UI, 190UJ, 190UK, 190UL, 190UM, 190UN, 190UO, 190UP, 190UQ, 190UR, 190US, 190UT, 190UU, 190UV, 190UW, 190UX, 190UY, 190UZ, 190VA, 190VB, 190VC, 190VD, 190VE, 190VF, 190VG, 190VH, 190VI, 190VJ, 190VK, 190VL, 190VM, 190VN, 190VO, 190VP, 190VQ, 190VR, 190VS, 190VT, 190VU, 190VV, 190VW, 190VX, 190VY, 190VZ, 190WA, 190WB, 190WC, 190WD, 190WE, 190WF, 190WG, 190WH, 190WI, 190WJ, 190WK, 190WL, 190WM, 190WN, 190WO, 190WP, 190WQ, 190WR, 190WS, 190WT, 190WU, 190WV, 190WW, 190WX, 190WY, 190WZ, 190XA, 190XB, 190XC, 190XD, 190XE, 190XF, 190XG, 190XH, 190XI, 190XJ, 190XK, 190XL, 190XM, 190XN, 190XO, 190XP, 190XQ, 190XR, 190XS, 190XT, 190XU, 190XV, 190XW, 190XX, 190XY, 190XZ, 190YA, 190YB, 190YC, 190YD, 190YE, 190YF, 190YG, 190YH, 190YI, 190YJ, 190YK, 190YL, 190YM, 190YN, 190YO, 190YP, 190YQ, 190YR, 190YS, 190YT, 190YU, 190YV, 190YW, 190YX, 190YY, 190YZ, 190ZA, 190ZB, 190ZC, 190ZD, 190ZE, 190ZF, 190ZG, 190ZH, 190ZI, 190ZJ, 190ZK, 190ZL, 190ZM, 190ZN, 190ZO, 190ZP, 190ZQ, 190ZR, 190ZS, 190ZT, 190ZU, 190ZV, 190ZW, 190ZX, 190ZY, 190ZZ



22 6 3  
 SUPERSEDED FOR NEW WORK  
 BY N1296.

- NOTES :-
1. Strap terminals 7 & 8 on Tele. 190.
  2. If Strip, Flex. Cord Conn. is not used connect blue conductor of Cord, Inst. No 514 to spare terminal No.2 on Bell Set.
  3. For C.B.S. No.2 & 3 SYSTEMS see Diagram C.B.S 669 (N262 Sheet 2).

V

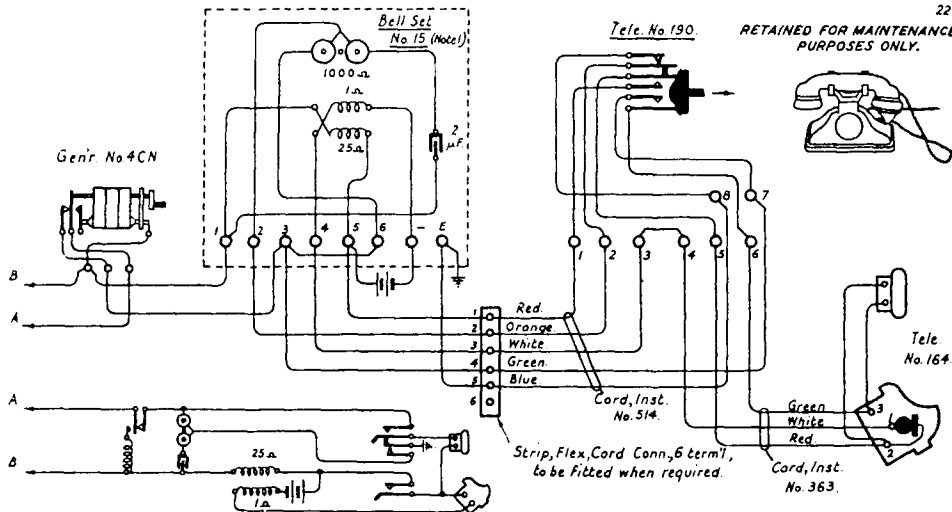
# TELEPHONE No 190 (WITH BELL SET No.15)

MAGNETO CALL AND AUTO. CLEAR SYSTEM

# N.290.

Panel 1.

22-6-31.



- NOTES:-**
- 1 Modifications to Bell Set No. 15 (a) connect centre point of Bell to terminal No. 2 (b) disconnect condenser from term'l E & connect to terminal No. 1.
  2. For ordinary MAGNETO SYSTEM see Diagram C.B.5668 (N262 Sheet 2).

Gen'r. No. 4CN

RETAINED FOR MAINTENANCE PURPOSES ONLY.