

LABEL DIAGRAMS TO BE TO DIMENSIONS GIVEN

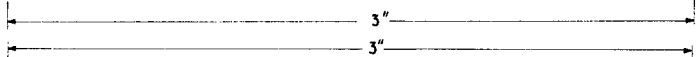
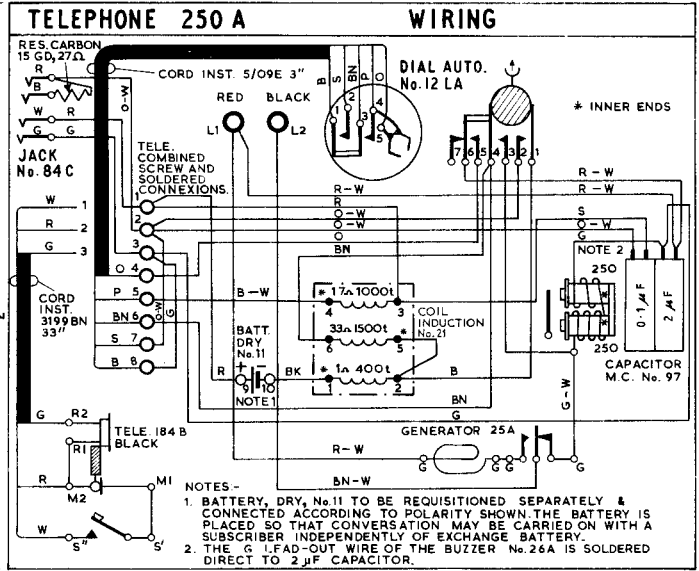
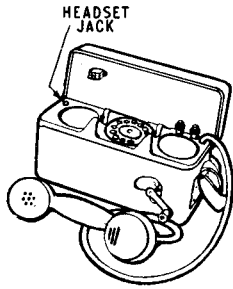
P.O.E.D.  
 S BCH.

PAPER: Y  
 CIRCULATION  
 GENERAL

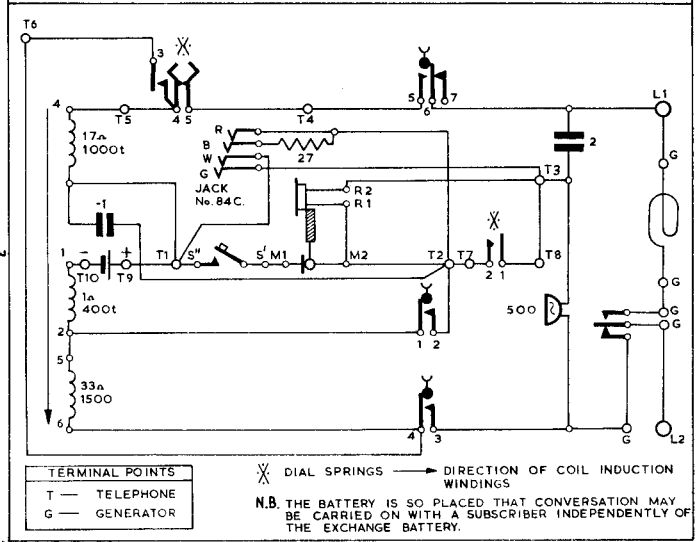
ISSUES

D	NEW FORMAT. TELE. 250 WAS YELLOW	3 . 8 . 67
C	TELE. 250A.— RES. CARBON 15GD 27A ADDED	1 . 11 . 66
B	TELE. 250A. PNLS 3 & 4 ADDED. PNLS. 1 & 2 MADE YELLOW.	9 . 11 . 64
A	CORD INST. 3/99 WAS 3/63 K B.	17 . 5 . 56
	E.R. 5 BR.	28 . 12 . 39

N. 350  
PAGE 2-3  
ISSUE D



### TELEPHONE 250 A MARK 1 EXPLANATORY



LABEL DIAGRAMS TO BE TO DIMENSIONS GIVEN



P.O.E.D. S BCH.	ISSUES				
		D	NEW FORMAT. TELE. 250 WAS Y	<i>W</i>	3 - 8 - 67
		C	TELE. 250A. - RES. CARBON 15 GD 27Ω ADDED		1 - 11 - 66
		B	TELE. 250A. PNLS 3 & 4 ADDED. PNLS. 1 & 2 MADE YELLOW.		9 - 11 - 64
		A	CORD INST. 3/99 WAS 3/63 K.B.		17 - 5 - 56
PAPER: W					
CIRCULATION					
GENERAL		E. R. S. BR.		28 - 12 - 39	