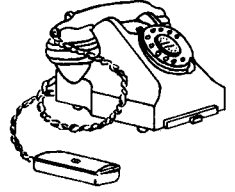
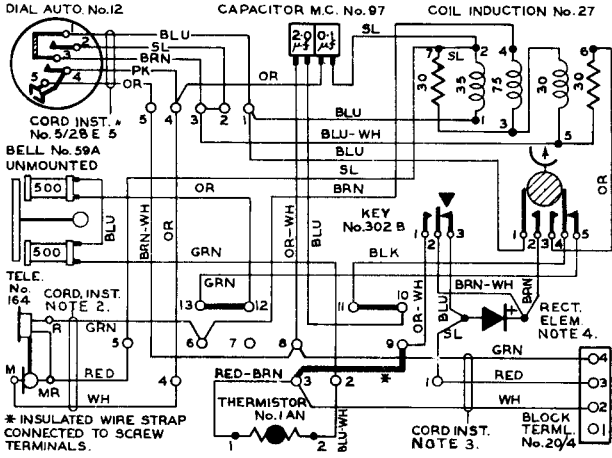


# TELEPHONE No. 312...

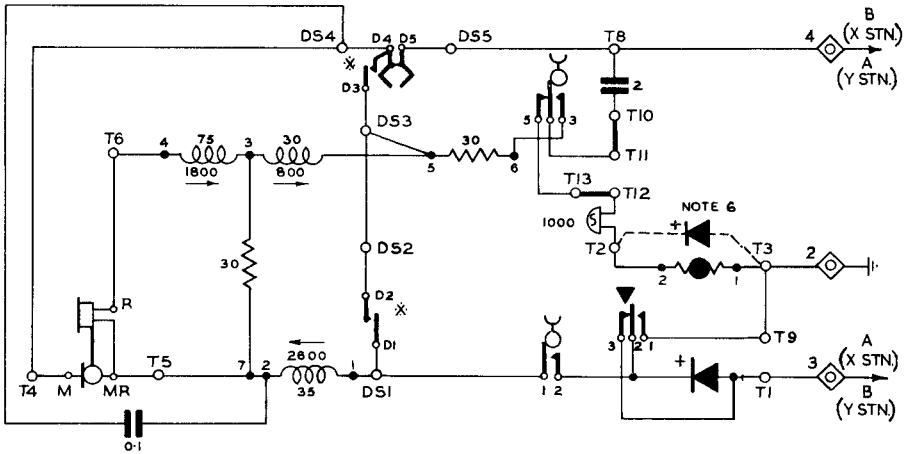
COMBINED HANDSET TELEPHONE FOR USE IN AUTOMATIC AREAS ON  
SHARED SERVICE (SEPARATE METERING) LINES.

N412  
PAGE 1-3  
ISSUE G

## WIRING



## EXPLANATORY



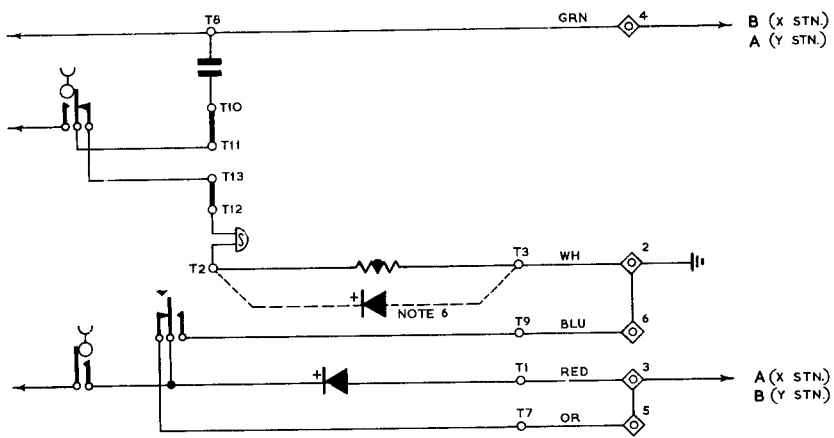
NOTE :-

DIRECTION OF WINDINGS INDICATED BY ARROW THUS →  
\* DIAL SPRINGS.

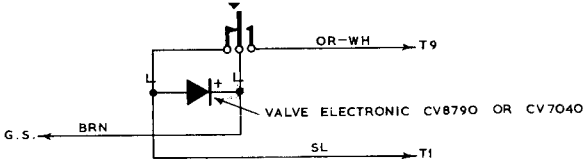
ISSUE	P.O. E. D.		
	S. BCH.		
	PAPER : W.		
	CIRC <sup>1</sup> LTN. GENERAL.		
	G	REDRAWN, NEW FORMAT	18. 7. 67.
	F	NOTE 5 ADDED	4. 11. 65.
		C.J.C SI/1	5. 12. 49.

**NOTES :-**

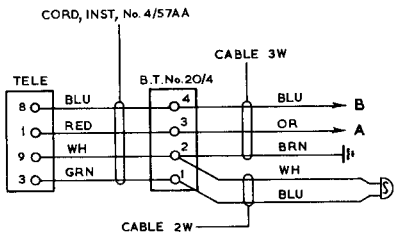
1. Early supplies had the back contact of the Press-button brought out to T7 and were fitted with Block terminal No.20/8 & Cord Inst. 5/14B. When necessary to replace the Cord, a Cord Inst.No.3/62AA may be used with T3-T9 and T1-T7 strapped in Telephone.



2. The Handset Cord may be any one of the following;  
 Cord Inst. Nos. 3/63A\_\_\_, 3/63AA\_\_\_ or 3/110AK\_\_\_.
3. The Line Cord may be either a Cord Inst. No.3/62B\_\_\_ or 3/62AA\_\_\_.
4. Rectifier Element No.1/2A is normally fitted. Later supplies of this Telephone have a Valve Electronic CV8790 or CV7040 fitted directly on to Tags 2 and 3 of the Key No.302B.



5. When an Extension Bell is required remove strap between Telephone Terminals T3 and T9, replace Cord Inst. No. 3/62\_\_\_ by Cord Inst.No.4/57\_\_\_ and connect Extension Bell on Block Terminal 20/4.



**NOTES (CONTD.)**

6. In U.A.X. areas with Vibrator Ringing a Valve Electronic CV425 should be connected to terminals T2 and T3 in parallel with the Thermistor.
7. In type TXE2 Electronic Exchange areas recover BRN-WH wire between Rectifier positive and Key No.302B Tag 2 and BRN wire between Rectifier positive and Gravity Switch Tag 2. Provide new wire between these two Tags. If a Valve Electronic CV8790 or CV7040 is fitted, it should be recovered and the wiring left untouched.