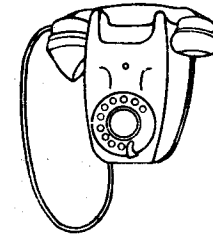


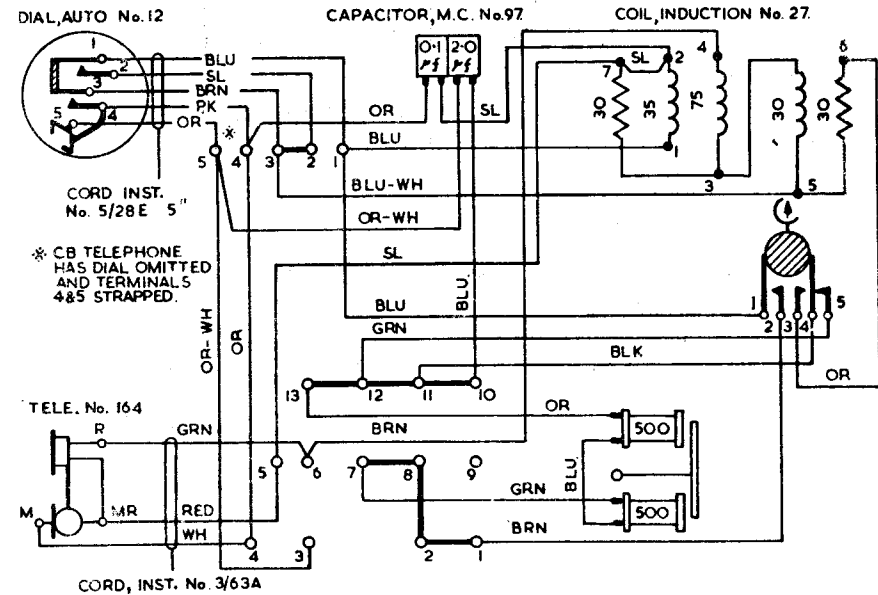
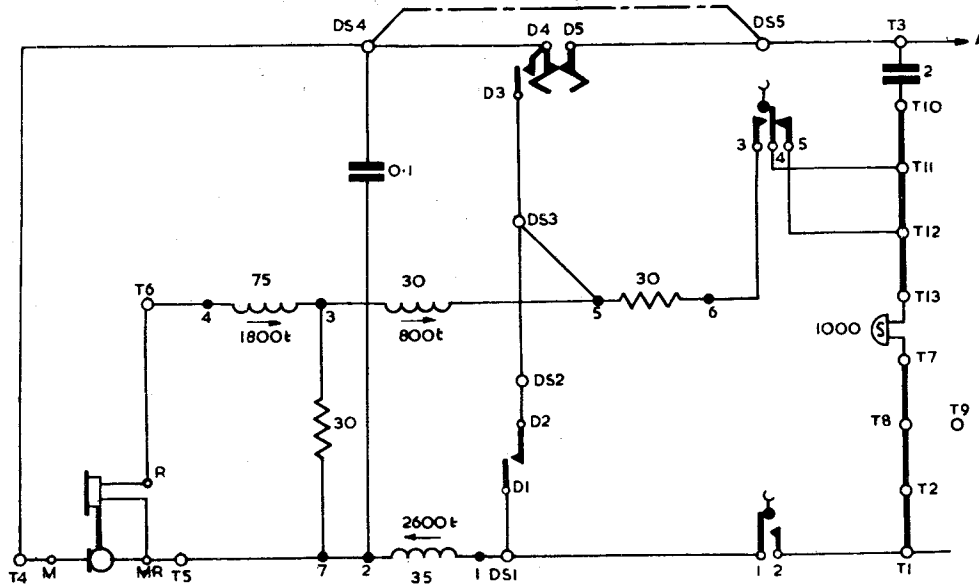
TELEPHONE 321

HANDSET WALL TELEPHONE FOR USE WITH ADAPTERS SHARED SERVICE 1 & 2 & KEYS 302, 303, & 304, IN PLACE OF TELEPHONES 310, 312, 314, 328, & 330, WHERE A WALL TELEPHONE IS REQUIRED. TELE. 321 IS SUPERSEDED FOR NEW WORK BY TELE. 711 SEE DGM. N 811

EXPLANATORY
TELE. 321 AS ISSUED



C.B. TELEPHONE HAS DIAL OMITTED AND TERMINALS 4-5 STRAPPED



P.O.E.D. S BCH.				
PAPER: Y				
CIRCULATION GENERAL	ISSUES			
	F	NEW FORMAT	<i>afw</i>	19-4-67
	E	SUPPN. NOTE ADDED. MADE YELLOW		19-6-64
		J.H.S.	'S1	20-6-55

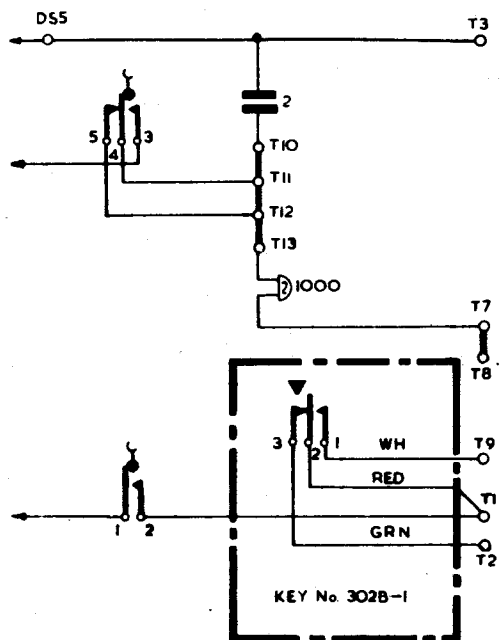
For use as the wall telephone equivalent of —

- (a) Tele. 310 see page 2.
- (b) " 312 " " 2
- (c) " 314 " " 3
- (d) " 328 " " 3
- (e) " 330 " " 4

For wiring of Adapters Shared Service 1 & 2 see diagram N 811

TELEPHONE 321 FITTED WITH KEY 302B-1

FOR USE AS THE WALL TELEPHONE EQUIVALENT OF TELEPHONE 310
TELE. 321 IS SUPERSEDED FOR NEW WORK BY TELE. 711 SEE DGM. N 811

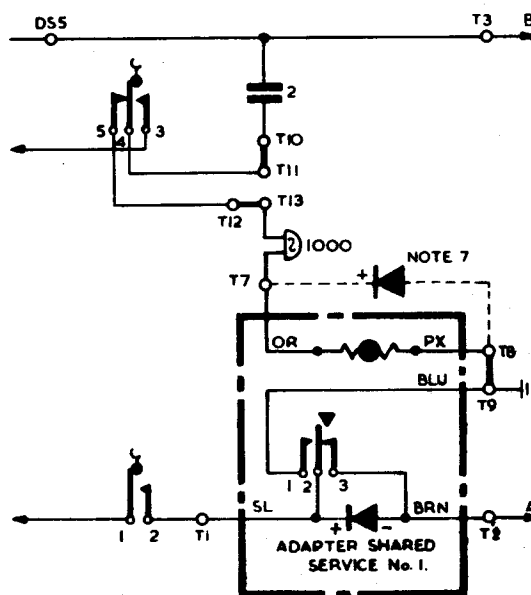


NOTES :-

1. FIT KEY No 302B-1 TO TELEPHONE WITH THE 2 SCREWS PROVIDED.
2. REMOVE THE LINKS BETWEEN TERMINALS 1-2 & 2-8.
3. REMOVE THE LINK BETWEEN TERMINALS 7-8 & CONNECT EXTN. BELL WHEN REQD.
4. CONNECT THE KEY CONDUCTORS TO THE TELEPHONE TERMINALS :- RED TO 1, GRN. TO 2, & WH. TO 9.
5. TELEPHONE No 321 WITH KEY No 302B-1 WILL WORK IN PLACE OF A TELEPHONE No 310 ON SHARED SERVICE WITH BELL SET No 41 & IN ANY EXTN PLAN. THE N DGMS OF EXTN. PLANS SHOW THE CONNEXIONS FOR TELEPHONES No 310 ONLY & AS CORRESPONDING TERMINALS OF TELEPHONES No 310 & No 321 DO NOT ALL HAVE THE SAME NUMBERS THE FOLLOWING CONVERSION TABLE SHOULD BE USED.

TELEPHONE No 310 TERMINAL	CORRESPONDING TERMINAL OF TELEPHONE No 321.
1	1
2	7
3 NOT USED	-
4	4
5	5
6	6
7	2
8	3
9	9
10	10
11	11
12	13
13	-
-	12
-	8

TELEPHONE 321 COMBINED WITH ADAPTER SHARED SERVICE No.1 FOR USE AS THE WALL TELEPHONE EQUIVALENT OF TELEPHONE 312

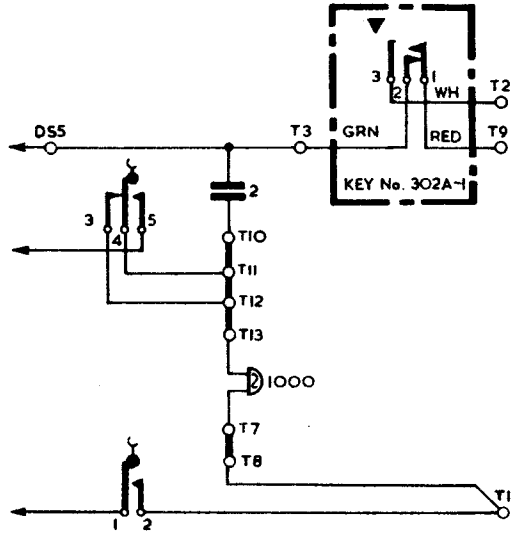


NOTES :-

1. FIX ADAPTER TO TELEPHONE WITH THE TWO SCREWS PROVIDED & AND WITH THE TWO SCREWS OF THE KEY No. 302B.
2. REMOVE THE LINKS BETWEEN TERMINALS 1-2, 2-8, 7-8, & 11-12
3. LINK TERMINALS 8-9.
4. CONNECT THE ADAPTER CONDUCTORS TO THE TELEPHONE TERMINALS :- OR. TO 7, PK. TO 8, BLU. TO 9, SL. TO 1 & BRN. TO 2.
5. REMOVE LINK BETWEEN TERMINALS 8-9 & CONNECT EXTN. BELL WHEN REQD.
6. TELEPHONE No. 321 WITH ADAPTER SHARED SERVICE No. 1 WILL WORK IN PLACE OF A TELEPHONE No. 312 IN ANY EXTN. PLAN. THE N DGMS FOR EXTN. PLANS SHOW THE CONNEXIONS FOR TELEPHONES No. 312 ONLY & AS CORRESPONDING TERMINALS OF TELEPHONES No. 312 & No. 321 DO NOT ALL HAVE THE SAME NUMBERS THE FOLLOWING CONVERSION TABLE SHOULD BE USED.
7. IN UAX AREAS WITH VIBRATOR RINGING A VALVE ELECTRONIC CV425 SHOULD BE CONNECTED TO TERMINAL T7 & T8 IN PARALLEL WITH THE THERMISTOR.

TELEPHONE No 312 TERMINAL	CORRESPONDING TERMINAL OF TELEPHONE No 321.
1	2
2	7
3	8
4	4
5	5
6	6
7 NOT USED	-
8	3
9	9
10	10
11	11
12	13
13	12
-	1

TELEPHONE 321 FITTED WITH KEY 302A-1
 FOR USE AS THE WALL TELEPHONE EQUIVALENT
 OF TELEPHONE 330
 TELE. 321 IS SUPERSEDED FOR NEW WORK BY
 TELE. 711. SEE DGM. N 811



NOTES:-

1. FIT KEY No. 302A-1 TO TELEPHONE WITH THE 2 SCREWS PROVIDED.
2. REMOVE THE LINKS BETWEEN TERMINALS 1-2 & 2-8.
3. REMOVE LINK BETWEEN TERMINALS 7-8 & CONNECT EXTN. BELL WHEN REQD.
4. CONNECT THE KEY CONDUCTORS TO THE TELEPHONE TERMINAL:- RED TO 9, WH TO 2 & GRN TO 3
- 5(a) FOR RECALL FACILITY ON PM. BX'S CONNECT EARTH TO TERMINAL T2
- (b) FOR RECALL FACILITY ON STANDARD PA BX'S 1,2,8,3 INSERT STRAP BETWEEN TERMINALS T3 & T9 & CONNECT EARTH TO TERMINAL T2.
6. TELEPHONE No. 321 WITH KEY No. 302A-1 WILL WORK IN PLACE OF A TELEPHONE No. 330 IN ANY EXTN. PLAN & P.B.X. EXTN. THE N DGM'S OF EXTN. PLANS SHOW THE CONN'S FOR TELEPHONES No. 330 ONLY & AS CORRESPONDING TERMINALS OF TELEPHONES No. 330 & 321 DO NOT ALL HAVE THE SAME NUMBERS. THE FOLLOWING CONVERSION TABLE SHOULD BE USED:-

TELEPHONE No. 330 TERMINAL	CORRESPONDING TERMINAL OF TELEPHONE No. 321
1	1
2	7
3 NOT USED	-
4	4
5	5
6	6
7	2
8	3
9	9
10	10
11	11
12	13
13	-
-	12
-	8