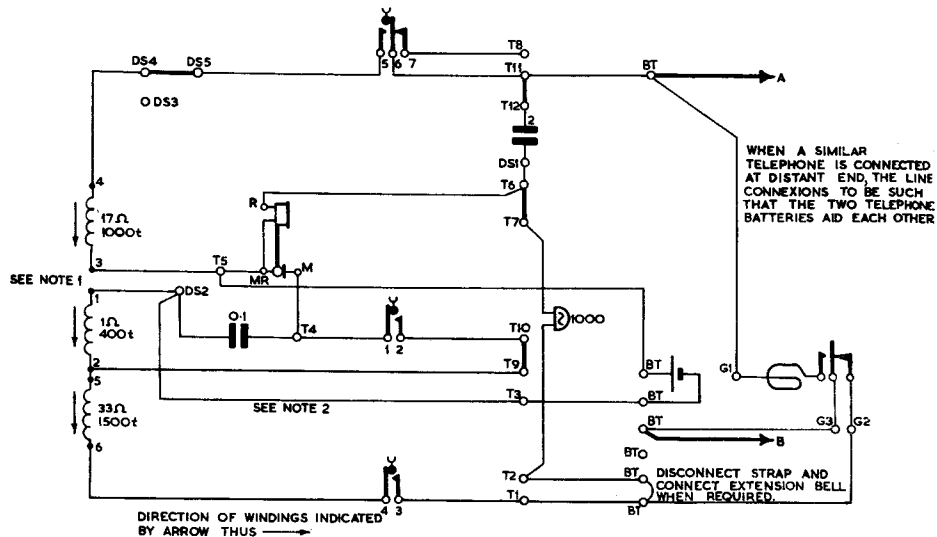
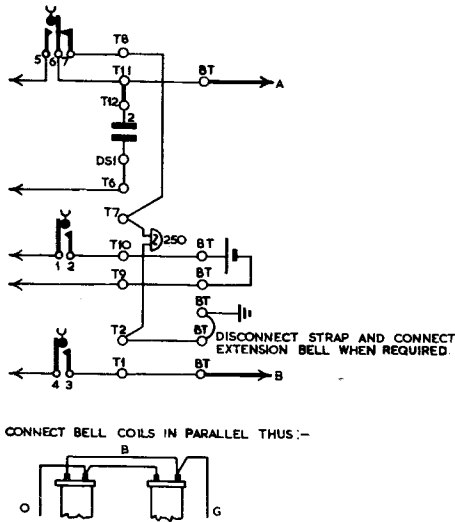


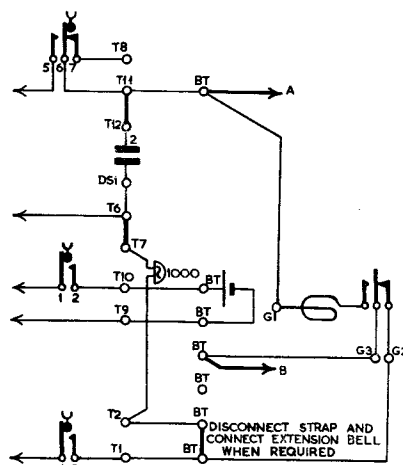
MODIFICATIONS FOR USE ON PRIVATE CIRCUITS WITHOUT STANDING D.C.



TELEPHONE No.396LB CONNEXIONS FOR USE ON C.B.S. No.1 EXCHANGE SYSTEM.

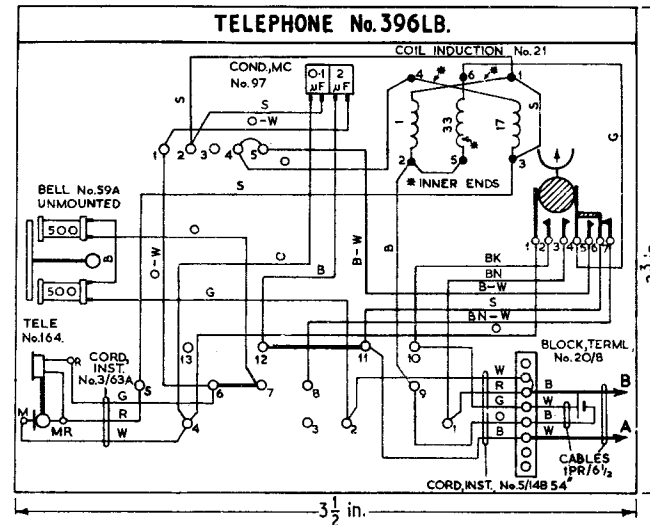


TELEPHONE No.396LB AND GENERATOR No. 26AN CONNEXIONS FOR USE ON MAGNETO EXCHANGE SYSTEM.



TELEPHONE No.396 L. B.

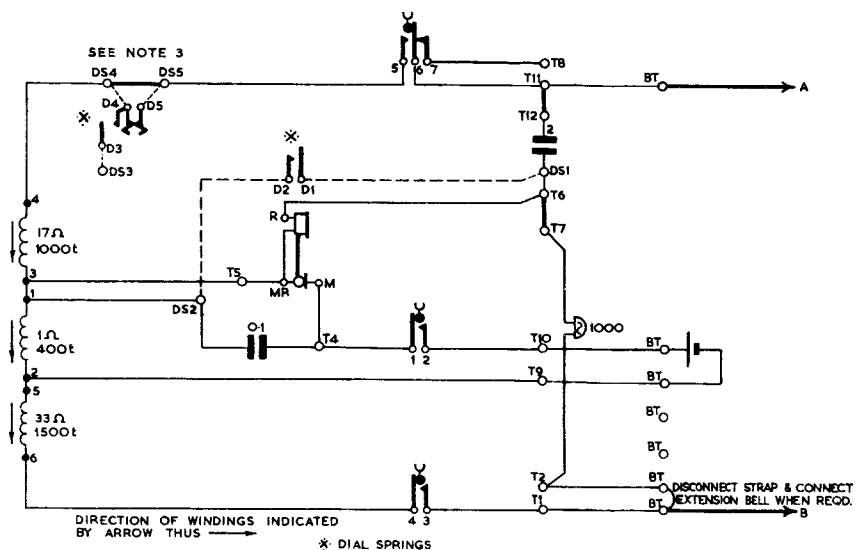
LOCAL BATTERY TABLE TELEPHONE FOR USE IN C.B.S. Nos.1,2,3, MAGNETO AREAS, PRIVATE CIRCUITS WITHOUT TRANSMISSION FEEDS AND IN MOBILE VANS.



NOTES

1. Disconnect wire between induction coil terminals 1 and 3.
2. Connect T3 to DS2.
3. For use in mobile van in an automatic exchange area add Dial, Automatic No.12 LA, remove strap between terminals DS4 and DS5 and add connexions shown dotted.

EXPLANATORY TELE. No.396 AS ISSUED CONNEXIONS FOR USE ON C.B.S. 2 & 3 EXCHANGE SYSTEMS. DIAL & CONNEXIONS SHOWN DOTTED ADDED, WHEN TELE. IS USED IN MOBILE VAN IN AUTOMATIC EXCHANGE AREA.



P.O.T.D.D. TD 1.4.1			
PAPER: W			
CIRCULATION	ISSUES		
GENERAL	F	New format	26-1-68
	E	Notes 1 & 2 added to panel 4.	7-3-61
		E.S.R. S.Br.	16-7-37