

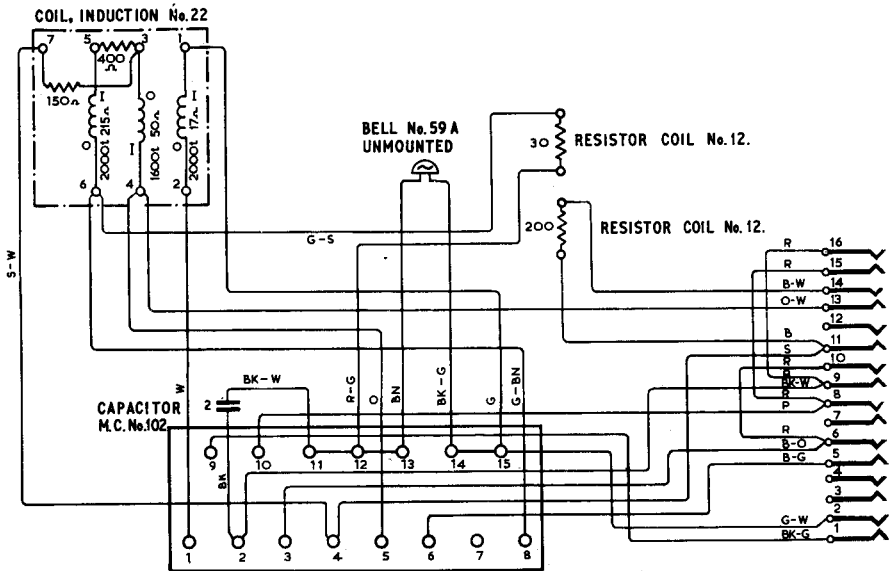
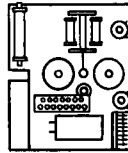
BELL SET No. 33 (MARK 1).

FOR MOUNTING INSIDE:-
 BOX, COIN COLLECTING, No.14D COMPLETE OR
 BOX, COIN COLLECTING, No.14E COMPLETE.
 AUTOMATIC SYSTEM.

N. 533

PAGE 1-3
 ISSUE E

SUPERSEDED BY
 N. 533 PAGE 3
 FOR NEW WORK



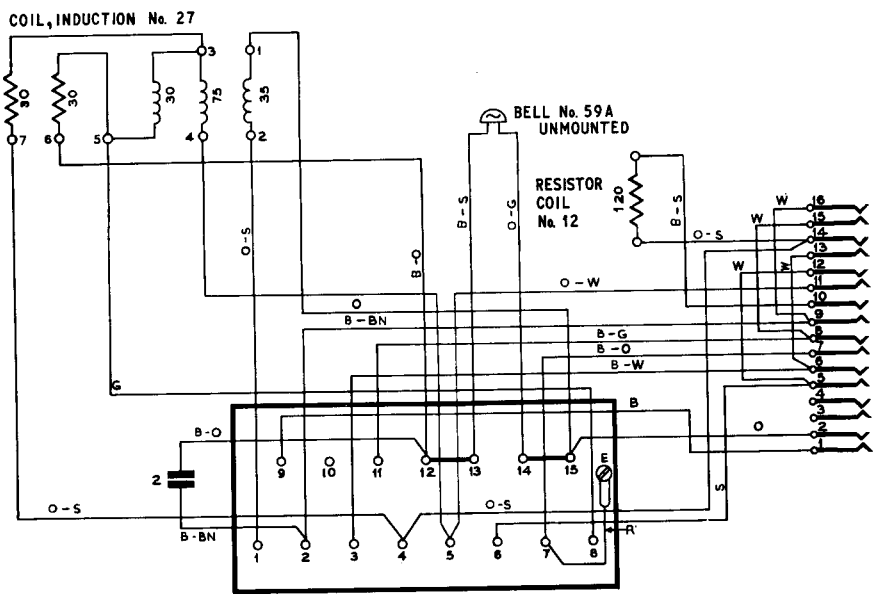
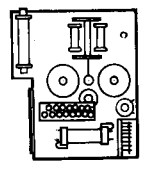
NOTE:

For relevant call office circuit see diagram AT3895 (N2408).

| | | | |
|-----------------------------|--------|---------------------------|--------------|
| P.O.E.D. TD 1.4 | | | |
| PAPER: Y | | | |
| CIRCULATION C.B. & AUTO. | | | |
| | ISSUES | | |
| | E | NEW FORMAT <i>///</i> | 22 - 1 - 68 |
| | D | COLOURS CHANGED ON PAGE 3 | 18 - 3 - 58 |
| | C | MK 2. 30Ω RES. DELETED | 16 - 8 - 54 |
| | | E.S.R. S1 | 23 - 12 - 35 |

BELL SET No. 33 (MARK 3)
FOR MOUNTING INSIDE BOXES,
COIN COLLECTING, No.14..... COMPLETE.
AUTOMATIC SYSTEM.

N. 533
PAGE 3-3
ISSUE E
SUPERSEDES
N.533. PAGE 1
FOR NEW WORK



NOTE:
 The relevant call office diagram is N2408.

| | | | |
|------------------------------|--------|---------------------------|--------------|
| P.O.E.D. TD 1.4 | ISSUES | | |
| | | | |
| | | | |
| | | | |
| | | | |
| PAPER: W | | | |
| CIRCULATION C. B. & AUTO. | E | NEW FORMAT <i>slk</i> | 22 - 1 - 68 |
| | D | COLOURS CHANGED ON PAGE 3 | 18 - 3 - 58 |
| | | E. S. R. S1 | 23 - 12 - 25 |