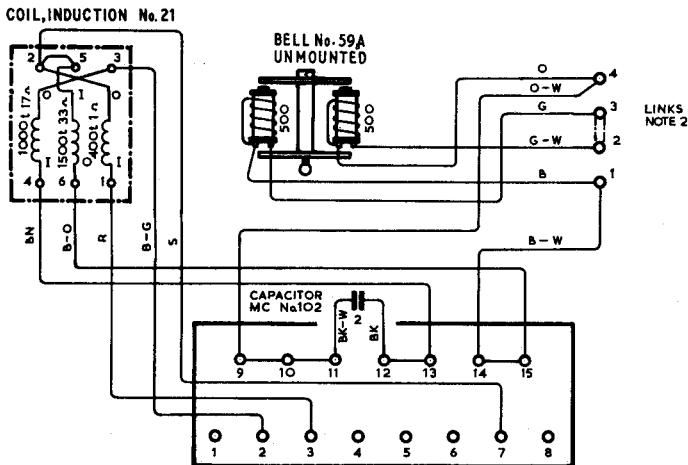
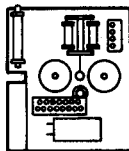


**BELL SET No. 34 (MARK 1)**  
**FOR MOUNTING INSIDE BOX, COIN COLLECTING**  
**No. 16 B COMPLETE.**  
**C.B.S. SYSTEMS.**

**N. 534**  
**PAGE 1-3**  
**ISSUE D**

**SUPERSEDED BY**  
**N.534 PAGE 3**  
**FOR NEW WORK**



**NOTES:**

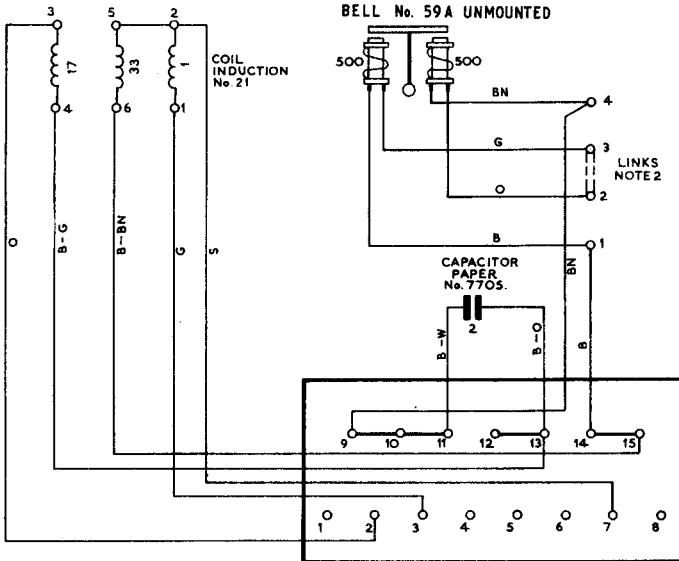
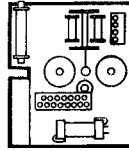
1. For relevant Call Office circuits see CBS No.1 system, diagram CBS 821 (N2410) CBS Nos.2 and 3 systems, diagram CBS 820 (N2409).
2. When used in CBS No.1 areas, the links between bell terminals 2-3 should be removed and reconnected between terminals 1-2 and 3-4 respectively.

P.O.E.D. TD 1.4	ISSUES			
		D	NEW FORMAT <i>MARK</i>	22 - 1 - 68
		C	BELL LEADS ON PAGE 3 REVERSED	4 - 4 - 56
GENERAL		E.S.R. S. 1.	23 - 12 - 35	

N. 534  
PAGE 2-3  
ISSUE D

**BELL SET No. 34 (MARK 2)**  
**FOR MOUNTING INSIDE BOX, COIN COLLECTING**  
**No. 16 B COMPLETE.**  
**MAGNETO & CBS SYSTEMS**

**N. 534**  
**PAGE 3-3**  
**ISSUE D**  
 SUPERSEDES  
 N. 534 PAGE 1  
 FOR NEW WORK



**NOTES:**

1. The relevant Call Office diagram is N2409 (CBS Nos. 2 and 3) and N2410 (CBS No. 1).
2. When used in CBS No. 1 areas, the links between bell terminals 2-3 should be removed and reconnected between terminals 1-2 and 3-4 respectively.

P.O.E.D. TD 1.4	ISSUES			
PAPER: W CIRCULATION GENERAL	ISSUES	D	NEW FORMAT <i>MR</i>	22 - 1 - 68
		C	BELL LEADS ON PAGE 3 REVERSED	4 - 4 - 56
			E. S. R. S 1	23 - 12 - 35