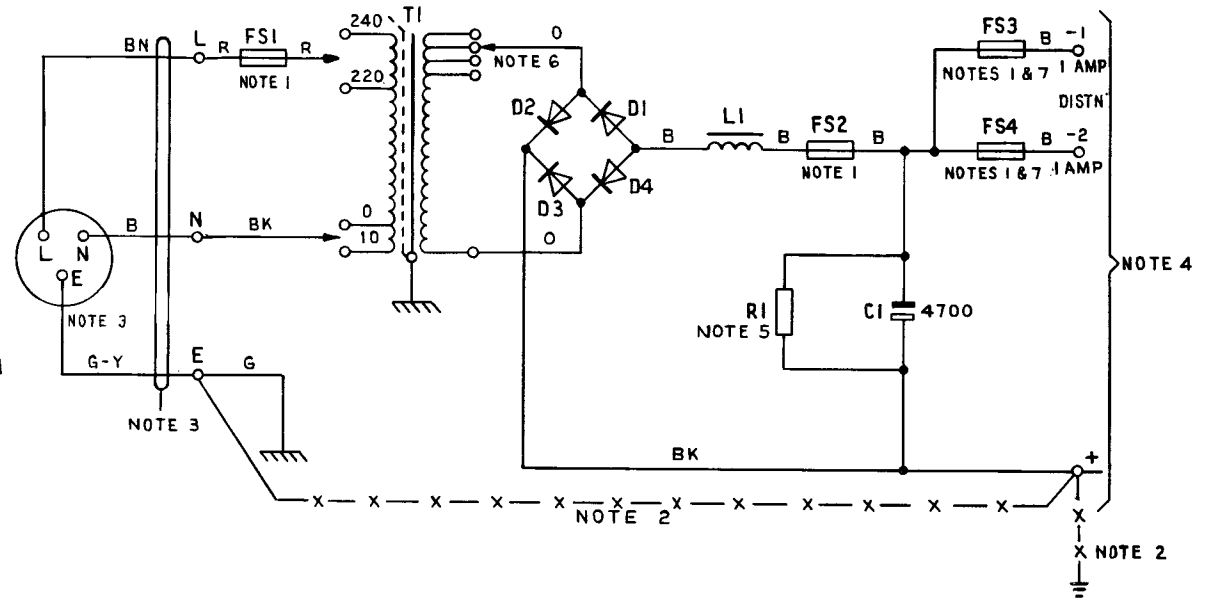


POWER-UNIT No 52A  
50V.2·0A DC  
SUPPLY FROM 50Hz A.C. MAINS

N637  
ISSUE E

NOTES:-

1. FS1 :- FUSE No. 36A/1      FS2 :- FUSE No. 36A/2  
FS3 :- FUSE No. 36/1      FS4 :- FUSE No. 36/1
2. ONE SIDE OF THE OUTPUT (NORMALLY +) SHOULD BE CONNECTED, WITH WIRE, EARTHING 9141 OR 9142, TO THE TELEPHONE SIGNALLING EARTH, WHICH MUST BE PROVIDED USING ONE OF THE METHODS SHOWN IN TI A2 E1006. THE MAINS PROTECTIVE EARTH MUST NOT BE UTILISED FOR THE TELEPHONE SIGNALLING EARTH. THESE TWO EARTHS MUST BE CONNECTED TOGETHER AT THE TERMINAL BLOCK OF THE POWER-UNIT WITH WIRE, EARTHING 9141 OR 9142. SEE WIRING SHOWN THUS -X-X-
3. CORD, FLEXIBLE 3183 Y 1·5mm<sup>2</sup>, AND B.S.3 PIN PLUG TO SUIT SOCKET TO BE REQUISITIONED SEPARATELY AND FITTED LOCALLY FUSED PLUGS SHALL BE FITTED WITH 3 AMP FUSES.
4. OUTPUT CABLING:- SEE APPROPRIATE INSTALLATION DIAGRAM OR INSTRUCTION
5. VALUE CHOSEN BY MANUFACTURER.
6. THESE TAPS ARE SET BY THE MANUFACTURERS AND SHOULD NOT NORMALLY NEED TO BE DISTURBED.
7. FOR A SUPPLY LOAD OF 2AMPS. RECOVER FS4, REPLACE FS3 BY FUSE No.36/2 AND CONNECT LOAD TO DISTN-1.



P.O TELECOMMS HQRS			
PAPER:- W	ISSUE	E	TRANSFORMER 200V. TAPPING REMOVED. WIRE COLOURS & CAPACITOR VALUE CHANGED. NOTES 2,3 & 4 AMENDED DLW TD 7·2·3
DISTN:- GENERAL		D	EARTH WIRE SPECIFIED KMA
			31-1-77
			7-3-68