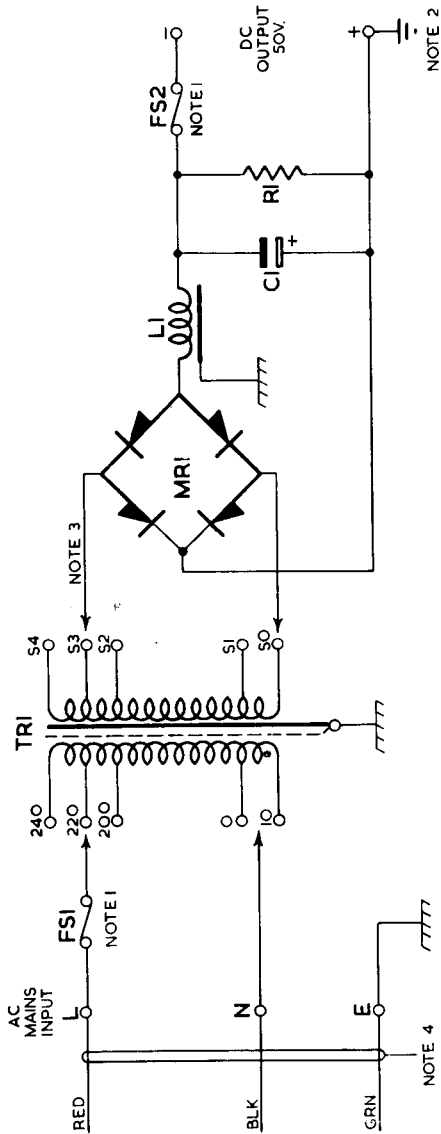


POWER UNIT No.43A

50V. 2A. DC. POWER SUPPLY FROM 50^C/s A.C. MAINS

N639

ISSUE A



NOTES:-

1. FS1 - FUSE No. 36A/1. FS2 - FUSE No. 36/2.
 2. ONE SIDE OF THE OUTPUT (+) SHOULD BE EARTHED TO THE LOCAL TELEPHONE EARTH WHICH MUST BE KEPT SEPARATE FROM THE MAINS EARTH CONNECTED TO THE CASE.
 3. THESE TAPS ARE SET BY THE MANUFACTURER & MUST NOT BE DISTURBED.
-
- THE ARRANGEMENT SHOWN IS TYPICAL ONLY - SEE PASTER DIAGRAM FOR WIRING DETAIL.
4. CORD FLEXIBLE 250V. TRS 3 CORE 0-0012 SQ. IN. AND PLUG TO SUIT SOCKET TO BE REQUISITIONED SEPARATELY AND FITTED LOCALLY.

P.O.E.D.
S BCH.

PAPER:- W
CIRCULATION
GENERAL

ISSUES		
A	NEW FORMAT. K.M.G.	2-6-66
	H. THWAITE s3/3	24-12-57