

REGULATION

GENERAL

6. 3. 64 C  
19. 3. 63 B  
23. 2. 61 A

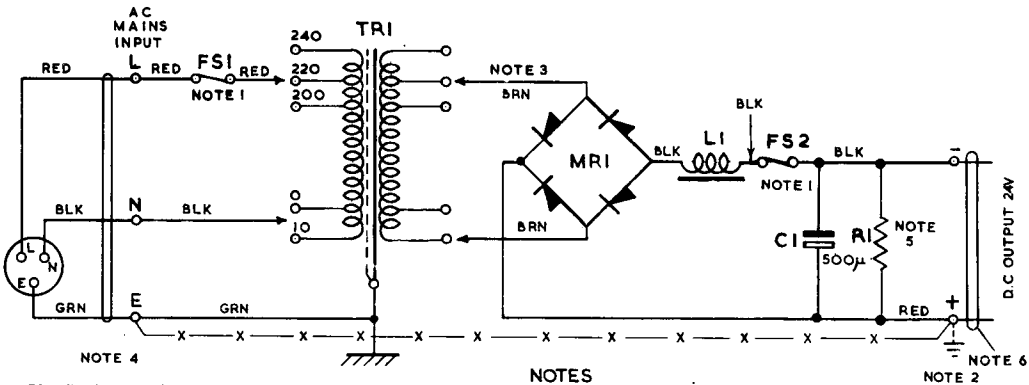
NOTE 2 AMENDED  
FS1 WAS 36A/O-1 FS2 WAS 36/O-5  
FS2 MOVED

W

## POWER UNIT No.55A

24V. 0.3A D.C. POWER SUPPLY FROM 50% A.C. MAINS

N667  
24-8-60



### NOTES

1. FS1 - FUSE No.36A/O-2 FS2 - FUSE No.36A/O-5.
2. ONE SIDE OF THE OUTPUT (NORMALLY +) SHOULD BE CONNECTED TO THE TELEPHONE SIGNALLING EARTH. THE MAINS PROTECTIVE EARTH MUST NOT BE UTILISED FOR THE TELEPHONE SIGNALLING EARTH. AN ENTIRELY INDEPENDENT CONNEXION TO A SEPARATE EARTH e.g. AN ADDITIONAL SPIKE MUST BE PROVIDED. THESE TWO EARTHS SHALL BE CONNECTED TOGETHER AT THE TERMINAL BLOCK OF THE POWER UNIT BY AN INSULATED CONDUCTOR SIMILAR TO THAT USED FOR THE MAINS PROTECTIVE EARTH CONNEXION. SEE WIRING SHOWN THUS — X — X —
3. THESE TAPS ARE SET BY THE MANUFACTURER AND SHOULD NOT NORMALLY NEED TO BE DISTURBED. THE ARRANGEMENTS SHOWN IS TYPICAL ONLY—SEE PASTER DGM. FOR WIRING DETAILS.
4. CORD FLEXIBLE 250V, P.V.C OR TRS.3 CORE 0.0006 SQ. IN. AND B.53 PIN PLUG TO SUIT SOCKET TO BE REQUISITIONED SEPARATELY AND FITTED LOCALLY.
5. VALUE CHOSEN BY MANUFACTURER.
6. CABLE P.V.C. No.1 2 WIRE 6 1/2 lb TO BE REQUISITIONED SEPARATELY AND FITTED LOCALLY