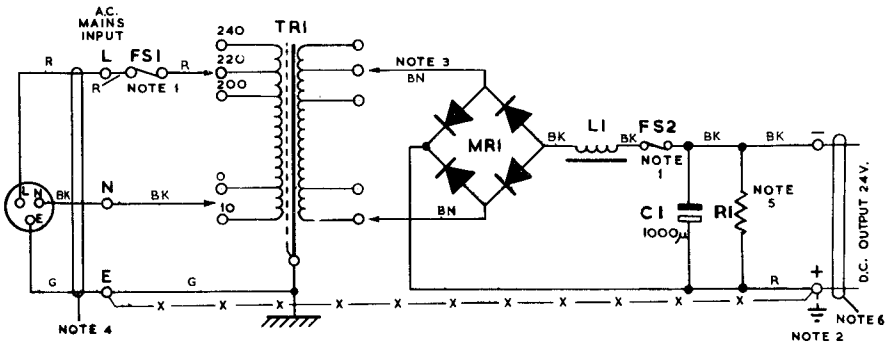


POWER UNIT No. 56A
24V. 1A D.C. POWER SUPPLY FROM 50%_s A.C. MAINS

N 668
ISSUE D



NOTES:

1. FS1 - Fuse No.36/0-35. FS2 - Fuse No.36A/1-0.
2. One side of the output (normally +) should be connected to the telephone signalling earth with wire copper soft stranded 3/20. The mains protective earth must not be utilised for the telephone signalling earth. An entirely independent connexion to a separate earth e.g. an additional spike must be provided. These two earths shall be connected together at the terminal block of the power unit by an insulated conductor similar to that used for the mains protective earth connexion, see wiring shown thus —X—X—
3. These taps are set by the manufacturer and should not normally need to be disturbed. The arrangement shown is typical only—see Paster Diagram for wiring details.
4. Flexible 250v. P.V.C. or T.R.S.3 core 0.0006 sq.in. and B.S.3 pin plug to suit socket to be requisitioned separately and fitted locally.
5. Value chosen by manufacturer.
6. Cable P.V.C. No.1. 4 wire 6½ lb. to be requisitioned separately and fitted locally using wires bunched to form a pair.

P.O.E.D. S BCH.	ISSUES		
PAPER: W CIRCULATION GENERAL	ISSUES	D	NEW FORMAT. EARTH WIRE SPEC ^D kma 17 - 1 - 68
		C	NOTE 2 AMENDED. 6 - 2 - 64
			M. B. K. S/3 24 - 8 - 60