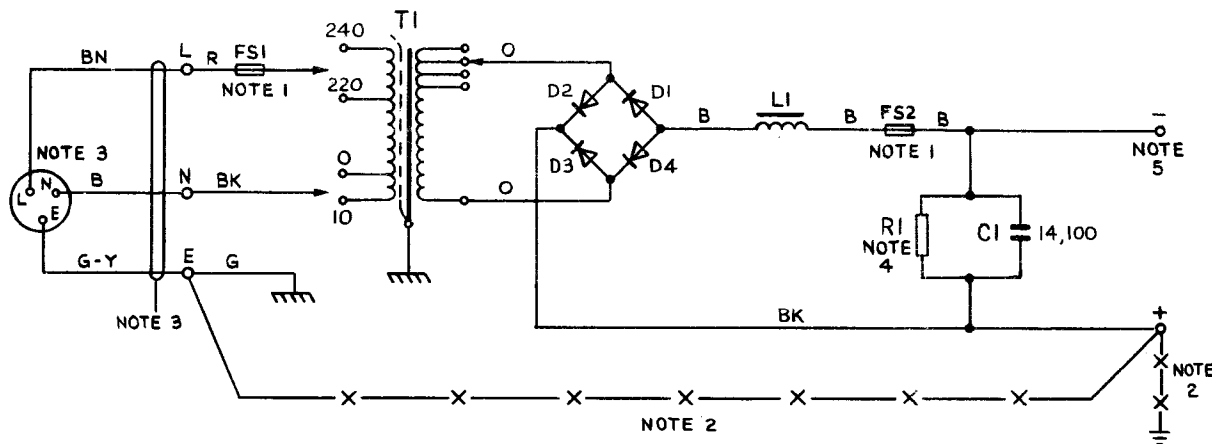


POWER-UNIT No.78A
50V 12-0A DC SUPPLY FROM 50Hz AC MAINS

N685
ISSUE B

- 1 FSI - FUSE No.36A/5-0
FS2 - FUSE No. 57/15
- 2 ONE SIDE OF THE OUTPUT (NORMALLY +) SHOULD BE CONNECTED, WITH WIRE, EARTHING 9141 OR 9142, TO THE TELEPHONE SIGNALLING EARTH, WHICH MUST BE PROVIDED USING ONE OF THE METHODS SHOWN IN TI A2 E1006. THE MAINS PROTECTIVE EARTH MUST NOT BE UTILISED FOR THE TELEPHONE SIGNALLING EARTH. THESE TWO EARTHS MUST BE CONNECTED TOGETHER AT THE TERMINAL BLOCK OF THE POWER-UNIT WITH WIRE, EARTHING 9141 OR 9142. SEE WIRING SHOWN THUS -X-X-
- 3 CORD, FLEXIBLE 3183Y 1.5mm² AND BS 3-PIN PLUG TO SUIT SOCKET TO BE REQUISITIONED SEPARATELY AND FITTED LOCALLY. FUSED PLUGS SHALL BE FITTED WITH 13AMP FUSES
- 4 VALUE CHOSEN BY MANUFACTURER
- 5 OUTPUT CABLING - WHEN USED WITH PMBX No.4 SEE RELEVANT INSTALLATION INSTRUCTIONS



PO TELECOMMS HQRS PAPER :- W	ISSUE		
DISTN :- GENERAL	B	TRANSFORMER 200V TAPPING REMOVED. CAPACITOR VALUE AND WIRE COLOURS CHANGED. NOTES 2 & 3 AMENDED. D.L.W.TD 7-2-3	12-4-77
	A	EARTH WIRE SPECIFIED K.M.A.	8-11-67