

## IMAGINATION\* TELEPHONE SETS

### 430, 2430, 3430 AND 440-TYPE

#### IDENTIFICATION, CONNECTIONS AND MAINTENANCE



Fig. 1 — 440-Type



Fig. 2 — 430-Type

#### 1. GENERAL

1.01 This section provides identification, connections and maintenance information for the following sets:

- QSK430           □
- QSK2430       □
- QSK3430       □
- QSK440         □
- QSQM430
- QSQM2430
- QSQM3430
- QSQM440.

1.02 The IMAGINATION telephone sets are available in two basic designs: the 430, 2430, 3430-Type for desk application which can be converted to wall application and the 440-Type for desk application only.

1.03 The QSK430, QSK2430, QSK3430 and QSK440-Type telephone sets are factory wired for ring party service. The QSQM430, QSQM2430, QSQM3430 and QSQM440-Type telephone sets are factory wired for individual service.

1.04 The color codes for Station Apparatus are given in Section 500-1201-100.

#### 2. IDENTIFICATION

2.01 The 440-Type telephone (Fig. 1) is available only with rotary dial. The base is round, approximately 8 inches in diameter and 3-1/2 inches high. The handset rests off center to the rear of the base. The ringer volume control switch is on the bottom of the set.

2.02 The 430, 2430, 3430-Type telephones (Fig. 2) are rectangular in shape; approximately 8-1/2 inches long, 6-1/2 inches wide and 3-1/2 inches high. A pencil and pad are supplied with these telephones.

This type of telephone is available with DIGITONE\* (2430-Type), DIGIPULSE\* (3430-Type) or Rotary Dial (430-Type).

2.03 If the 430-, 2430-, 3430-Type sets are used in the desk application, the ringer volume control switch is on the bottom of the set. If the 430-, 2430-, 3430-Type sets are used in the wall application, the ringer volume control switch is on the left-hand side of the set.

*Note:* Additional pencils and pads are available from the store where the telephone was purchased.

### 3. MAINTENANCE

3.01 Maintenance of customer-owned accessories is the responsibility of the customer. For maintenance of company-owned apparatus, field maintenance should be limited to cleaning and adjusting line switch contacts and replacing components listed in Table A.

### 4. INSTALLATION

4.01 Information for the installation of IMAGINATION type telephone sets is contained in the following Charts:

- Chart 1 – Conversion of 430, 2430, 3430-Type Sets from Desk to Wall Application
- Chart 2 – Substitution of the Ringer
- Chart 3 – Substitution of the Dial
- Chart 4 – Substitution of the Network on 430, 2430, 3430-Type Telephone Sets
- Chart 5 – Substitution of the Network on 440-Type Telephone Sets
- Chart 6 – Installation of the KANGAROO\* Applique
- Chart 7 – Installation of the DAWN\* Applique
- Chart 8 – Installation of NOMAD\* .

TABLE A  
FIELD REPLACEABLE ITEMS

Dial	QDB1U, NE-35Q3A1X, NE-35QA1X or NE-35QB1X
Handset	QSE5A
Handset Cord	NE-H4CJ
Mounting Cord	NE-D3BN <input type="checkbox"/> or NE-D4QH
Transmitter Unit	NE-T1
Receiver Unit	NE-U1 or QUU1A
Ringer	NE-N1A or NE-D1QA
Network	QNB425E1 or QNB18C

**CHART 1**  
**CONVERSION OF 430, 2430, 3430-TYPE SET FROM DESK TO WALL APPLICATION**

STEP	PROCEDURE
1	Remove the faceplate by inserting the NS-16750,L3 releaser into the release hole located on the upper rear edge of the housing cover (Fig. 3).
2	Lift upward and back (to rear of set) on the faceplate.
3	Loosen the two screws in the cover until the screws disengage from the base.
4	Remove the mounting cord.
5	Remove the four chassis mounting screws.
6	Rotate chassis through 180°, and replace the chassis mounting screws.
7	Assemble volume control lever to base with screw assembly provided. <i>Note:</i> If applicable, NE-230QB4 adapter is to be assembled according to Fig. 12. This adapter must be ordered separately.
8	Route inside house wire through wiring channel into telephone set.
9	Attach set to wall, and connect it according to Table B, C, D, or E.
10	Move pencil holder to lower right-hand side of base.
11	Replace cover and faceplate.



**Fig. 3 — Method of Removing Faceplate**

**TABLE B**  
**CONNECTIONS FOR 430-TYPE SETS**

		COLOR	INDIVIDUAL OR BRIDGED	RING PARTY	TIP PARTY	TIP PARTY 2650 Ω IDENT	'A' LEAD CONTROL
Mounting Cord at Connecting Block †	RING	R	R	R	G	G	R
	TIP	G	G	G	R	R	G
	GRD	Y	G	Y	Y	Y	Y
	AUX	BK	B	B	B	B	B
Mounting Cord at Network (Note 1)	RING	R	L2	L2	L1 L2	L1 L2	L2
	TIP	G	L1	L1	L2 L1	L2 L1	L1
	GRD	Y	G	G	G	G	G
	AUX	BK	*	*	*	*	*
Ringer (Note 1 and 2)		BK	L1 G	G	G	G	L1
		S	*	*	*	*	*
		R	K	K	K	K	K
		S-R	*	*	*	B	*
Dial		BL	F	F	F	F	F
		G	RR	RR	RR	RR	RR
		W	R	R	R	R	R
		W	GN	GN	GN	GN	GN
Line Switch		S-G	L1	L1	L1	L1	L1
		S-W	F	F	F	F	F
		S-R	GN	GN	GN	GN	GN
		S-BK	R	R	R	R	R
		S-BL	L3	L3	L3	L3	L3
		G	L3	L3	L3	L3	G
		S-BR	C	C	C	C	C
		S-Y	L2	L2	L2	L2	L2
		S	A	A	A	A	A

\* Indicates dead dress.

† For sets equipped with NE-D3BN or NE-D4BJ cord only.

Indicates wiring differences for sets equipped with NE-D4QH cord.

**Notes:**

1. For wall applications on sets equipped with NE-D3BN or NE-D4BJ cord:

Move the (BK) ringer lead from G to L1 on the network, and move the (R) and (G) mounting cord leads from L2 and L1 to L1 and L2, respectively, on the network.

2. If the telephone set is the only set on the premises, the ringer output may be increased by placing the ringer biasing spring in the high-tension notch.
3. For 'A' Lead Control use NE-D4BJ cord.

Not required by Bell Canada

**TABLE C**  
**CONNECTIONS FOR 2430-TYPE SETS**

		COLOR	INDIVIDUAL OR BRIDGED	RING PARTY	TIP PARTY	TIP PARTY 2650 Ω IDENT	'A' LEAD CONTROL
Mounting Cord at Connecting Block †	RING TIP	R G	R G	R G	G R	G R	R G
	GRD AUX	Y BK	G B	Y B	Y B	Y B	Y B
Mounting Cord at Network (Note 1)	RING TIP	R G	L2 L1	L2 L1	L1 L2 L2 L1	L1 L2 L2 L1	L2 L1
	GRD AUX	Y BK	G *	G *	G *	G *	G L3
Ringer (Note 1 and 2)		BK	L1 G	G	G	G	G
		R	K	K	K	K	K
		S	*	*	*	*	*
		S-R	*	*	*	B	*
Dial		W	Y	Y	Y	Y	Y
		R-G	R	R	R	R	R
		O-BK	C	C	C	C	C
		R	X	X	X	X	X
Line Switch		S-G	L1	L1	L1	L1	L1
		S-W	RR	RR	RR	RR	RR
		S-R	GN	GN	GN	GN	GN
		S-BK	R	R	R	R	R
		S-BL	L3	L3	L3	L3	L3
		G	L3	L3	L3	L3	G
		S-BR	C	C	C	C	C
		S-Y	L2	L2	L2	L2	L2
		S	A	A	A	A	A

\* Indicates dead dress.

† For sets equipped with NE-D3BN or NE-D4BJ cord only.

Indicates wiring differences for sets equipped with NE-D4QH cord.

**Notes:**

1. For wall applications on sets equipped with NE-D3BN or NE-D4BJ cord:

Move (BK) ringer lead from G to L1 on the network and move the (R) and (G) mounting cord leads from L2 and L1 to L1 and L2, respectively, on the network.

- ☐ 2. If the telephone set is the only set on the premises, the ringer output may be increased by placing the ringer biasing spring in the high-tension notch.
3. For 'A' Lead Control use NE-D4BJ cord.

☐ Not required by Bell Canada

**TABLE D**  
**CONNECTIONS FOR 3430A-TYPE SET**

		COLOR	INDIVIDUAL OR BRIDGED	RING PARTY	TIP PARTY	TIP PARTY 2650 Ω IDENT	'A' LEAD CONTROL
Mounting Cord at Connecting Block †	RING TIP	R G	R G	R G	G R	G R	R G
	GRD AUX	Y BK	G B	Y B	Y B	Y B	Y B
Mounting Cord at Network (Note 1)	RING TIP	R G	L2 L1	L2 L1	L1 L2 L2 L1	L1 L2 L2 L1	L2 L1
	GRD AUX	Y BK	G *	G *	G *	G *	G L3
Ringer (Note 1 and 2)		BK R S S-R	Y G K * *	G K * *	G K * *	G K * B	Y K * *
Dial		BK W BL R R-G	GN Y X L2 R	GN Y X L2 R	GN Y X L2 R	GN Y X L2 R	GN Y X L2 R
Line Switch		S-G S-W S-R S-BK S-BL G S-BR S-Y S	L1 RR GN R L3 L3 C X *	L1 RR GN R L3 L3 C X *	L1 RR GN R L3 L3 C X *	L1 RR GN R L3 L3 C X *	L1 RR GN R L3 G C X *
Jumper		R	L1 to Y	L1 to Y	L1 to Y	L1 to Y	L1 to Y

\* Indicates dead dress.

† For sets equipped with NE-D3BN or NE-D4BJ cord only.

Indicates wiring differences for sets equipped with NE-D4QH cord.

**Notes:**

1. For wall applications on sets equipped with NE-D3BN or NE-D4BJ cord:

Move (BK) ringer lead from G to L1 on the network and move the (R) and (G) mounting cord leads from L2 and L1 to L1 and L2, respectively, on the network.

2. If the telephone set is the only set on the premises, the ringer output may be increased by placing the ringer biasing spring in the high-tension notch.

3. For 'A' Lead Control use NE-D4BJ cord.

Not required by Bell Canada

**TABLE E**  
**CONNECTIONS FOR 3430B-TYPE SET**

		COLOR	INDIVIDUAL OR BRIDGED	RING PARTY	TIP PARTY	TIP PARTY 2650 Ω IDENT	'A' LEAD CONTROL
Mounting Cord at Connecting Block †	RING TIP	R G	R G	R G	G R	G R	R G
	GRD AUX	Y BK	G B	Y B	Y B	Y B	Y B
Mounting Cord at Network (Note 1)	RING	R	L2	L2	L1 L2	L1 L2	L2
	TIP	G	L1	L1	L2 L1	L2 L1	L1
	GRD	Y	G	G	G	G	G
	AUX	BK	*	*	*	*	L3
Ringer (Note 1 and 2)	BK	L1 G	G	G	G	G	L1
	R	K	K	K	K	K	K
	S	*	*	*	*	*	*
	S-R	*	*	*	*	B	*
Dial	W	Y	Y	Y	Y	Y	Y
	BL	C	C	C	C	C	C
	R	X	X	X	X	X	X
	O-BK	RR	RR	RR	RR	RR	RR
Line Switch	S-G	L1	L1	L1	L1	L1	L1
	S-W	Y	Y	Y	Y	Y	Y
	S-R	GN	GN	GN	GN	GN	GN
	S-BK	R	R	R	R	R	R
	S-BL	L3	L3	L3	L3	L3	L3
	G	L3	L3	L3	L3	L3	G
	S-BR	X	X	X	X	X	X
	S-Y	L2	L2	L2	L2	L2	L2
	S	A	A	A	A	A	A

† For sets equipped with NE-D3BN or NE-D4BJ cord only.

Indicates wiring differences for sets equipped with NE-D4QH cord.

**Notes:**

1. For wall applications on sets equipped with NE-D3BN or NE-D4BJ cord:

Move (BK) ringer lead from G to L1 on the network and move the (R) and (G) mounting cord leads from L2 and L1 to L1 and L2, respectively, on the network.

2. If the telephone set is the only set on the premises, the ringer output may be increased by placing the ringer biasing spring in the high-tension notch.
3. For 'A' Lead Control use NE-D4BJ cord.

Not required by Bell Canada

**TABLE F**  
**CONNECTIONS FOR 440-TYPE SET**

		COLOR	INDIVIDUAL OR BRIDGED	RING PARTY	TIP PARTY	TIP PARTY 2650 Ω IDENT	'A' LEAD CONTROL
Mounting Cord at Connecting Block †	RING TIP	R G	R G	R G	G R	G R	R G
	GRD AUX	Y BK	G B	Y B	Y B	Y B	Y B
Mounting Cord at Network	RING	R	L2	L2	L1 L2	L1 L2	L2
	TIP	G	L1	L1	L2 L1	L2 L1	L1
	GRD	Y	G	G	G	G	G
	AUX	BK	X	X	X	X	G1
Ringer		BK	L1 G	G	G	2L	L1
		S	K	K	K	K	K
		S-R	A	A	A	G	A
		R	L2	L2	L2	2L	L2
Dial		BL	F	F	F	F	F
		G	RR	RR	RR	RR	RR
		W	R	R	R	R	R
		W	GN	GN	GN	GN	GN
Line Switch		S-G	L1	L1	L1	L1	L1
		S-W	F	F	F	F	F
		S-R	GN	GN	GN	GN	GN
		S-BK	R	R	R	R	R
		S-BL	G1	G1	G1	G1	G1
		G	G1	G1	G1	G1	G
		S-BR	C	C	C	C	C
		S-Y	L2	L2	L2	L2	L2
		S	1L	1L	1L	A	1L
Jumper			2L	2L	2L	2L	2L
			B	B	B	B	B

† For sets equipped with NE-D3BN or NE-D4BJ cord only.

☞ Indicates wiring differences for sets equipped with NE-D4QH cord.

**Note:** For 'A' Lead Control use a NE-D4BJ cord.

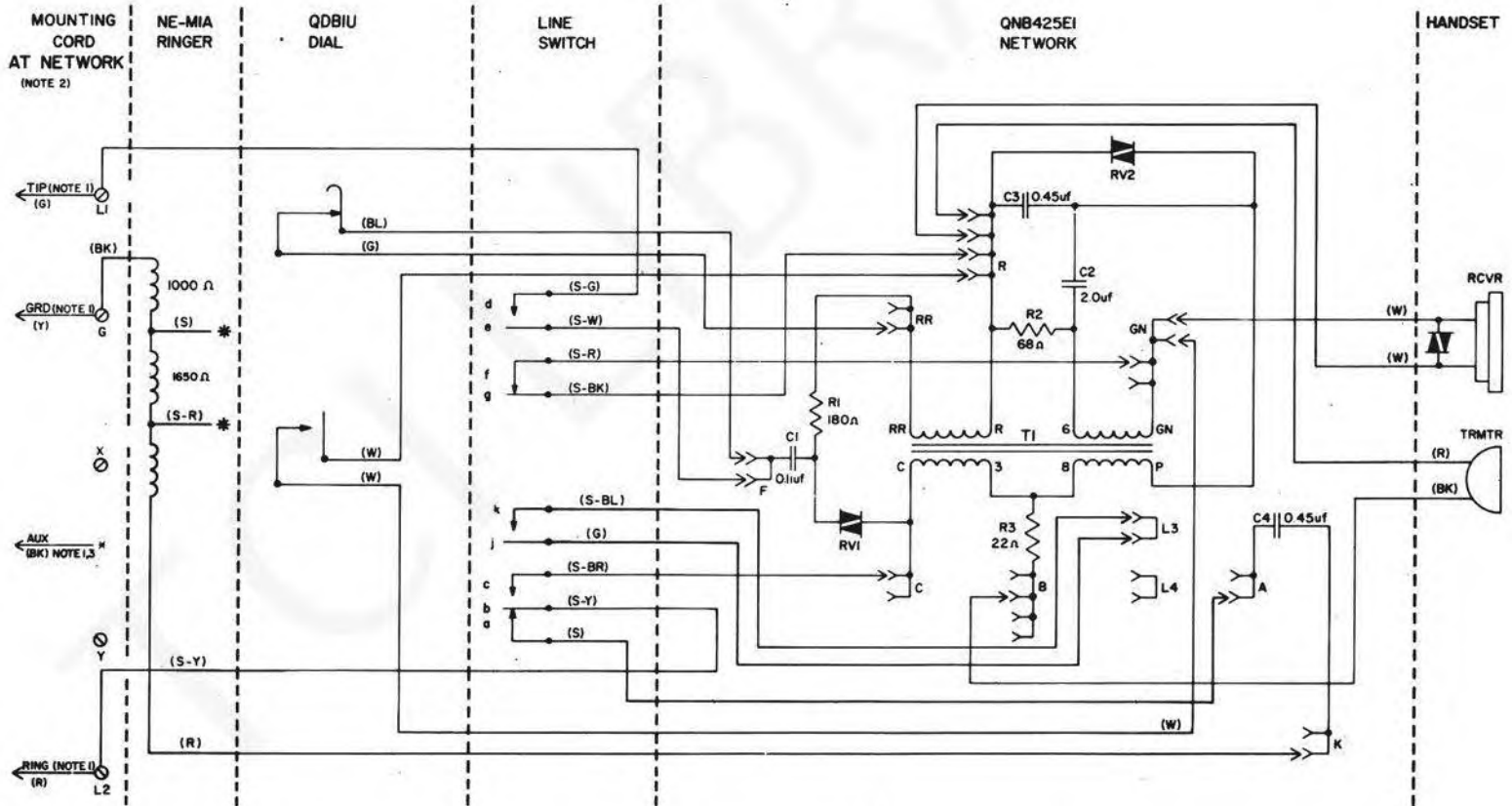


Fig. 4 — Schematic Diagram of 430A-Type Telephone Set

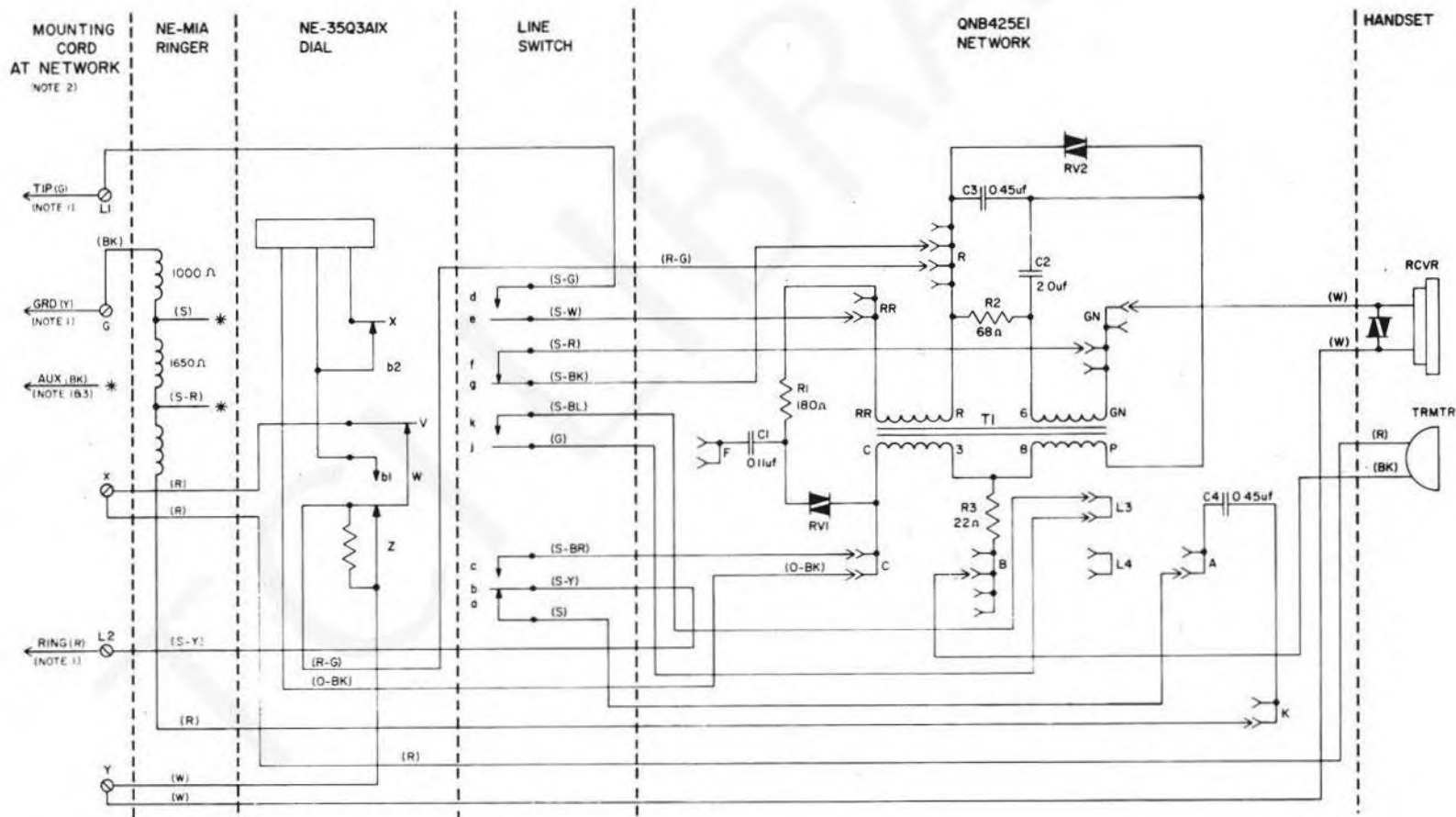


Fig. 5 — Schematic Diagram of 2430A-Type Telephone Set

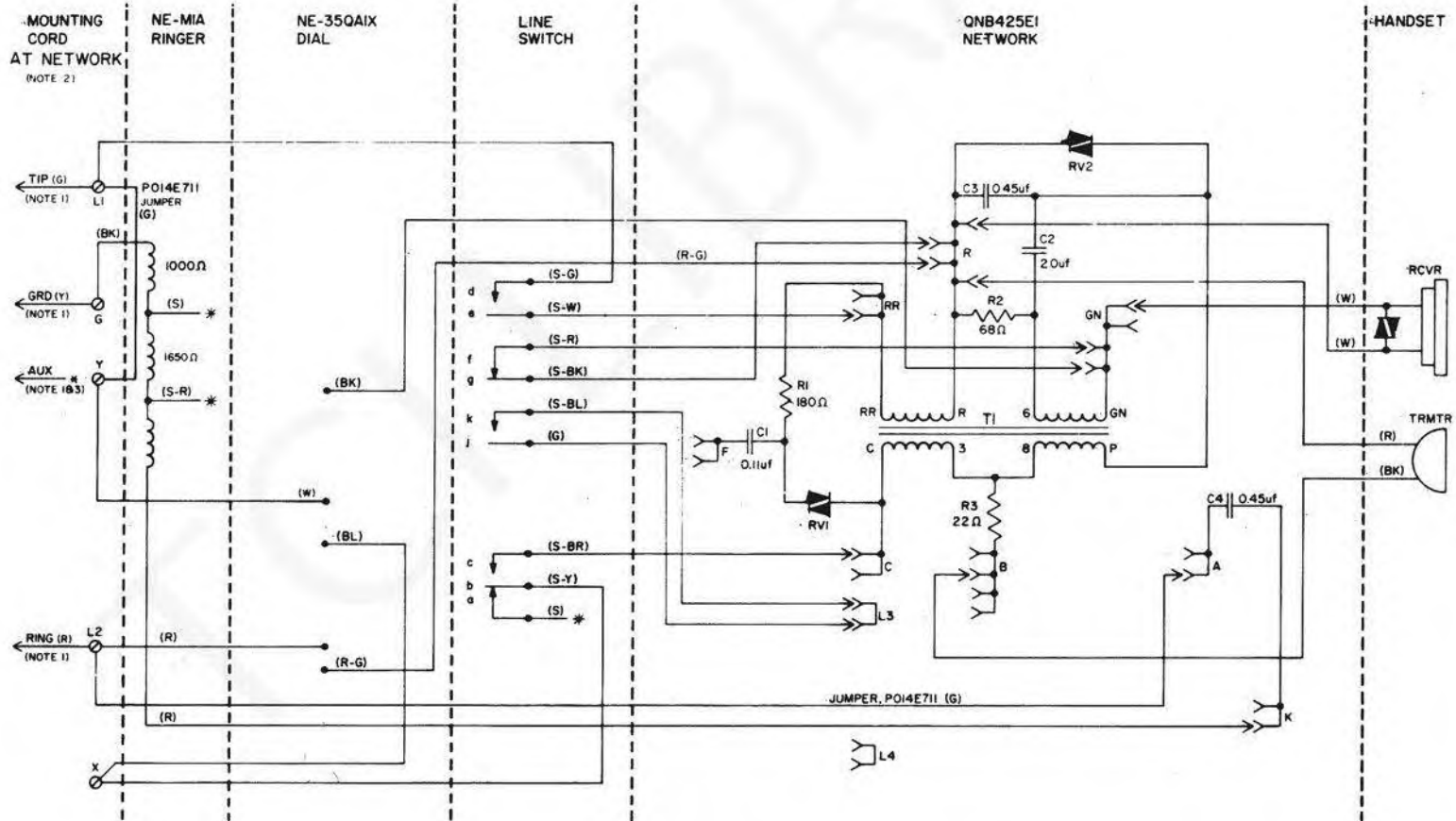


Fig. 6 — Schematic Diagram of 3430A-Type Telephone Set

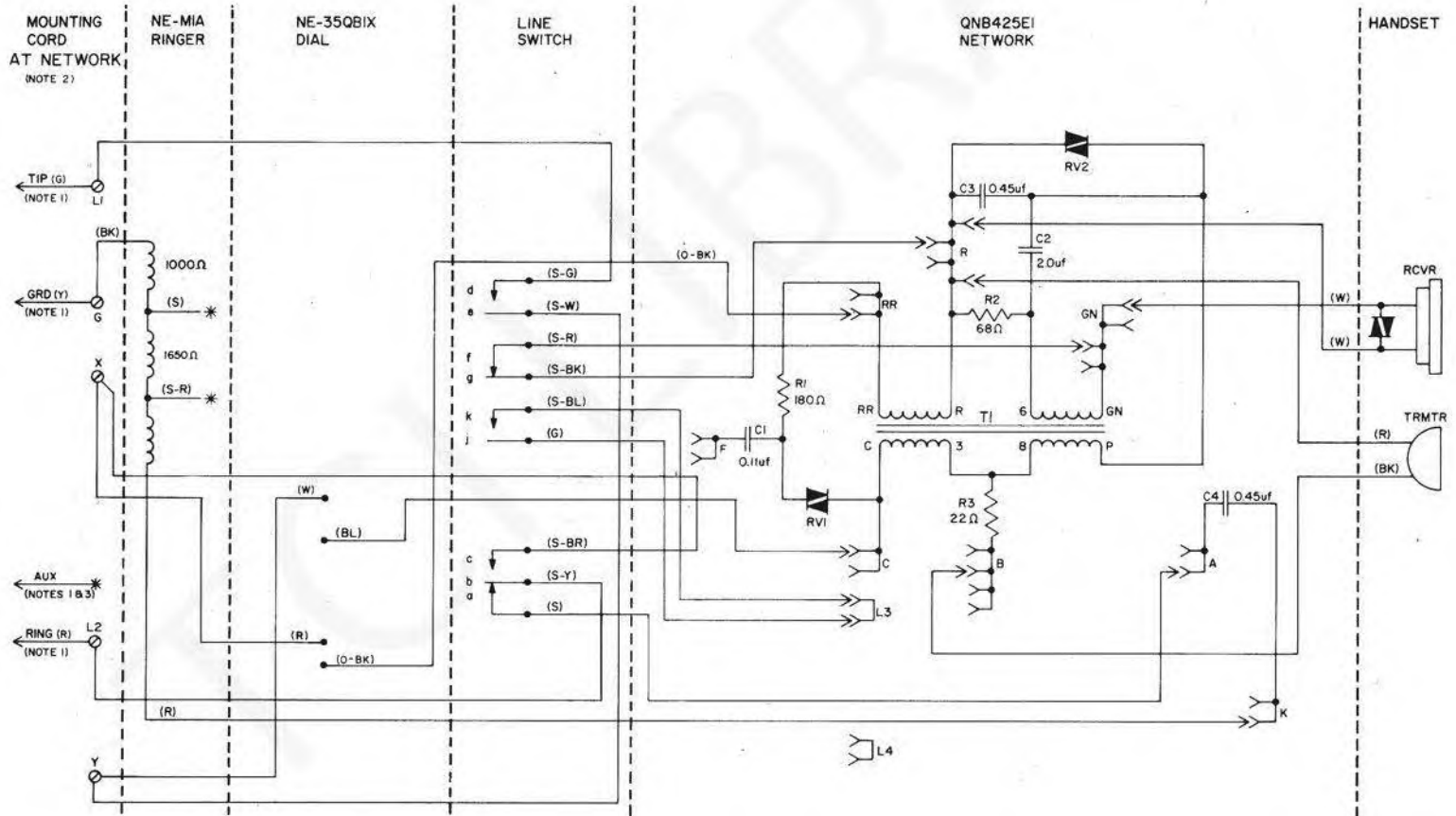


Fig. 7 — Schematic Diagram of 3430B-Type Telephone Set

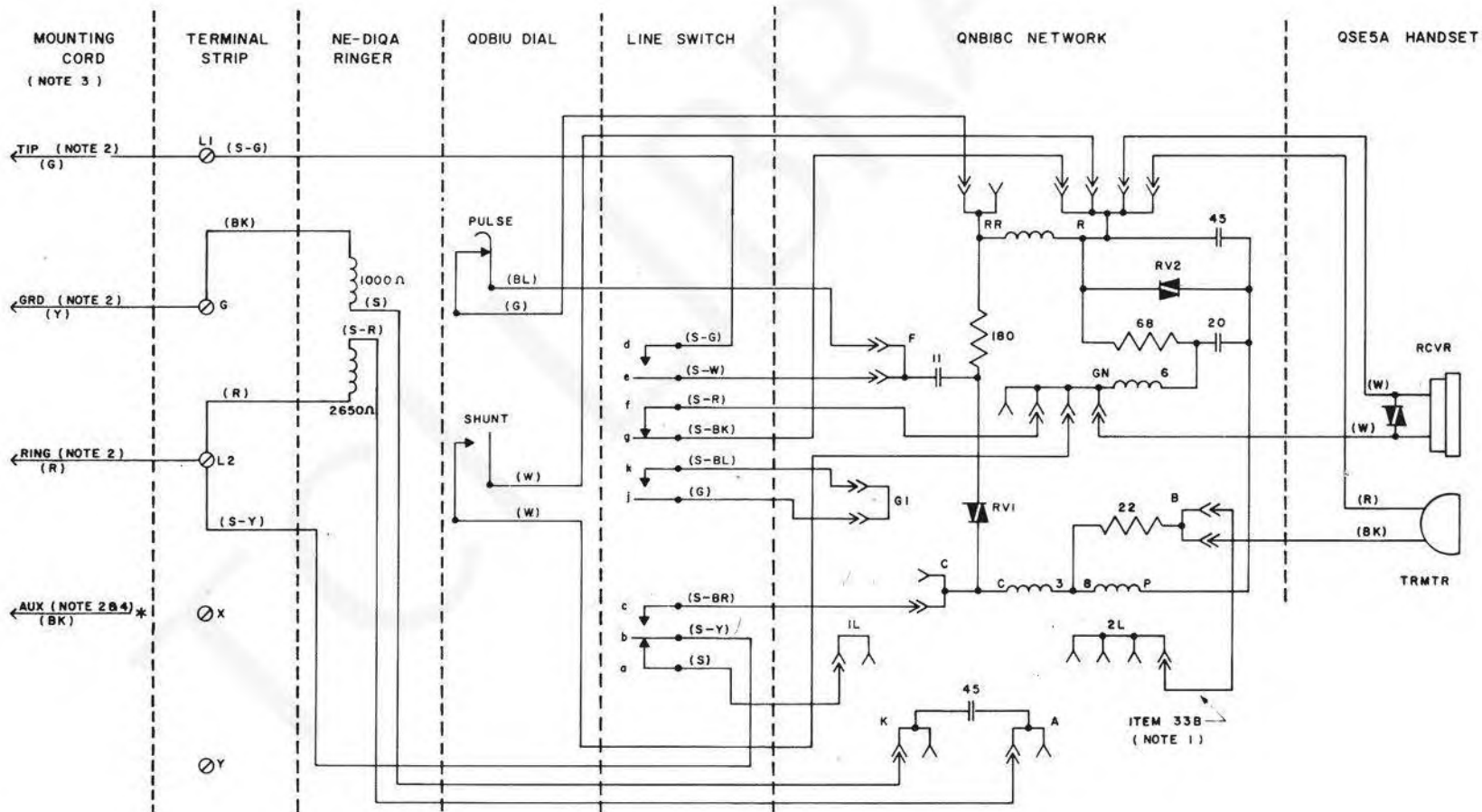


Fig. 8 — Schematic Diagram of 440A-Type Telephone Set

**TABLE G**  
**430, 2430, 3430-TYPE TELEPHONE SETS**  
**IDENTIFICATION OF PARTS**

ITEM NO.	PART NO.	DESCRIPTION	QSK430A □	QSK2430A □	QSK3430A □	QSK3430B □	QSQM430A	QSQM2430A	QSQM3430A	QSQM3430B
1	P0563498	Screw	2	2	2	2	2	2	2	2
2	P0573218	Screw	1				1			
3	P0111530	Screw	4	4	4	4	4	4	4	4
4	P0565017	Screw	2	2	2	2	2	2	2	2
5	P0297882	Rivet	4	4	4	4	4	4	4	4
6	P096D326	Foot (Note 2)								
7	P0565021	Pen Holder	1	1	1	1	1	1	1	1
9	P0563463	Line Switch Plunger	1	1	1	1	1	1	1	1
10	P0563481	Dial Bracket (Note 4)								
11	P0564100*	Base (Note 2)								
14	P0564300*	Faceplate Rotary (Note 3)								
	P0564400*	Faceplate Touch Pad (Note 3)								
16	P0564200*	Cover (Note 1)								
20B	P0563467	Chassis Assembly (Note 4)								
23B	P0563465	Line Switch Assembly	1	1	1	1	1	1	1	1
25B	P0522788	Dial Adapter Assembly (Left)		1	1	1		1	1	1
26B	P0573220	Dial Adapter Assembly (Right)		1	1	1		1	1	1
30	QNB425E1	Network	1	1	1	1	1	1	1	1
35	NE-M1A	Ringer	1	1	1	1	1	1	1	1
40	QSE5A-**	Handset	1	1	1	1	1	1	1	1
43	P097L403	Insulator	3	3	3	3	3	3	3	3
45	QDB1U	Dial	1				1			
	NE-35Q3A1X	Dial		1				1		
	NE-35QA1X	Dial			1				1	
	NE-35QB1X	Dial				1				1
55	NE-D3BN-**	Cord	1	1	1	1				
	NE-D4QH-1	Cord					1	1	1	1
60D	C0046825	Pencil	1	1	1	1	1	1	1	1
62D	P0565020	Pad	1	1	1	1	1	1	1	1
64	P0556312	Screw Assembly	1	1	1	1	1	1	1	1
65	P0565061	Volume Control Lever (Note 6)								
67D	P0535652	Card Holder Group		1	1	1		1	1	1
68D	P0573600*	Dial Card Assembly	1				1			

\* Replace the last two digits with the appropriate color code.

\*\* Add the appropriate color code.

**Notes:**

- Item 16 is shown for identification only, for replacement parts order as P0569900-\* Cover Assembly.
- Item 6 and 11 are shown for identification only, for replacement parts order as P0570700-\* Base Assembly.
- Item 14 is shown for identification only, for replacement parts order as P0570800-\* Faceplate and Pad Package (rotary) and P0571000-\* Faceplate and Pad Package (DIGITONE or DIGIPULSE).
- Items 10 and 20B are shown for identification only, for replacement parts order as P0569838 Chassis and Bracket Assembly.
- Item 55, NE-D3BN cord, is shipped loose, not engaged in channel of base.
- Item 65D, Volume Control Lever, shall be packed in a suitable poly bag with Item 64, Screw Assembly, and may be ordered as a kit, P0565069.

**TABLE H**  
**440-TYPE TELEPHONE SET**  
**IDENTIFICATION OF PARTS**

ITEM NO.	PART NO.	DESCRIPTION	QSK440A <input type="checkbox"/>	QSQM440A
1	P0565018	Screw (Note 1)		
2	P0565017	Screw	2	2
3	P097R154	Screw	2	2
4	P097G084	Screw	1	1
5	P0502646	Screw	1	1
6	P043A456	Screw	3	3
7	P096D326	Foot	4	4
9	P0563473	Volume Control	1	1
12	P0563474	Bracket, Left	1	1
13	P0563475	Bracket, Right	1	1
16	P0563472	Plunger	1	1
20	P0564500-*	Base Housing (Note 1)		
23	P0564600-*	Housing	1	1
25	P0563471	Base	1	1
27B	P096D303	Terminal Strip Assembly	1	1
30B	P0563465	Line Switch Assembly	1	1
35	QDB1U	Dial	1	1
40	NE-D1QA	Ringer	1	1
45	QNB18C	Network	1	1
50	QSE5A-**	Handset	1	1
53	NE-D3BN-**	Cord	1	
	NE-D4QH-1	Cord		1
57D	P0573600*	Dial Card Assembly	1	1

\* Replace the last two digits with the appropriate color code.  
 \*\* Add the appropriate color code.

*Note:* Items 1 and 20 are shown for identification purposes only, for replacement parts order as P0571100-\* Base Housing Assembly.

Not required by Bell Canada



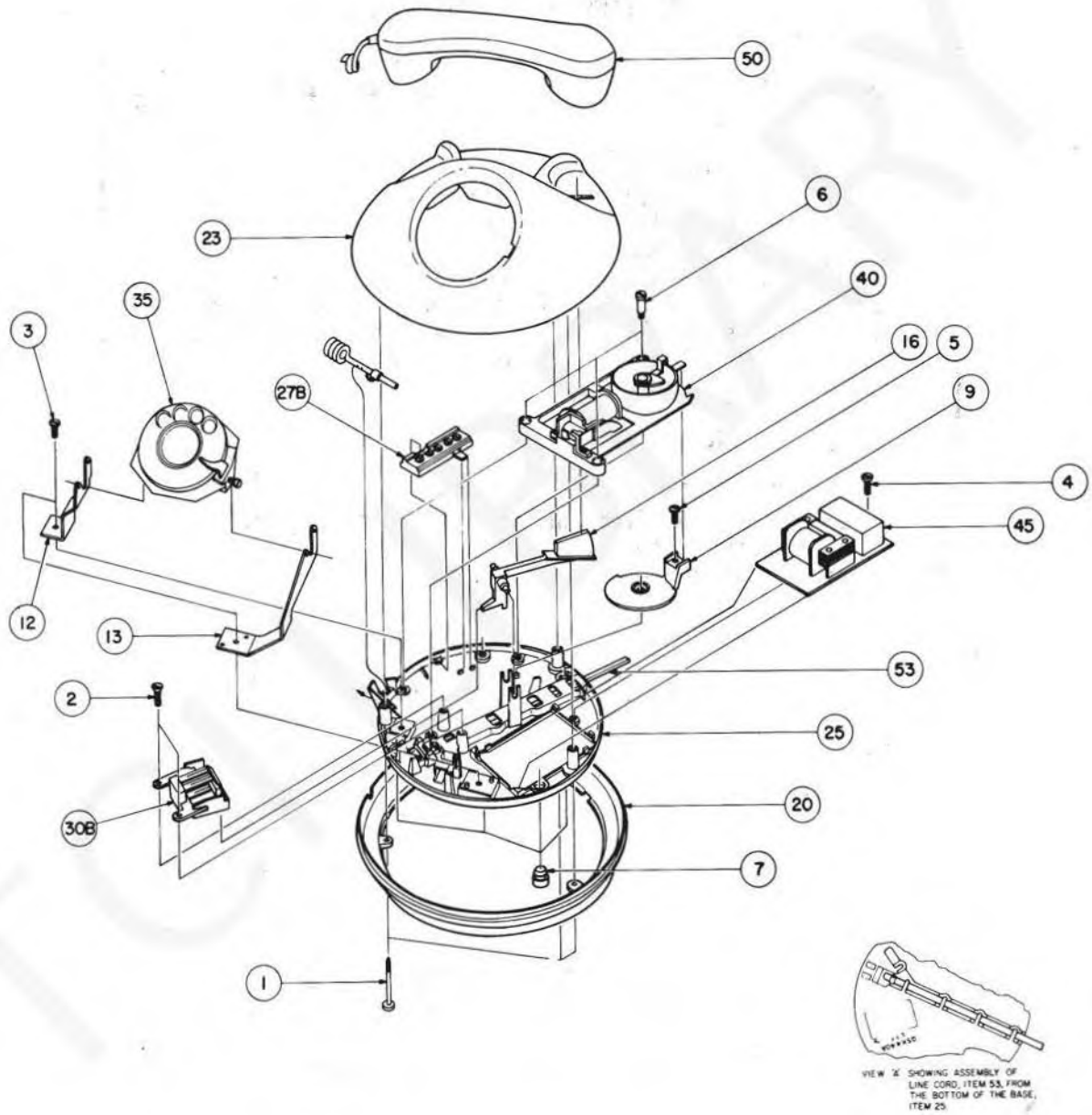


Fig. 10 — Exploded View of 440-Type Telephone Set

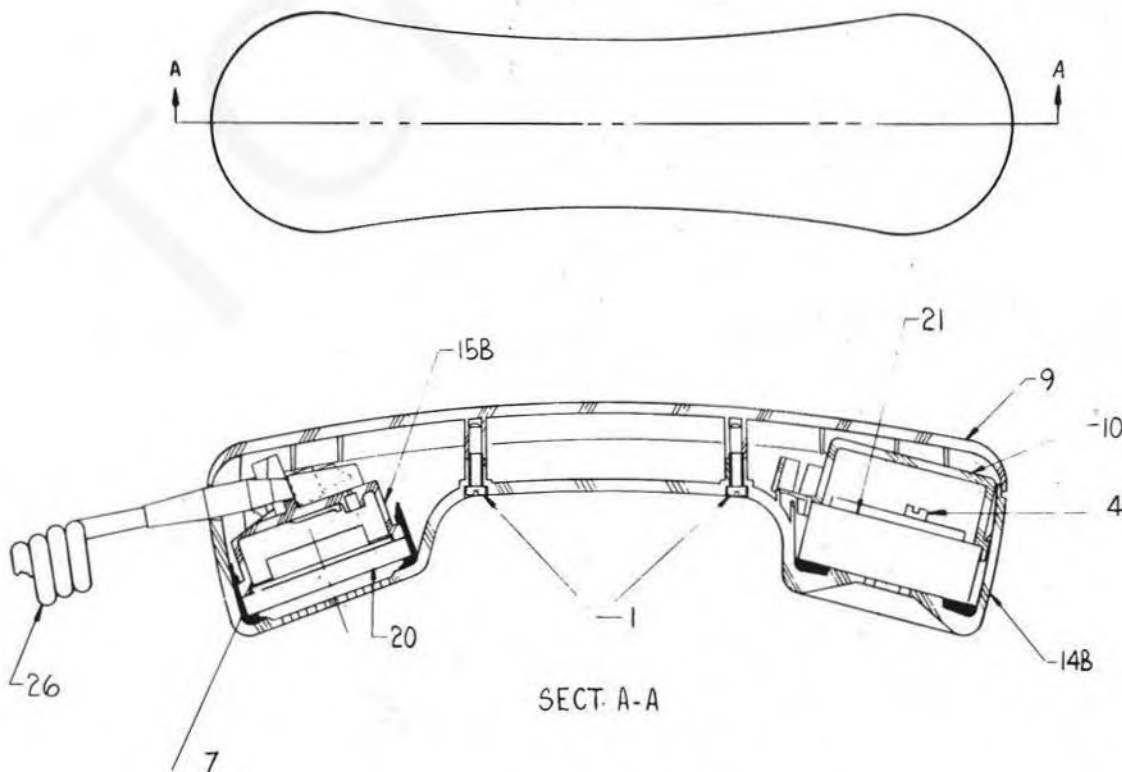
**TABLE J  
QSE5A HANDSET  
IDENTIFICATION OF PARTS**

ITEM NO.	PART NO.	DESCRIPTION	QSE5A
1	P0563499	Screw	2
2 or 4	P0249778†	Screw	4
7	P0565052	Transmitter Gasket	1
9	P0564900-*	Cover	1
10	P0563479	Receiver Cup	1
14B	P0564800-*	Instrument Section Assembly	1
15B	P0563478	Transmitter Cup Assembly	1
20	NE-T1	Transmitter Unit	1
21	NE-U1 or QUU1A	Receiver Unit	1
26	NE-H4CJ-**	Cord	1

\* Replace the last two digits with the appropriate color code.

† This item shown for information only.

\*\* Add the appropriate color code.



**Fig. 11 — Cross Section of QSE5A Handset**

**CHART 2  
SUBSTITUTION OF THE RINGER**

STEP	PROCEDURE
1a	<p>For the 430, 2430, 3430-Type telephone sets, remove the faceplate and cover by following these steps:</p> <ul style="list-style-type: none"> <li>● Remove the faceplate by inserting the NS-16750,L3 releaser into the release hole located on the upper rear edge of the housing cover.</li> <li>● Lift upward and back on the faceplate.</li> <li>● Loosen the screws in the cover until the screws disengage from the base.</li> </ul>
1b	For the 440-Type telephone set, remove the housing by loosening the three screws in the base of the set until the screws disengage from the housing.
2	Disconnect the ringer leads.
3	Loosen the ringer mounting screws until the screws disengage from the base, and remove the ringer.
4	Replace the ringer. See appropriate Table for connections.

**CHART 3  
SUBSTITUTION OF THE DIAL**

STEP	PROCEDURE
1	Remove faceplate and cover of housing according to Chart 2, Step 1a or b.
2	Loosen, but do not remove, the two screws on each side of the dial. For the right-hand screw, use edge of screw driver (430-Type only).
3	Lift the dial from the bracket (if necessary force the bracket arms away from the dial).
4	Disconnect the dial leads.
5	Replace the dial. See appropriate table for connections.
	<p><i>Note:</i> Position the dial so that the locating points on the dial are seated in the corresponding holes in the dial bracket.</p>

**CHART 4**  
**SUBSTITUTION OF THE NETWORK ON 430, 2430, 3430-TYPE TELEPHONE SETS**

---

<b>STEP</b>	<b>PROCEDURE</b>
1	Remove the faceplate and cover according to Chart 2, Step 1a.
2	Disconnect all leads on the network.
3	Insert the NS-16750,L3 releaser into the releaser hole of the tab on the network mounting adapter.
4	Slide and lift the network from the mounting adapter.
5	Replace the network. See appropriate Table for connections.

---

**CHART 5**  
**SUBSTITUTION OF THE NETWORK ON 440-TYPE TELEPHONE SETS**

---

<b>STEP</b>	<b>PROCEDURE</b>
1	Remove the housing according to Chart 2, Step 1b.
2	Disconnect all leads on the network.
3	Remove the network mounting screw.
4	Slide and lift the network until it disengages from the base.
5	Replace network. See Table F for connections.

---

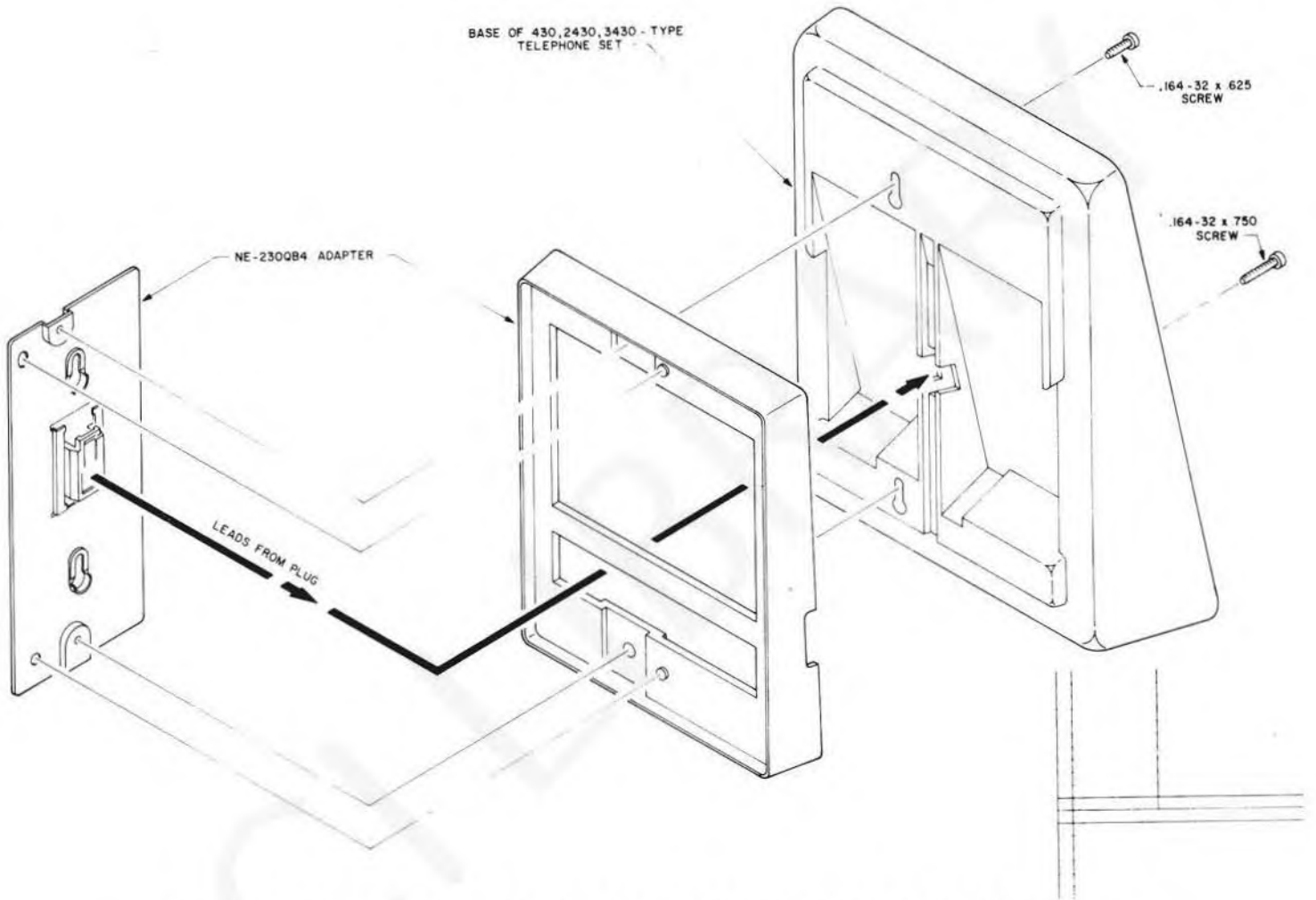


Fig. 12 — Method of Assembling NE-230QB4 Adapter to 430, 2430, 3430-Type Set

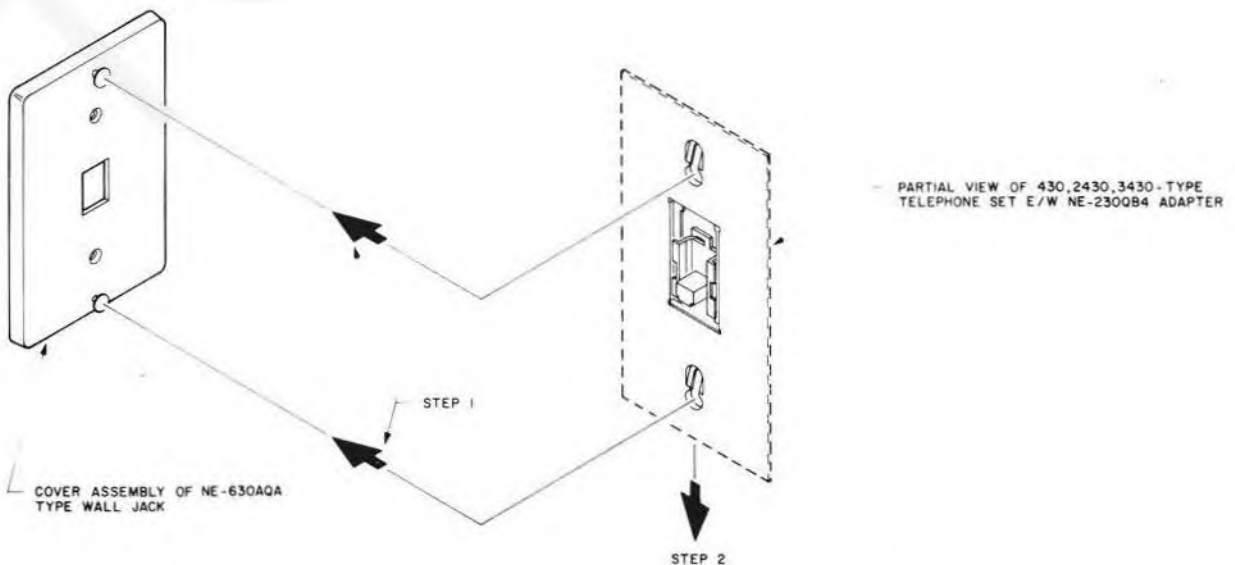


Fig. 13 — Method of Mounting Set E/W NE-230QB4 Adapter to NE-630AQA-Type Wall Jack

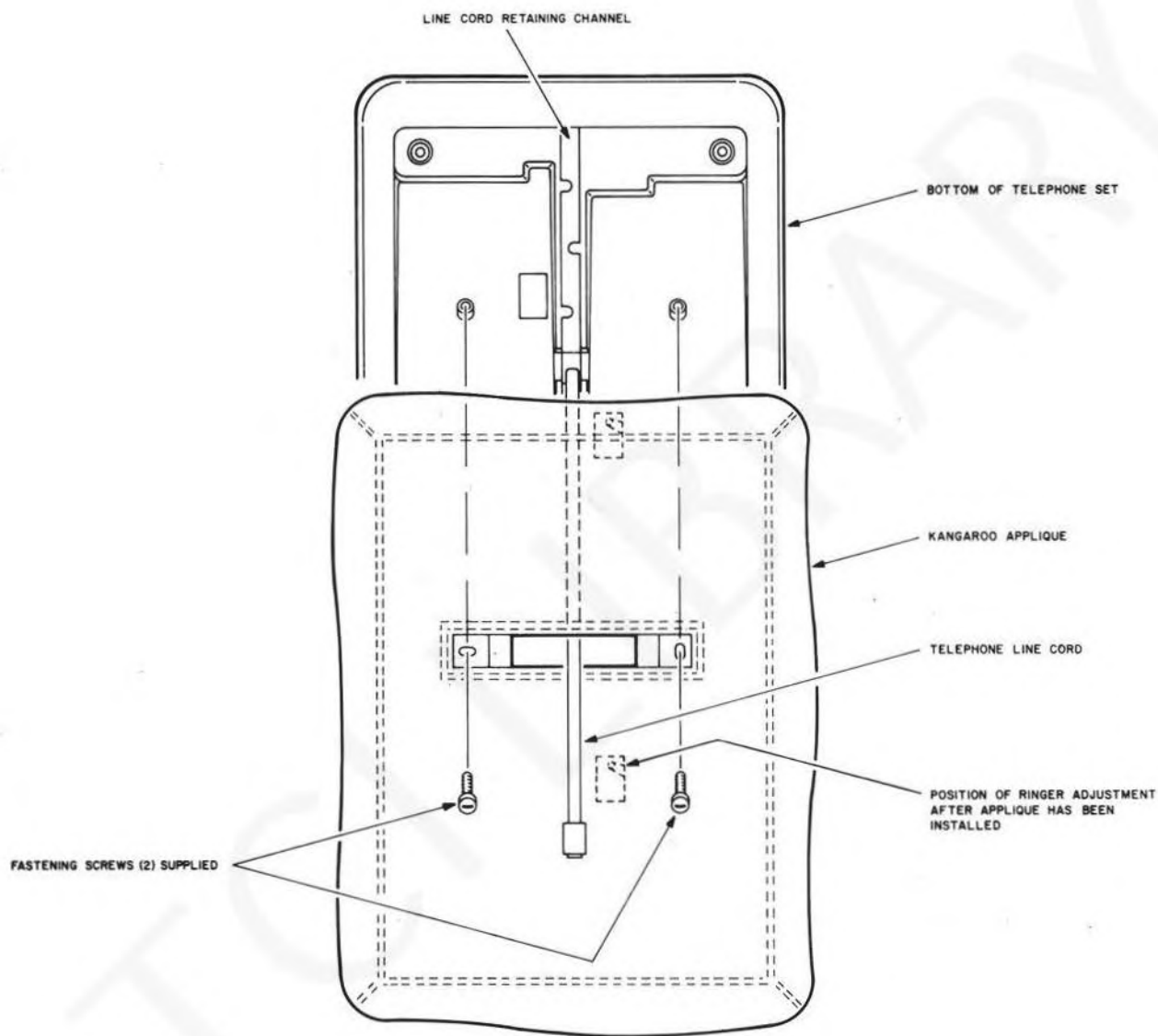


Fig. 14 — Method of Installing the KANGAROO Appliance

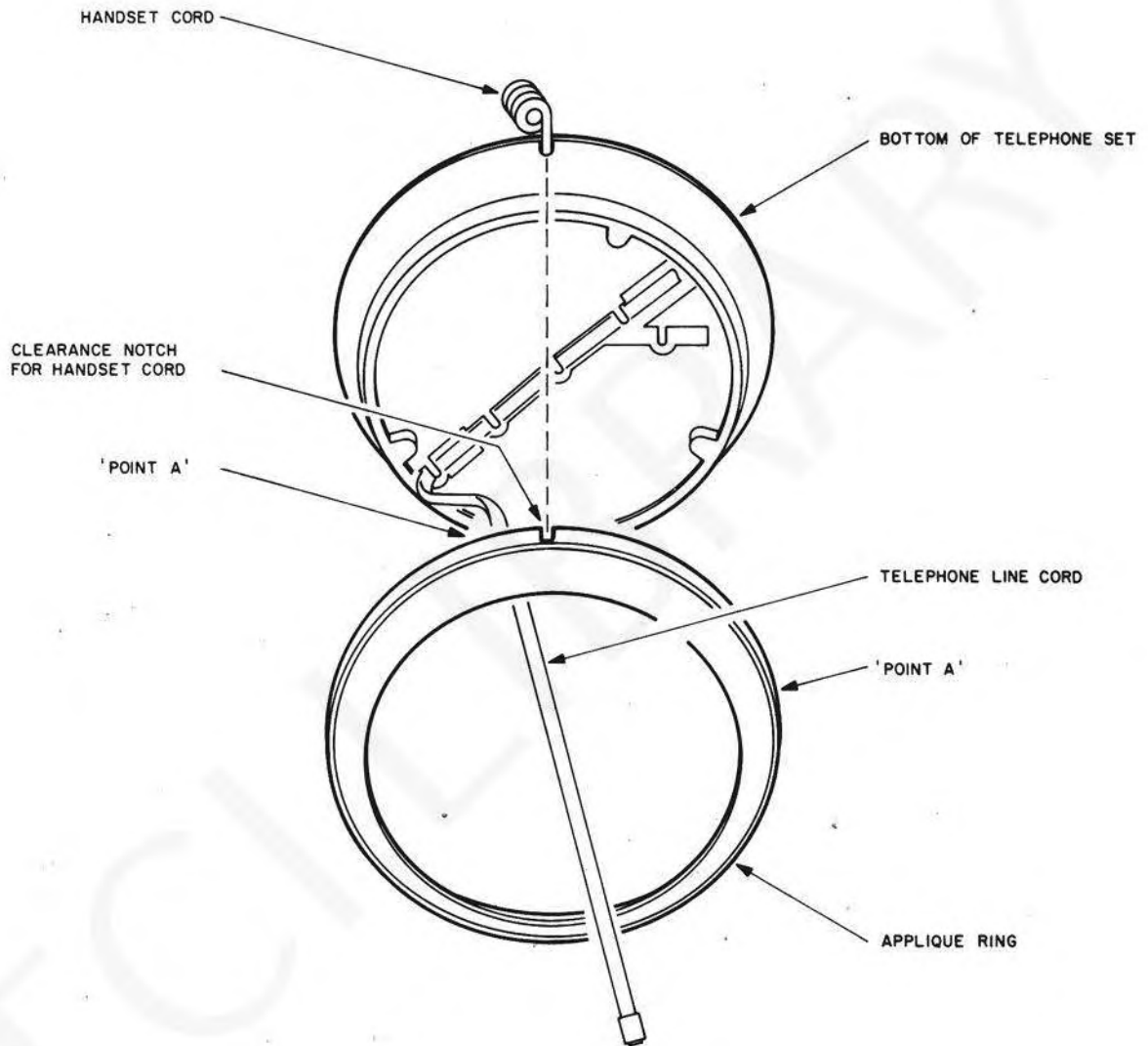


Fig. 15 — Method of Installing the DAWN Applique

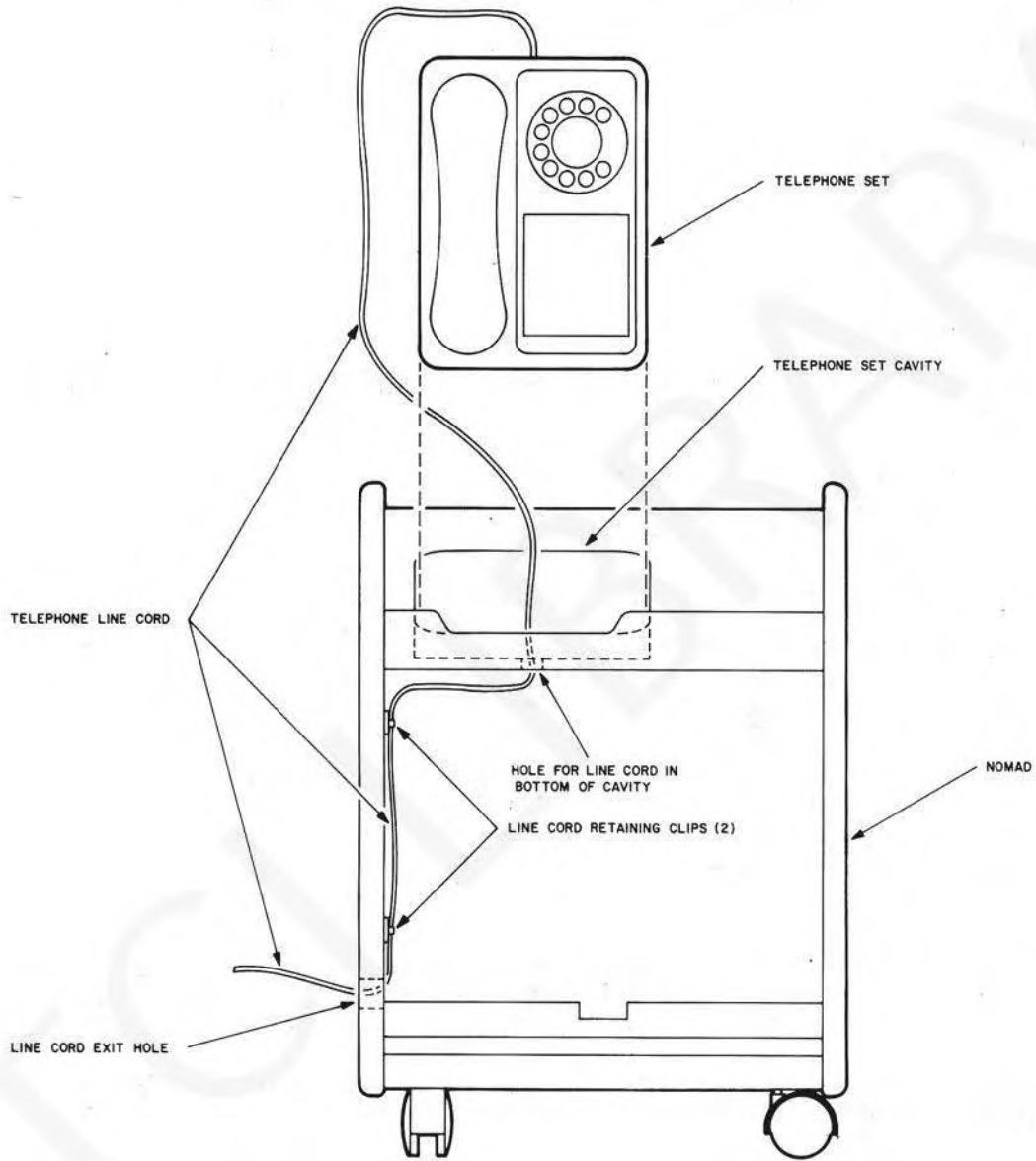


Fig. 16 — Method of Installing 430, 2430, 3430-Type Set in NOMAD □

**CHART 6  
INSTALLATION OF KANGAROO APPLIQUE**

<b>STEP</b>	<b>PROCEDURE</b>
1	Remove the mounting cord from the retaining channel in the bottom of the set (Fig. 14).
2	Feed the mounting cord through the rectangular opening in the applique, and insert the telephone set in the cavity of the applique.
3	Align and gently press the set into the applique.
4	Using the two screws supplied, fasten the applique to the telephone set base using a standard screwdriver.
	<i>Note:</i> Do not over-tighten the screws.
5	To adjust ringer volume, gently lift and pull the material of the KANGAROO applique downward toward the front of the set until the ringer adjustment is accessible by slipping your finger under the material. Adjust ringer volume as required.
6	To remove applique, reverse Steps 1 through 4.

**CHART 7  
INSTALLATION OF DAWN APPLIQUE**

<b>STEP</b>	<b>PROCEDURE</b>
1	Feed mounting cord from the telephone set through the center of the applique ring (Fig. 15).
2	Locate the notch in the ring at the point where the handset cord enters the telephone set base.
3	Press the applique ring onto the base of the set until it snaps into position, making sure that it does not interfere with the handset cord.
4	To remove the applique ring, grip the ring at 'Points A' (Fig. 15), then pull the ring out and down away from the telephone set.

**□ CHART 8  
INSTALLATION OF NOMAD**

STEP	PROCEDURE
1	Feed the telephone set mounting cord through the hole provided in the bottom of the cavity of NOMAD (Fig. 16).
2	Place telephone set in cavity.
3	Route mounting cord through the center of each retaining clip, and bend tabs of retaining clips around the cord.
4	Feed the mounting cord through the exit hole in the lower left-hand corner of NOMAD.

□ Not required by Bell Canada

**CHART 9  
FAULT LOCATION GUIDE**

INDICATION	PROBABLE CAUSE	CORRECTIVE MEASURE
Bell does not ring.	Ringer disconnected or wired incorrectly.	Connect according to Table B or C.
	Volume Control Lever in cut-off position.	Move control lever and advise customer of cut-off position.
	Open winding.	Replace ringer.
	Metal particles in armature gap.	Remove with adhesive tape or equivalent.
	Open ringing capacitor.	Replace network.
Bell taps while dialing or operating line switch.	Incorrect wiring.	Check mounting cord and ringer connections.
	Loose gong.	Tighten screw as required.
	Biasing tension too low.	Place bias spring in higher tension notch.
Can't trip ring.	Open handset cord.	Replace handset cord.
	Defective network or open wiring.	Replace network.
	Contacts on line switch do not close.	Clean or adjust line switch contacts.

Chart Continued

**CHART 9 Continued**  
**FAULT LOCATION GUIDE**

INDICATION	PROBABLE CAUSE	CORRECTIVE MEASURE
No dial tone.	Open mounting or handset cord.	Replace cord.
	Defective receiver unit or short circuit varistor.	Replace receiver unit.
	Dial shunt contacts closed.	Replace dial.
	Open network.	Replace network.
	Line switch contacts do not close.	Check switch cover for proper installation.  Clean or adjust line switch contacts.
Can't break dial tone.	Dial does not pulse.	Replace dial.
	Line reversed at telephone set.	Check for battery on ringer line.
Loud clicks heard in receiver while dialing.	Dial shunt contacts do not close.	Replace dial.
Can't hear.	Open or short circuit receiver unit or handset cord.	Replace receiver unit or handset cord.
	Open induction coil in network.	Replace network.
	Line switch contacts do not open.	Check line switch cover for interference.
Can't be heard.	Defective transmitter unit or open handset cord.	Replace transmitter unit or handset cord.