

TRIM TO THESE LINES 13" x 8"

DRG. 92682

/D.O.

E-IN-C 438
GEN. GEN. 00032

(S)
COIL
INDUCTION
№ 41A

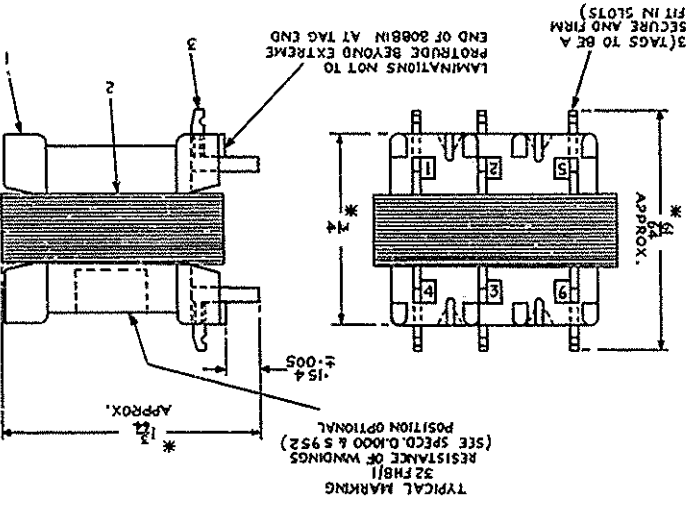
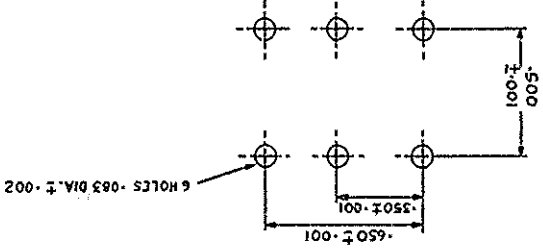
LIMIT OF DRAWING SPACE

* REFERENCE DIMENSIONS ONLY.
DIMENSIONS IN INCHES

ITEM	PART	DRG.	№ OFF.
1	1/BCO/816 (COIL ASSEMBLY UNWIND)	DCO/816	1
2	1/OST/654 (STAMPING, CORE)	OST/654	SEE SPEC.
3	1/DTA/230 (TAG)	DTA/230	6

SCHEDULE

HOLE PATTERN SHOWING ACCEPTANCE LIMITS



TYPICAL MARKING

POST OFFICE ENGINEERING DEPT 5 DISTRIBUTION BRANCH	
P.O. GENERAL	
REFERENCES	
SEE SCHEDULE	SPEC. 01000
	SPEC. 5 952
ASSEMBLY DRG.	WIRING DGM.
FILE 330/32	B.T.T.D.C
SCALE: 1/2 AND AS INDICATED	
ORIGINAL DIMENSIONS NOT TOLERANCED	
SUBJECT TO	
APP'D. IN S/1 SECTION	DRN } AEI
	TCO } <i>MS</i>
	CAD CONTRS. } <i>MS</i>
<i>SKetch</i>	DATE 18-4-67
AMENDMENT	SUFFIX
FOR SUPERSED	
COIL, INDUCTION	
№ 32	
(MARK I)	
ASSEMBLY	
DRG. 92682	