

A P P R O V E D

AC15C LONG LINE EXTENSION

A P P R O V E D



**KELTEK** ELECTRONICS

**A Total Systems Capability**

A P P R O V E D

AC15C LONG LINE EXTENSION

A P P R O V E D

The door is at long last open for Keltek Electronics to satisfy your AC15 requirements.

British Telecom Regulatory Affairs have advised that Wallcase 1P has been approved, and a DTI approval number is pending.

In the meantime, we have BT's agreement to market our Wallcase 1P under the flag of Equipment Signalling 27A, carrying the approval number NS/1000/3/E/450637.

We knew you would want to be one of the first to hear about this, so we have enclosed our Data Sheets for the Equipment Signalling 27A, and Signalling Units 53A and 54A. We've also included an Application Drawing which demonstrates how these products all fit together.

Keltek continue to extend the range of their Signalling Service. We offer a powerful combination - a problem-solving capability and a wide range of products - which together solve individual signalling problems, and provide customised solutions.



**SIGNALLING UNIT 53A  
PBX EXTENSION LINE INTERFACE TO AC15C CONVERTER**

**Description**

The British Telecom designed PBX End AC15C Converter consists of a single 62-type plug-in module, N=8.

The Unit is designed to British Telecom Specification S1572 and complies with BTR1181 Section 4. Signalling Unit 53A is powered from the normal -50V exchange battery and can be fused either externally or internally using the on-card fuse.

**Application**

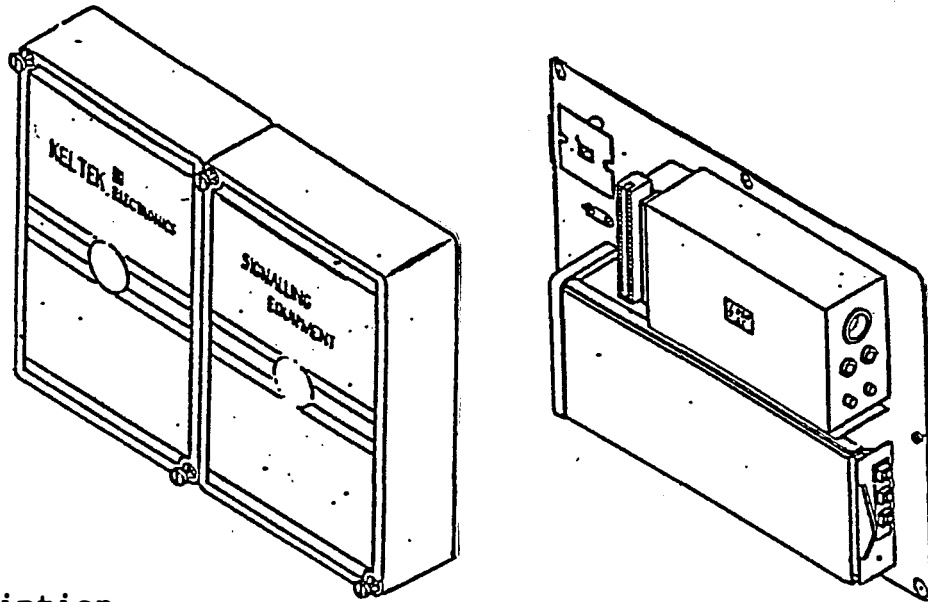
PBX extension line to AC15C Signalling.

**Features**

- \* British Telecom connection approval
- \* Operation from standard -50V supply
- \* Individual fuse per module
- \* Low power consumption
- \* Self-contained single module
- \* All adjustments factory pre-set
- \* Incoming pulse connection
- \* Earth recall operation
- \* Front Panel U-Link access to office and line connections
- \* 10PPS or MF Signalling



## EQUIPMENT SIGNALLING 27A



## Description

EQMT SIG 27A for wall mounting on a detachable hinge bar is designed to package 1 62-type plug-in module of panel width up to 60mm (N=12) and to provide -50V from standard 50HZ mains.

## Application

Economical packaging providing a -50V power supply from AC mains for 1 62-type modules.

## Features

- \* Detachable hinge bar for easy wall mounting.
- \* All metal construction for adequate screening.
- \* Plastic outer covers of modern appearance.
- \* Fast user wiring to connector 237A & tel jack.
- \* Mains to -50V 250mA PSU built in.
- \* Supplied with 1 metre length mains cable with 13 amp plug fitted.
- \* Size: Width 420mm, Height 320mm, Depth 85mm.
- \* Weight: 6.1kg
- \* Approval No NS/1000/3/E/450637.





**SIGNALLING UNIT 54A  
AC15C TO EXTERNAL TELEPHONE CONVERTER**

**Description**

The British Telecom designed extension telephone end AC15C Converter consists of a single 62-type plug-in module, N=8. The Unit is designed to British Telecom Specification S1573 and complies with BTR1181 Section 4. Signalling Unit 54A is powered from normal -50V exchange battery and can be fused either externally or internally using the on-card fuse.

An on board Ringing Current Supply to ring 2 series connected Bell 59A is provided.

**Application**

Distant End AC15C to extension telephone signalling.

**Features**

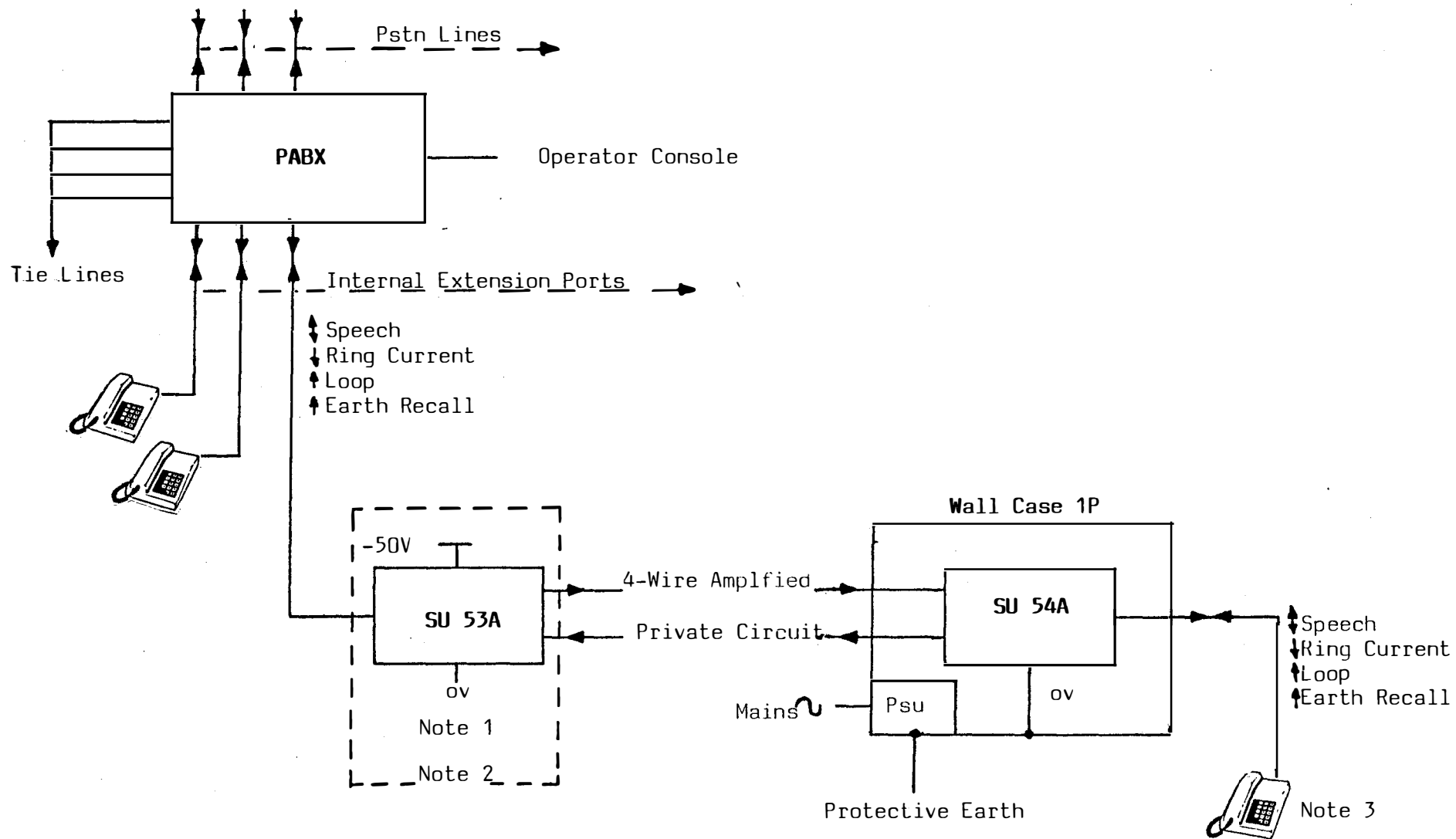
- \* British Telecom Approval
- \* Operation from standard -50V supply
- \* Individual fuse per module
- \* Low power consumption
- \* Self contained single module with built in ringer
- \* All adjustments factory pre-set
- \* Earth recall operation
- \* Front Panel U-Link access to office and line connections
- \* 10PPS or MF Signalling

## Specifications

- \* Input AC15C  
Transformer coupled up to 7mA of wetting current can be applied
- \* Output to extension telephone
- \* Signalling frequency 2280 +/- 5HZ, High level -10dBmO,  
Low level -20dBmO
- \* Transmission  
2-wire to TX Nominal 4dB loss, 2.5dB with 600 ohm termination  
RX to 2-wire Nominal 4dB loss, 4.5dB with 600 ohm termination
- \* Power requirements                   -50V DC Nominal +/- 5V  
  150mA typical
- \* Size:        130mm x 40mm x 340mm
- \* Weight:     650 grammes
- \* Mounting 1 position (N=8) of 62-type shelf or wallcase



Property of Keltek Electronics Ltd KELSO



AC15C LONG LINE EXTENSION

Date 4:10:85

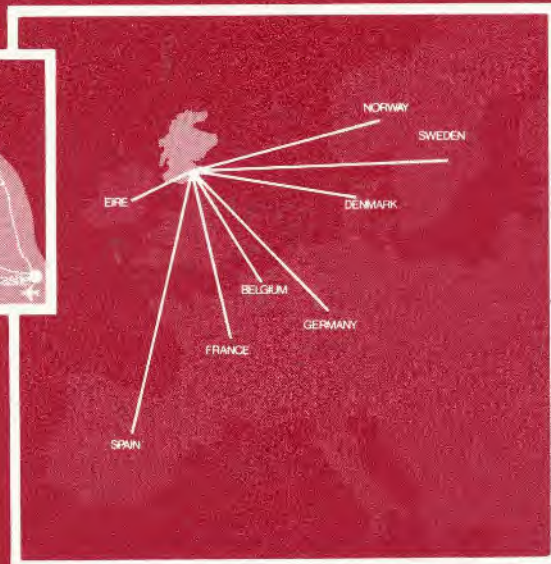
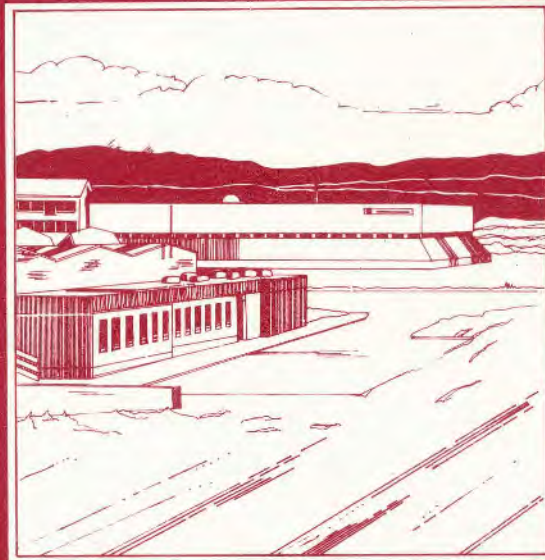
Notes

1. An electrical connection between PABX 0V and SU 53A 0V is required.
2. Packaging of SU 53A is determined by local requirements.
3. For Earth Recall operation an earth connection must be provided from Wall Case 1P to remote telephone.

Keltek Electronics is one of Europe's leading contract manufacturers of sophisticated electronic systems. Formerly known as Pye Borders Electronics, Keltek, with over 200 employees, continues to offer a complete service to the electronic industry from its factory at Kelso, in the Scottish Borders.

Keltek is one of the 20 autonomous companies within the Cambridge Electronic Industries Group which made its debut on the Stock Market in 1981. These 20 companies are involved in 3 specialist areas:  
Electrical and electronic components  
Defence and electronic systems  
Specialist engineering

Continuous investment by C.E.I. in the advancement of new technology will enable Keltek to maintain the highest standards, which have already established it as a leading supplier to the major companies within the Military, Aerospace, Communications, and Business Equipment Sectors.



**KELTEK** ELECTRONICS

Pinnacle Hill Industrial Estate, Kelso, Roxburghshire,  
Scotland TD5 8DW  
Telephone: 05732 3601 Telex: 727513