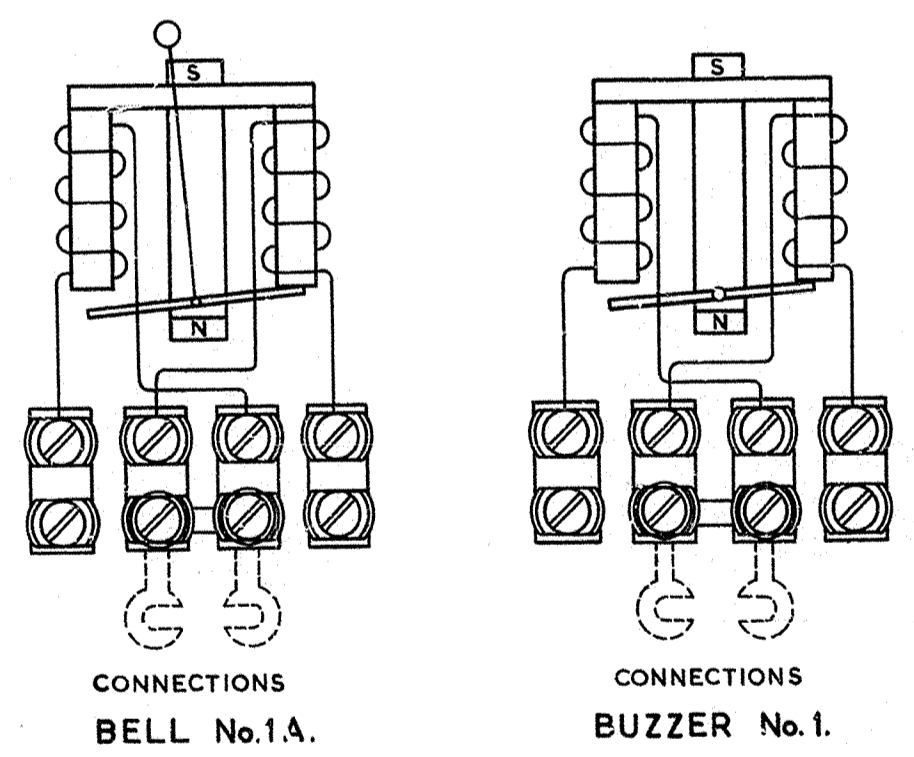
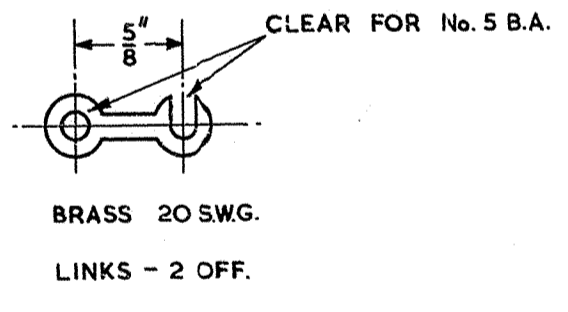
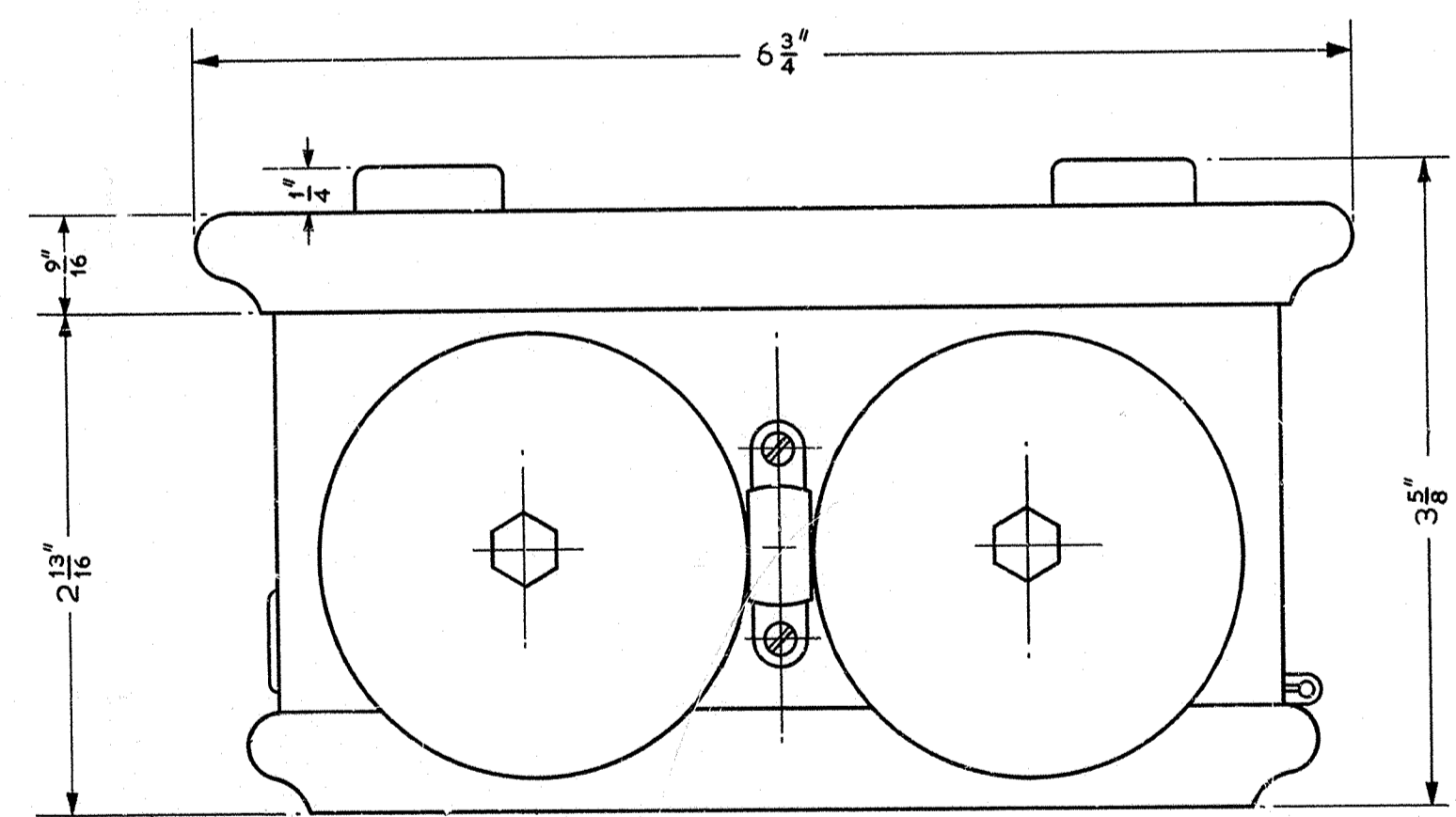


NOTE.
BUZZER No.1.
PARTS MARKED ⊕ AND
THE HOLES FOR THESE
PARTS IN THE TOP OF
THE CASE ARE NOT
REQUIRED.

BELL No.1A.
(UNMOUNTED)
DRG. 62933
SPECIFICATION 191.

PLATES CONN. No.1.
DRG. No. 62640.



CONNECTIONS
BELL No.1.A.

CONNECTIONS
BUZZER No.1.

1/00

E-IN-C 300
GEN. GEN 00032

POST OFFICE ENGINEERING DEPT.
5 BRANCH

DISTRIBUTION

GENERAL

REFERENCES

DRG. 62640 SPEC. 191

" 62933

ASSEMBLY DRG.

WIRING DGM

SPEC.

FILE

SCALE: 1" = 1"

AND AS INDICATED

PROJECTION

DECIMAL DIMENSIONS NOT TOLERANCED

SUBJECT TO

APPLD IN SI SECTION

DRN. S.H.

TCD. S.H.

CKD. C.T.P.

DATE OCT. 1913

AMENDMENT

SUFFIX

PLATE CONN. No.1 - WASHERS

WERE NOT SHOWN.

C.A.C. H.J.S. 12.4.55.

RETRACTED. NO AMENDMENT.

S.R.S. 19.3.55.

SUPPRESSED BY THE WORKS

1.7.62.

J

BELL No.1A. - FOR SUPERSEDING ITEM FOR
NEW WORK SEE DRG. 62933
BELL No. 2A. - FOR SUPERSEDING ITEM
BUZZER No.1. - FOR SUPERSEDING ITEM
FOR NEW WORK SEE DRG. 91232
(BUZZER No. 31A)

BELL No.1A
(MARK 234)
& BUZZER No.1
(MARK 234)

DRG. 1796

MASTER

1310 9.3.70 F.T.2.50