

KIOSK, No. 3... MARK 2.

DETAILS OF CONCRETE.

OFFICE OF THE ENGINEER-IN-CHIEF G.P.O.

DRAWING 60471

Specification :- 452.

SCALE $\frac{1}{8}$ except where otherwise stated

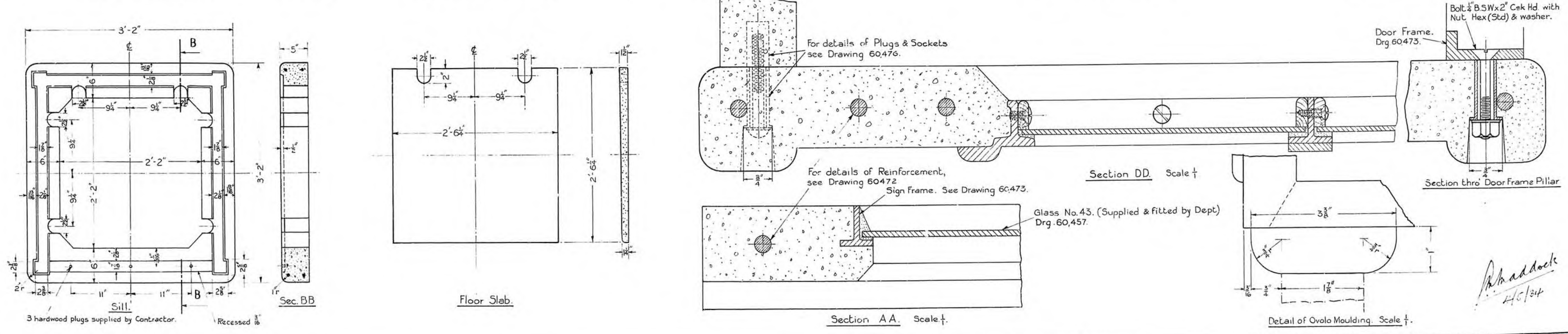
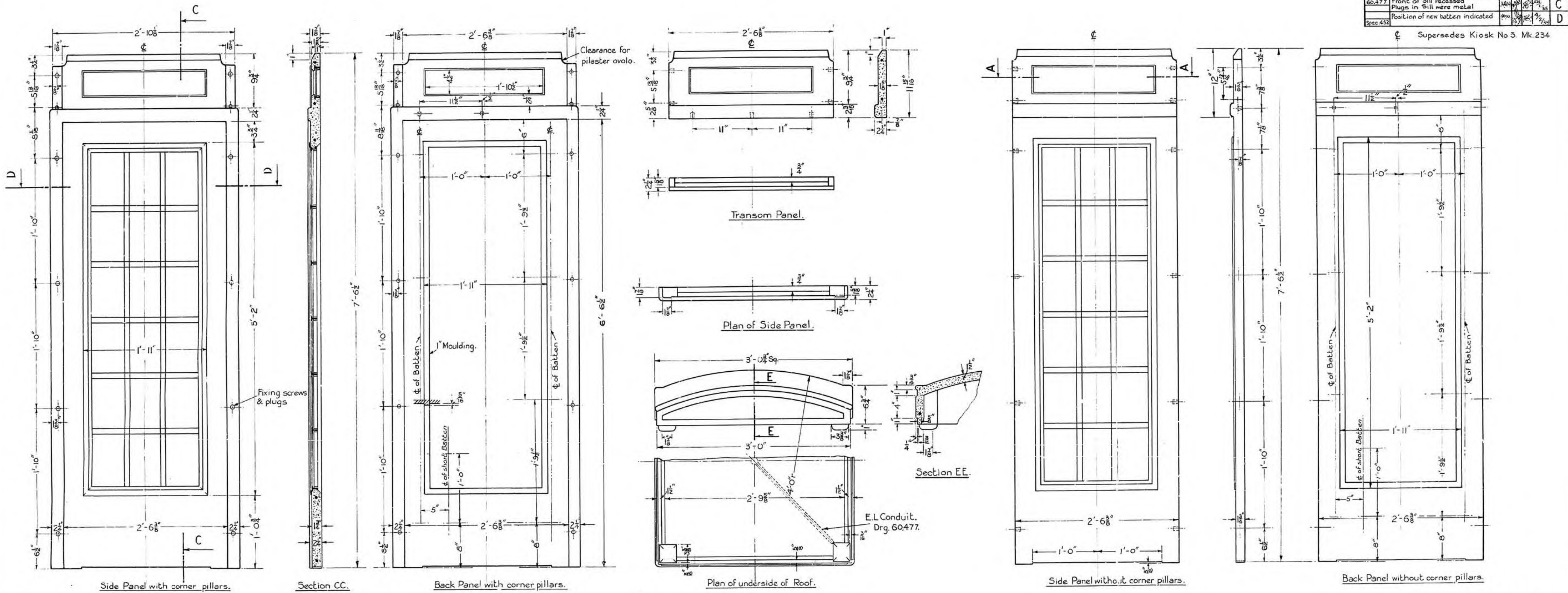
Drawn by	Reference	Date
Checked by	Kiosk	4.5.34.

Approved by *G. M. S.* in Designs, Section

PHOTO PRINT NOT TO BE SCALED

Particulars of Amendment	Drawn	Checked	Date	Spec	SUFFIX
60457 Base of Panels recessed					A
60472 Ventilating chamber on roof was stopped					B
60473 Position of plugs in transoms & back amended. Conduit holes in sill set back					C
60476 Front of Sill recessed					D
60477 Plugs in Sill were metal					
Spec 452 Position of new batten indicated					

Supersedes Kiosk No 3, Mk. 234



R. Haddock
4/5/34