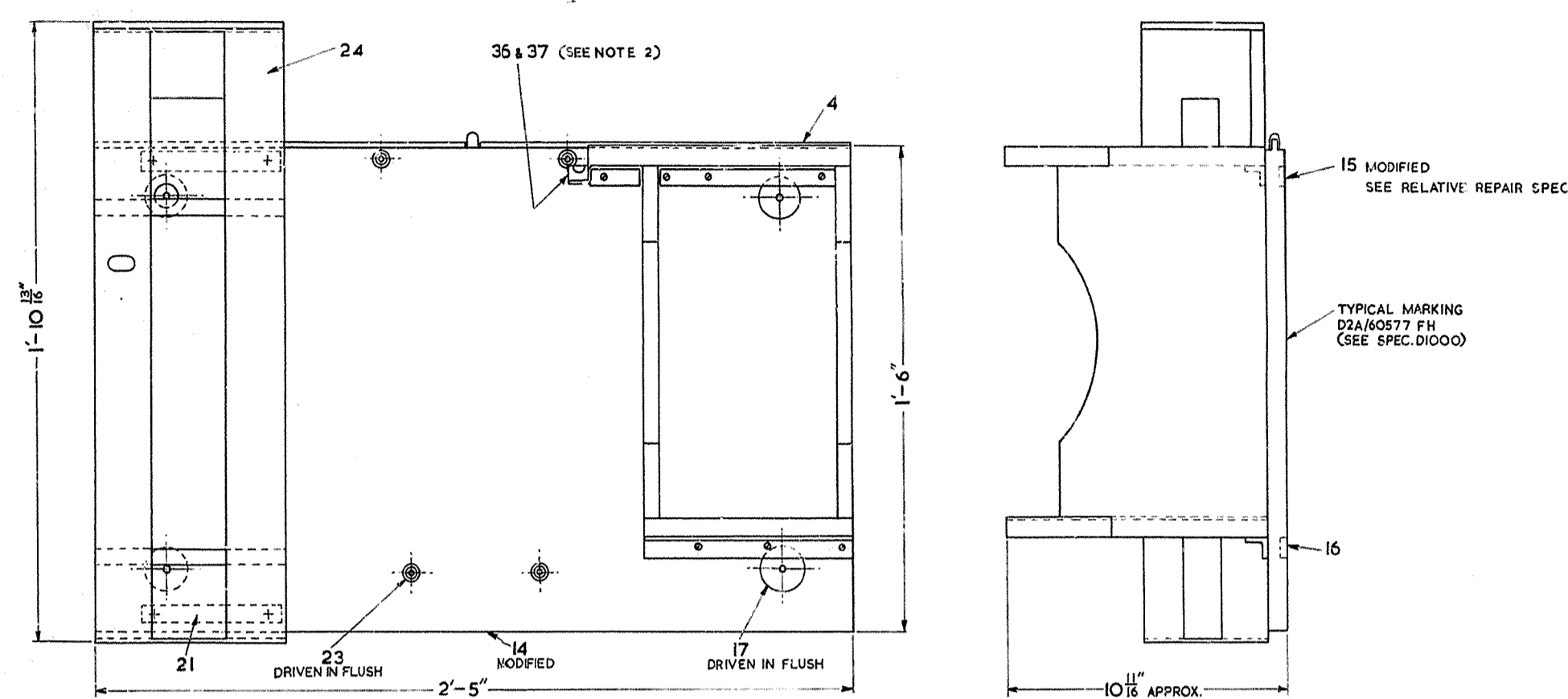
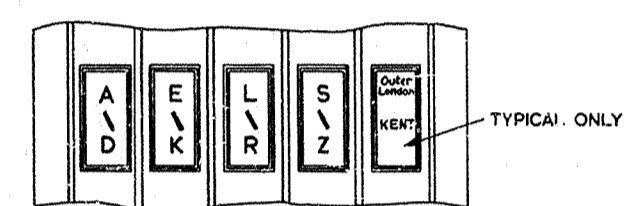


WALLBOARD D3/60577  
SEE NOTE 1

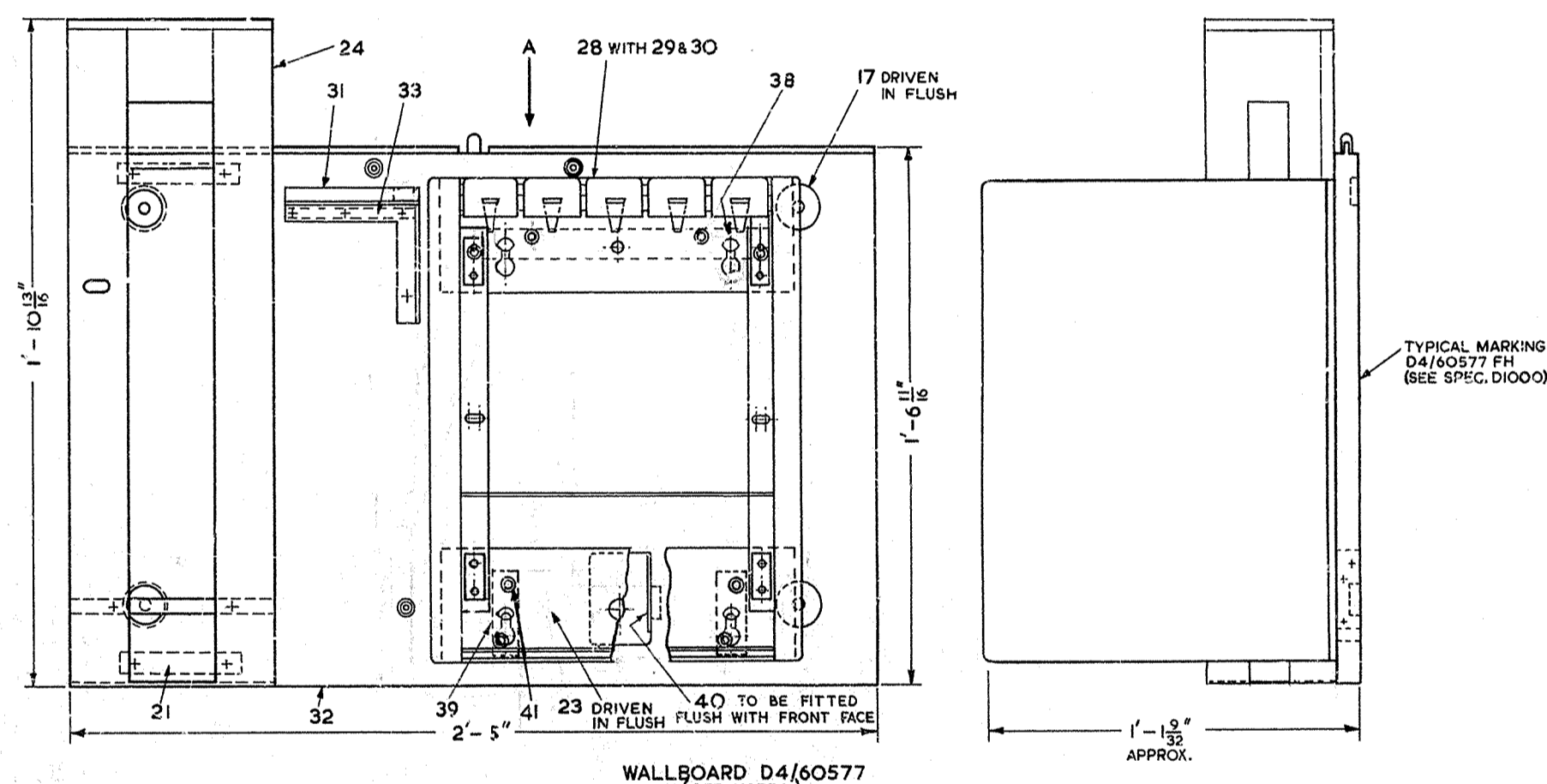
NOTES- 1. SCREWS 16 B.S.W. X 3/8" SOCKET HEAD  
N.E. BURO (B.S. 210) TO BE SUPPLIED  
D3/60577 8 OFF  
D2/60577 & D4/60577 4 OFF  
2. ITEM 37 FIXED 2 3/4" FROM  
BACK OF CONTAINER.



WALLBOARD D2A/60577  
(SEE NOTE 1)



PART VIEW IN DIRECTION OF ARROW A



WALLBOARD D4/60577  
(SEE NOTE 1)

ITEM	DESCRIPTION	QTY	SCHEDULE					SCREWS ETC.	MTL.	FINISH	No. OFF
			D1/60577	D2/60577	D3/60577	D4/60577	D2A/60577				
1	BRACKET MOUNTING DO 5/8"	90071	2					WD. SC. No. 4 X 3/8" CSK. HD.	BR.	CLEAN	6
2	BRACKET MOUNTING DO 8/16"	90071	2					WD. SC. No. 4 X 3/8" CSK. HD.	BR.	CLEAN	6
3	CONTAINER No. 1	90077		1				SC. 2 B.A. X 7/8" RD. HD.	M.S.	BLK. LAC.	6
4	CONTAINER No. 2	90077		1				SC. 2 B.A. X 7/8" RD. HD.	M.S.	BLK. LAC.	7
5	FRAME NOTICE No. 29	60594	2								
6	FRAME NOTICE No. 30	60594	1								
7	FRAME NOTICE No. 31	60594	1								
8	FRAME MIRROR No. 1	60593	1								
9	MIRROR No. 1	60592	1								
10	GLASS No. 49	63703	2								
11	GLASS No. 50	63703	1								
12	GLASS No. 51	63703	1								
13	DETAIL 1	60577 SHEET 2	1								
14	DETAIL 2	60577 SHEET 2	1								
15	DETAIL 3	60577 SHEET 3	1								
16	DETAIL 4	60577 SHEET 3	1					WD. SC. No. 10 X 3/8" CSK. HD.	M.S.	BLK. LAC.	2
17	DETAIL 5	60577 SHEET 3	4	4	4	4	4	WD. SC. No. 10 X 3/8" CSK. HD.	M.S.	BLK. LAC.	2
18	DETAIL 6	60577 SHEET 4	1					WD. SC. No. 10 X 3/8" CSK. HD.	M.S.	BLK. LAC.	2
19	DETAIL 7	60577 SHEET 4	1					WD. SC. No. 10 X 3/8" CSK. HD.	M.S.	BLK. LAC.	2
20	DETAIL 8	60577 SHEET 4	1					WD. SC. No. 10 X 3/8" CSK. HD.	M.S.	BLK. LAC.	2
21	DETAIL 9	60577 SHEET 4	2	2	2	2	2	WD. SC. No. 10 X 3/8" CSK. HD.	M.S.	BLK. LAC.	2
22	DETAIL 10	60577 SHEET 4	2					WD. SC. No. 10 X 3/8" CSK. HD.	M.S.	BLK. LAC.	2
23	DETAIL 11	60577 SHEET 4	3	4	4	4	4	WD. SC. No. 10 X 3/8" CSK. HD.	M.S.	BLK. LAC.	4
24	BRACKET MOUNTING D10192	91092	1	1	1	1	1	SC. 2 B.S.W. X 3/4" HD. HD.	M.S.	BLK. LAC.	4
25	CONTAINER No. 3	91091	1					SC. 1/2 B.S.W. X 3/8" RD. HD.	M.S.	ZN. P.	6 EACH
26	BRACKET MOUNTING DH 8/16"	60595	2					WD. SC. No. 4 X 3/8" CSK. HD.	BR.	CLEAN	6
27	BRACKET MOUNTING DH 1/2"	60595	2					WD. SC. No. 4 X 3/8" CSK. HD.	BR.	CLEAN	6
28	HOLDER DIRECTORY No. 5	91297	1					SC. 1/2 B.S.W. X 7/8" HD. HD.	M.S.	ZN. P.	1
29	LABEL No. 400 A-D	91478	1								
30	LABEL No. 400	91478	1								
31	SHELF No. 9	91326	1					SC. 4 B.S.W. X 3/4" CH. HD.	M.S.	BLK. LAC.	3
32	DETAIL 12	60577 SHEET 5	1					WD. SC. No. 6 X 3/8" CSK. HD.	M.S.	BLK. LAC.	2
33	DETAIL 13	60577 SHEET 5	1					WD. SC. No. 6 X 3/8" CSK. HD.	M.S.	BLK. LAC.	2
34	DETAIL 14	60577 SHEET 5	2					WD. SC. No. 6 X 3/8" CSK. HD.	M.S.	BLK. LAC.	2
35	DETAIL 15	60577 SHEET 5	1					WD. SC. No. 6 X 3/8" CSK. HD.	M.S.	BLK. LAC.	1
36	CIGARETTE REST No. 2	91425	1					SC. 8 B.A. X 1/2" RD. HD.	M.S.	BLK. LAC.	4
37	DETAIL 16	60577 SHEET 5	1					WD. SC. No. 6 X 3/8" CSK. HD.	M.S.	BLK. LAC.	3
38	DETAIL 17	60577 SHEET 6	1					SC. 2 B.A. X 3/4" CSK. HD.	M.S.	BLK. LAC.	4
39	DETAIL 18	60577 SHEET 6	2					SC. 2 B.A. X 3/4" CSK. HD.	M.S.	BLK. LAC.	4
40	DETAIL 19	60577 SHEET 6	1					WD. SC. No. 6 X 3/8" CSK. HD.	BR.	CLEAN	2
41	DETAIL 20	60577 SHEET 6	0								

\* ITEMS TO BE REQUISITIONED SEPARATELY & FITTED LOCALLY

5  
RESTRICTED  
SEE SCH'D. D1475  
D2470  
5811  
1-1475  
THIRD  
51  
ORIGINAL SIGNED  
BY J.M. MADDOCK  
A.J.S.  
A.J.S.  
T.D.  
16.7.35  
SEE SUPERSEDED ISSUE FOR  
PREVIOUS AMENDMENTS  
REDRAWN WALLBOARD D4/60577  
ADDED SHEET 5 ADDED  
M27 11-11-46  
WALLBOARD D4/60577 DIM. 1'-6 1/8"  
WAS SHOWN INCORRECTLY.  
M27 11-11-46  
SCHEDULE ITEM 25, 1/2" B.S.W.  
WASHERS ADDED. WALLBOARD  
D4/60577 PART VIEW IN  
DIRECTION OF ARROW A. LABELS  
WERE LETTERED A 140 ETC.  
M27 11-11-46  
WALLBOARD D2A/60577 ADDED  
SCHEDULE ITEMS 36 & 37 ADDED.  
NOTE 1 AMENDED ITEMS 31 & 32 WERE  
REDESIGNED.  
D4/60577 FIXING OF DIRECTORY  
HOLDER No. 5 REDESIGNED.  
SCHEDULE ITEM 23, No. OFF  
FOR D4 WALLBOARD WAS 3.  
ITEM 31, SCREWS WERE 3/16"  
M27 11-11-46  
ITEM 31, NO. SC. WERE CSK. HD.  
M27 11-11-46  
SCHEDULE ITEMS 39 & 40  
WERE WD. SC. No. 10 X 3/8" CSK. HD.  
ITEM 41 ADDED.  
11-11-46

WALLBOARDS  
D1/60577  
D2/60577  
D3/60577  
D4/60577  
D2A/60577  
ASSET 10115  
60577 SHEET I-6