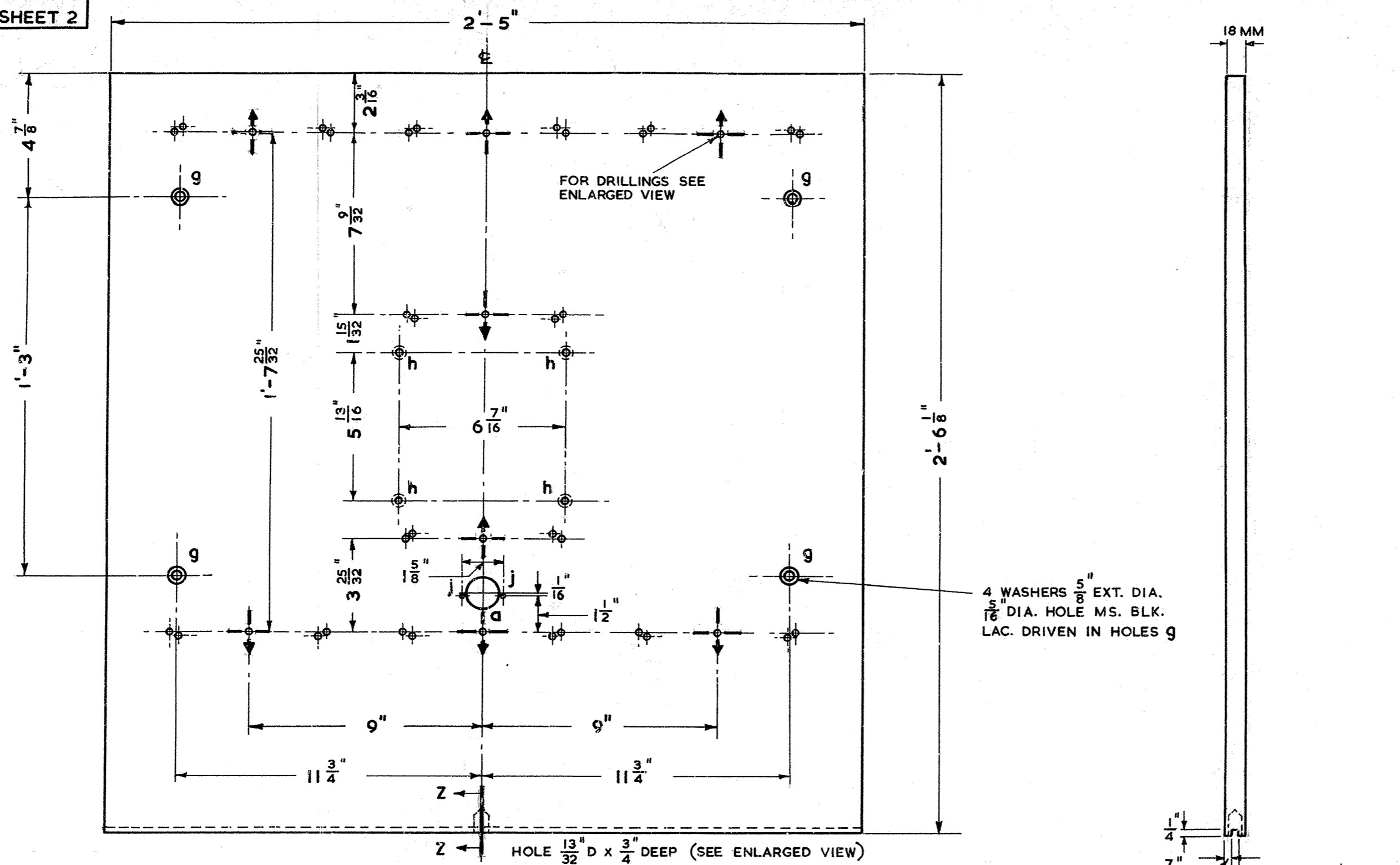


TRIM TO THESE LINES 26"x19"

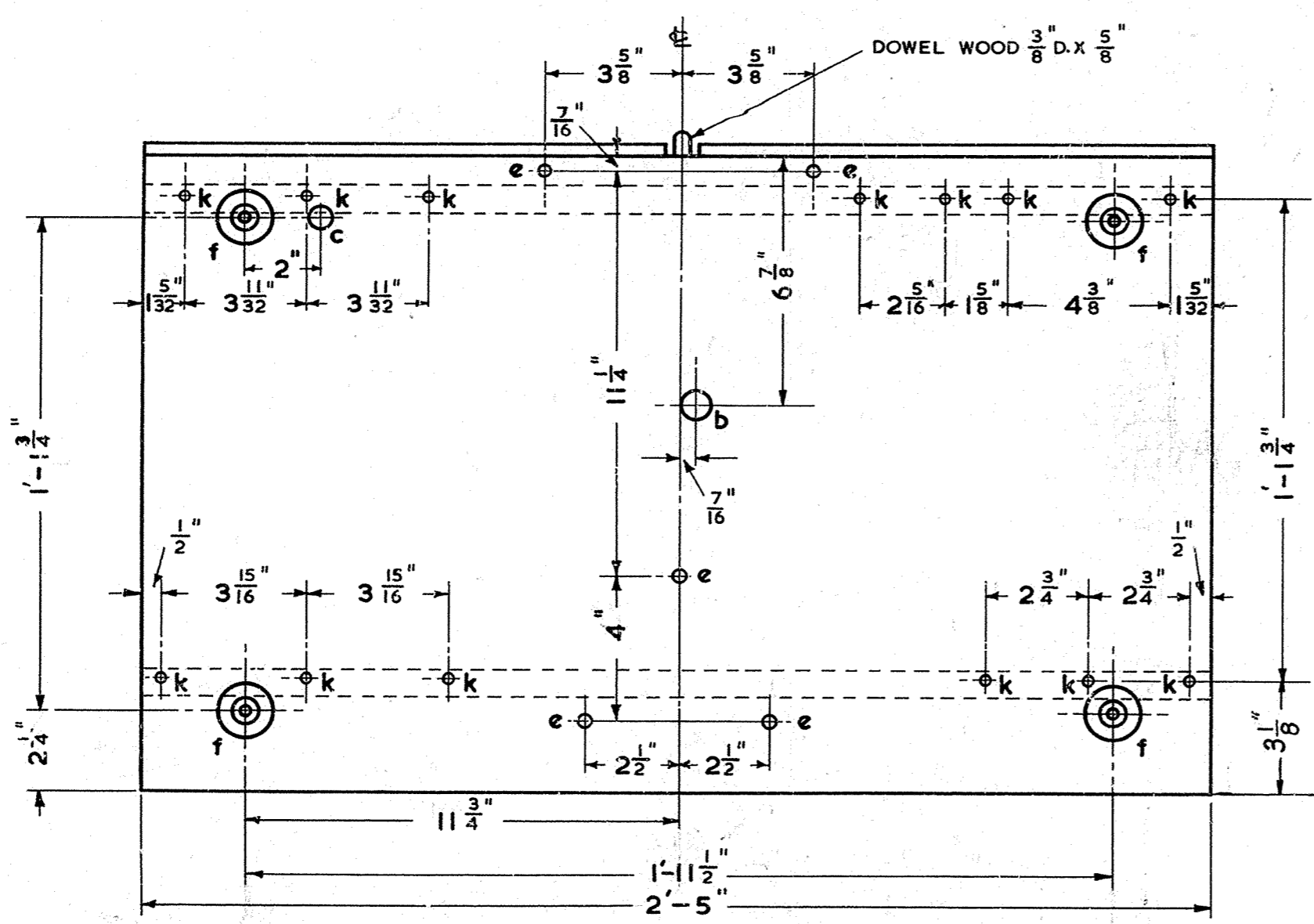
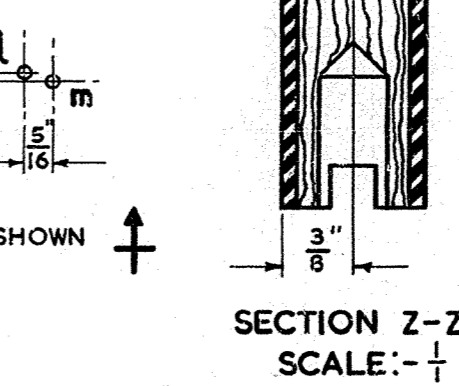
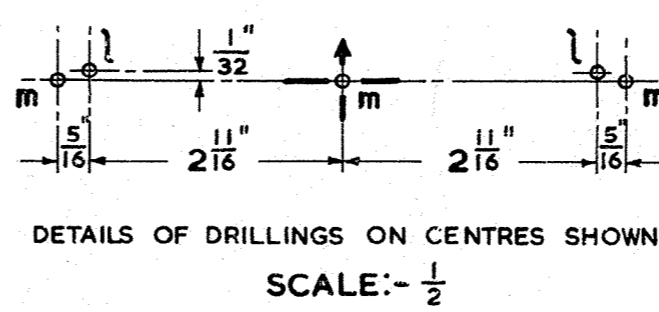
S/D.O.

E-IN-C 300
GEN., GEN. D0032

DRG. 60577 SHEET 2

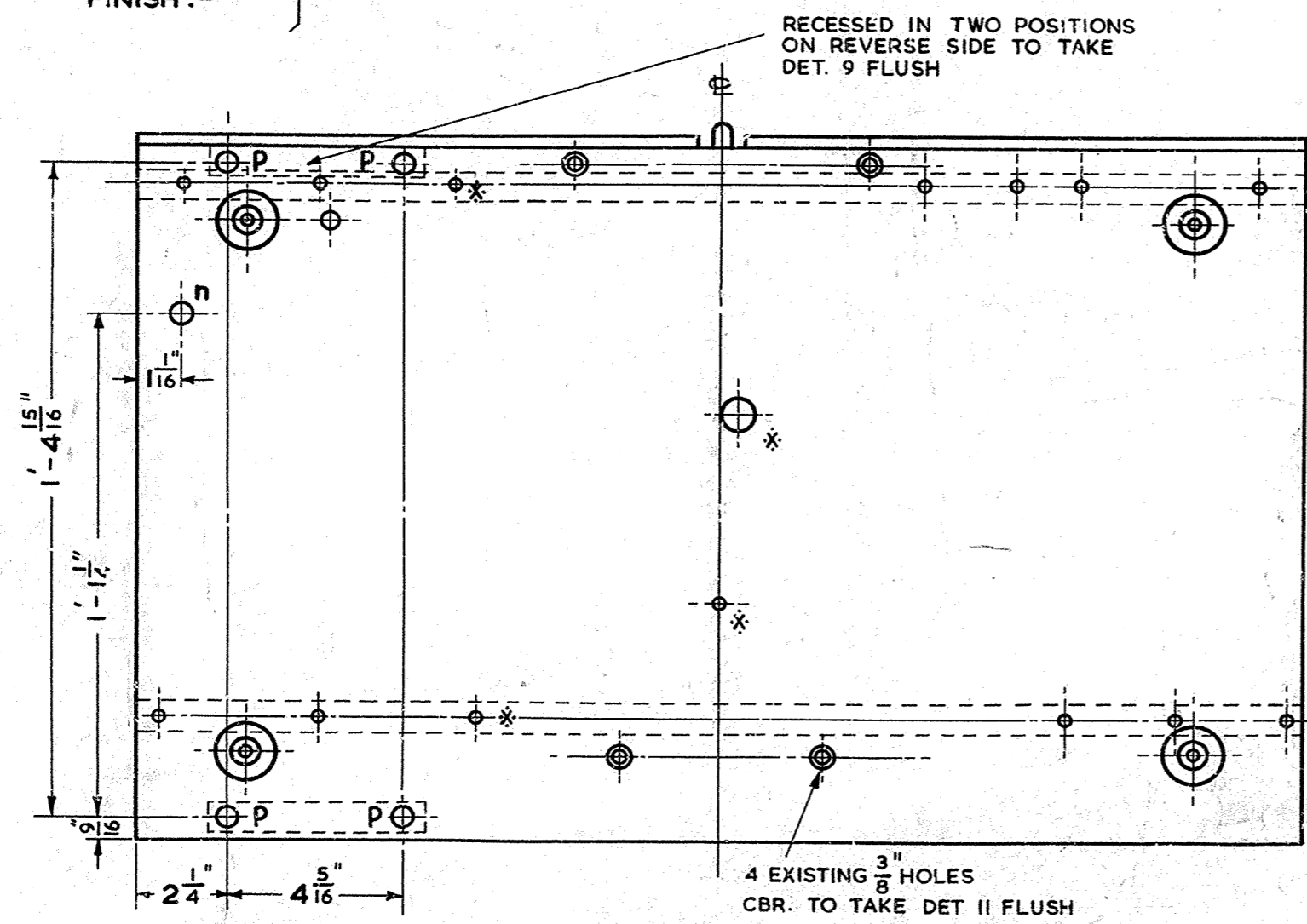


1. MATERIAL: - } SEE SPECIFICATION
FINISH: - }



2. MATERIAL: - } SEE SPECIFICATION
FINISH: - }

- NOTES: -
1. DETAIL 5 TO FIT SECURELY AND FLUSH IN HOLES f
 2. 18 HOLES K DRILLED TO CORRESPOND WITH HOLES OF ASSOCIATED DETAILS 3 & 4



MODIFICATIONS TO DETAIL 2
(FOR WALLBOARD D2A)

REF LETTER	DRILLING
a	1 5/16" DIA.
b	7/8" DIA., EDGES WELL ROUNDED.
c	1/2" DIA., EDGES WELL ROUNDED.
e	3/8" DIA.
f	5/16" DIA. & CBR. TO TAKE DET. 5. (SEE NOTE 1)
g	5/16" DIA. & CBR. 5/8" DIA. X 3/8" DEEP
h	5/16" DIA. & CBR. 2/16" DIA. X 1/4" AT REAR
j	1/8" DIA. X 1/8" DEEP
k	.218" DIA. (SEE NOTE 2)
l	.128" DIA. X 1/4" DEEP (DRILL 30)
m	.110" DIA. X 3/32" DEEP (DRILL 35)
n	5/8" DIA.
p	7/16" DIA.

POST OFFICE ENGINEERING DEPT. S BRANCH	
DISTRIBUTION RESTRICTED	
P.O.	
REFERENCES	
	SPEC. D1000
	SPEC. D1475
ASSEMBLY DRG.	WIRING DGM.
60577 SHEET 1-6	
FILE S 811	SPEC. D1475
SCALE: 1/4 AND AS INDICATED	THIRD ANGLE PROJECTION
DECIMAL DIMENSIONS NOT TOLERANCED SUBJECT TO ±.04	
APP'D IN S1 SECTION	DRN. A. J. S.
ORIGINAL SIGNED	TCD. A. J. S.
BY	CKD. T. D.
J. M. MADDOCK	DATE 16. 7. 35.
AMENDMENT	SUFFIX
SEE SUPERSEDED ISSUE FOR PREVIOUS AMENDMENTS	
REDRAWN.	
MODIFICATIONS TO DETAIL 2 (FOR WALLBOARD D2A) ADDED.	
P. E. C. 10/20/35	
DIM. 1'-1 1/4" WAS 1'-1 11/32" (W/B'D D2A)	
TITLE UPDATED.	
Vol. 11. 10/20/35	8. 5. 62
	D
	E

FOR SUPERSED

WALLBOARDS
D1/60577
D2/60577
D3/60577
D4/60577
D2A/60577

DETAILS 1 & 2

DRG. 60577 SHEET 2

1316 02205 27.10/29