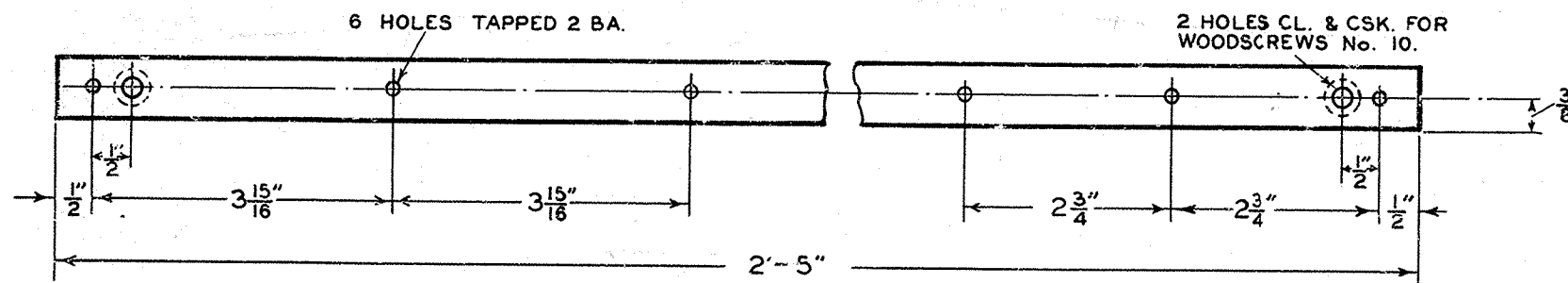
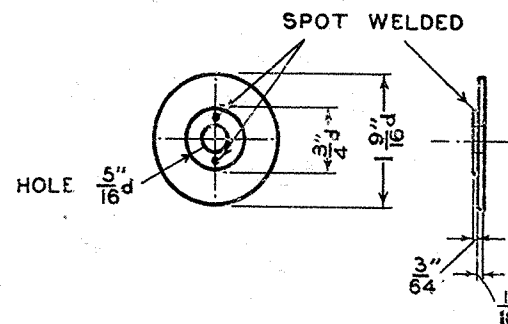


3. MATERIAL :- MS.  $\frac{3}{4}$ " x  $\frac{1}{4}$ "  
FINISH :- PHOSPHATE ETCHED. ENAMELLED BLACK, 2 COATS.



4. MATERIAL :- MS.  $\frac{3}{4}$ " x  $\frac{1}{4}$ "  
FINISH :- PHOSPHATE ETCHED. ENAMELLED BLACK, 2 COATS.



5. MATERIAL :- M.S.  
FINISH :- PHOSPHATE ETCHED. ENAMELLED BLACK, 2 COATS.

DISTRIBUTION RESTRICTED	
REFERENCES	
	SPEC D 1000
	" D 1475
ASSEMBLY DRG. 60577 SHEET 1-6	WIRING DGM. -
FILE S 511	SPEC. D. 1475
SCALE :- $\frac{1}{2}$ AND AS INDICATED	- ANGLE PROJECTION
FRACTIONAL DIMS. NOT TOLERANCED SUBJECT TO $\pm \frac{1}{64}$ "	
APP'D. IN SECTION	DRN. A.J.S
ORIGINAL SIGNED BY J.M. MADDOCK.	TCD. A.E.W. CKD. T.D.
	DATE 16-7-35.
AMENDMENT	SUFFIX
FORMERLY DRG. 60578 S.L. F.V.P. HES. RTAD.	14. 4. 49
TITLE WAS WALLBOARD D. 60577 DETAILS 1-8 S.L. P.W.E. HES. RTAD. 14-10-49	A
REDRAWN. WAS SHEET 2. DETAILS 1-4 TRANSFERRED TO DRG. 90077 AS DETAILS OF CONTAINERS Nos. 3 & 4. DETAILS 5, 6 & 8 NOW SHOWN AS DETAILS 3-5. DETAIL 7 TRANSFERRED TO DRG. 90072.	B
WALLBOARD D60577 DELETED. WALLBOARD D3/60577 ADDED. PHOSPHATE ETCHED WAS PARKERIZED. SHEET 4 ADDED. S.L. P.W.E. HES. RTAD. 12. 12. 58	C
TITLE UPDATED. VSL. 8-5-62.	D

FOR SUPERSED

WALLBOARDS  
D1/60577  
D2/60577  
D3/60577  
D4/60577  
D2A/60577

DETAILS 3-5

DRG. 60577 SHEET 3

S/DO