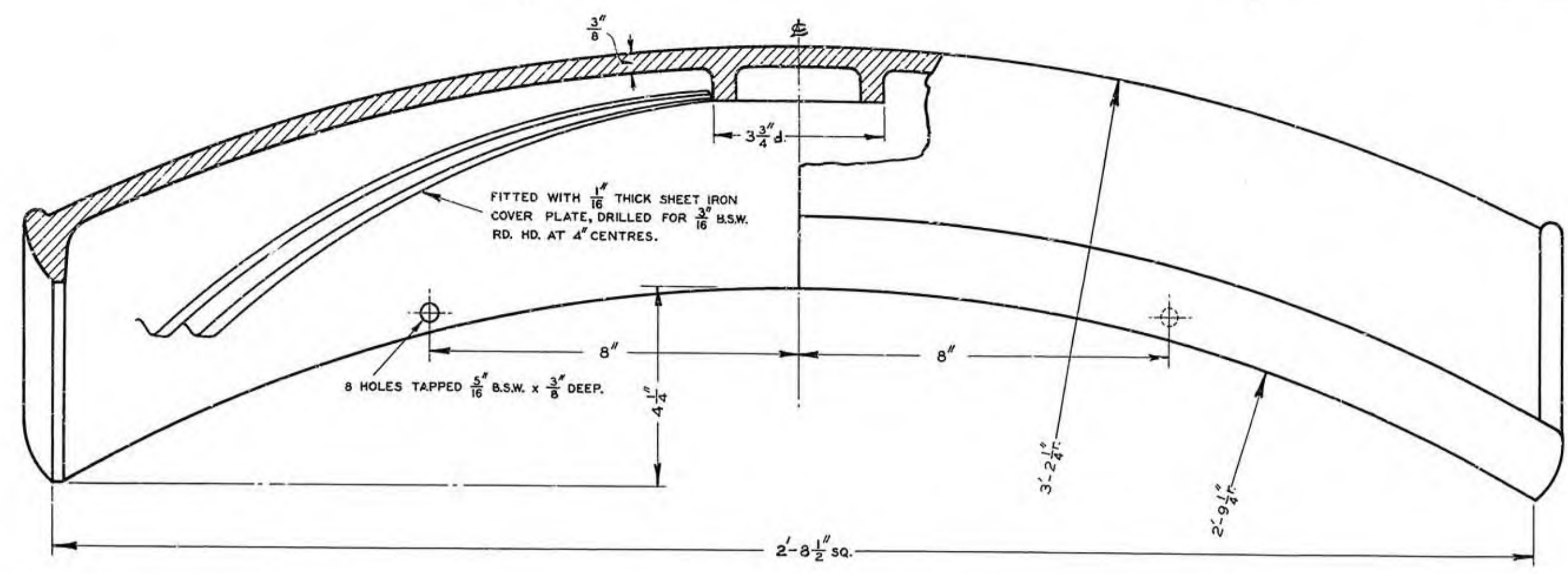
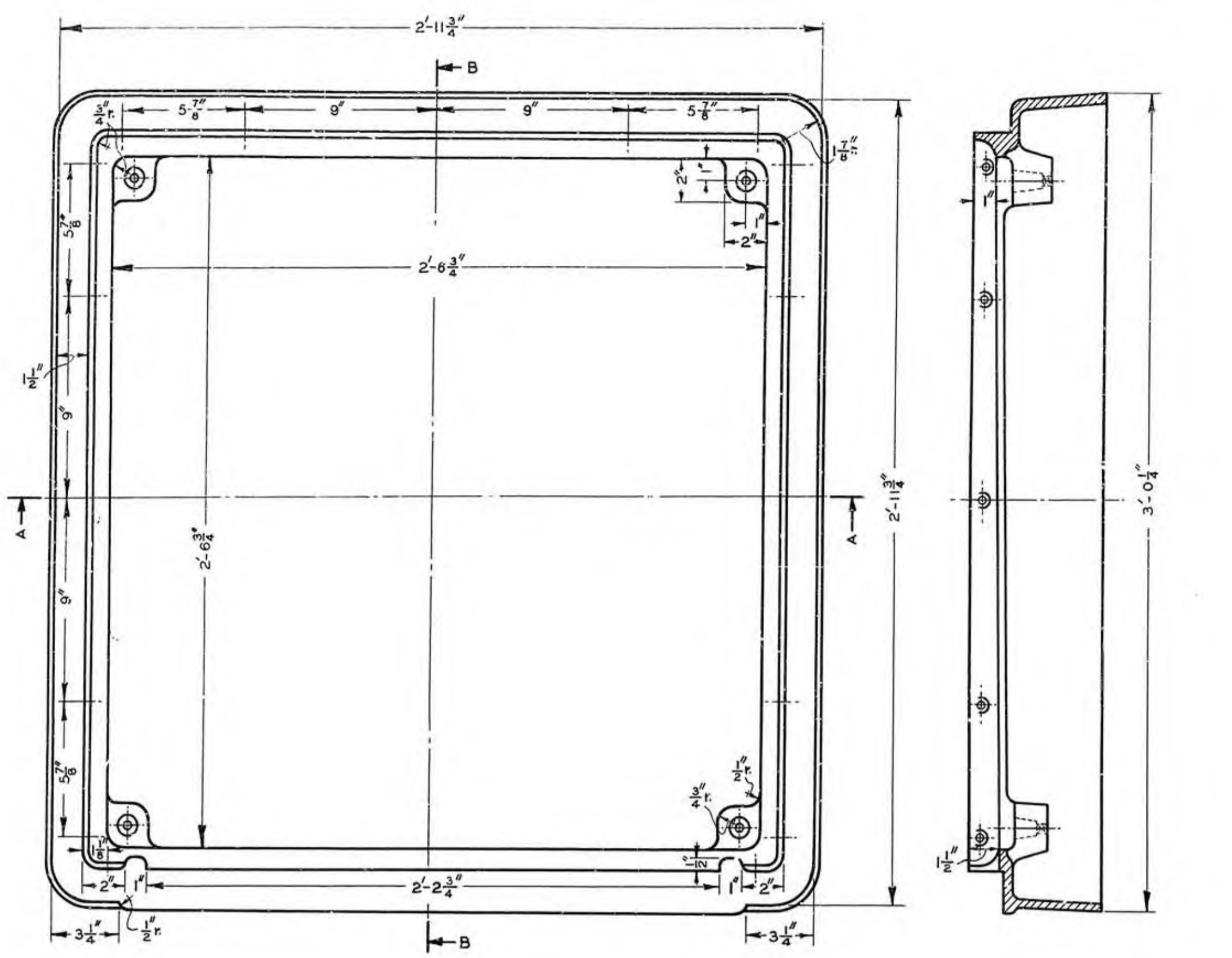
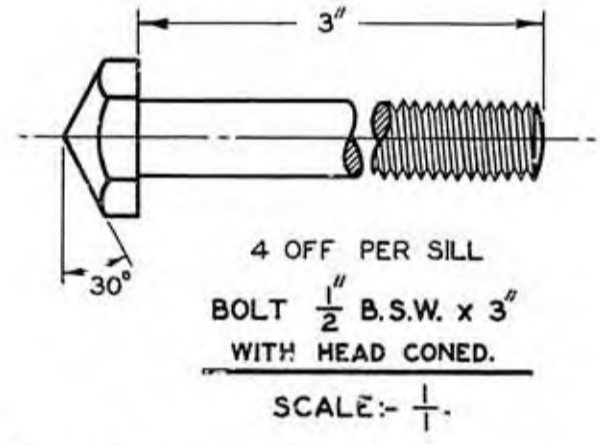
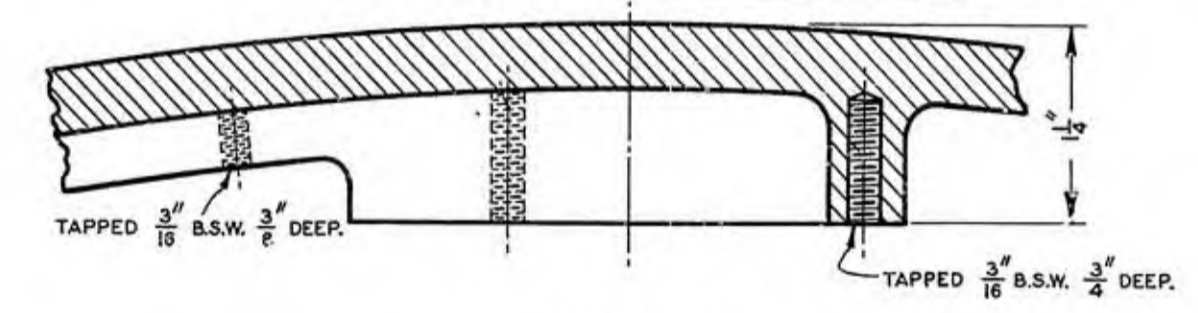
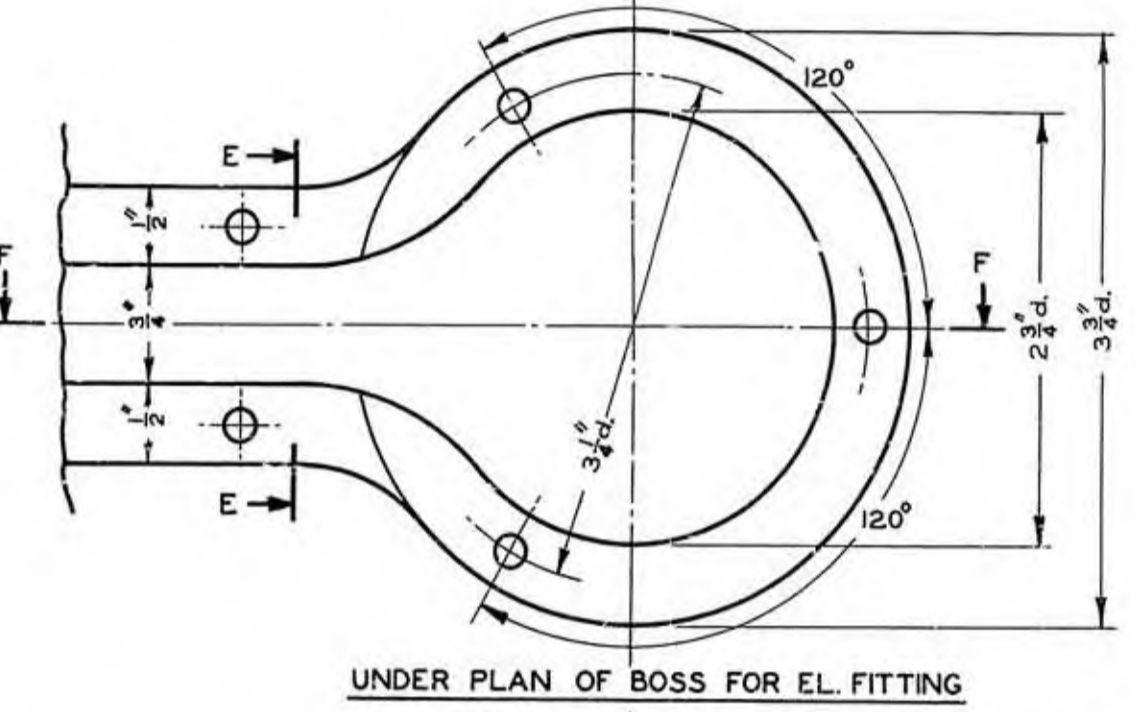
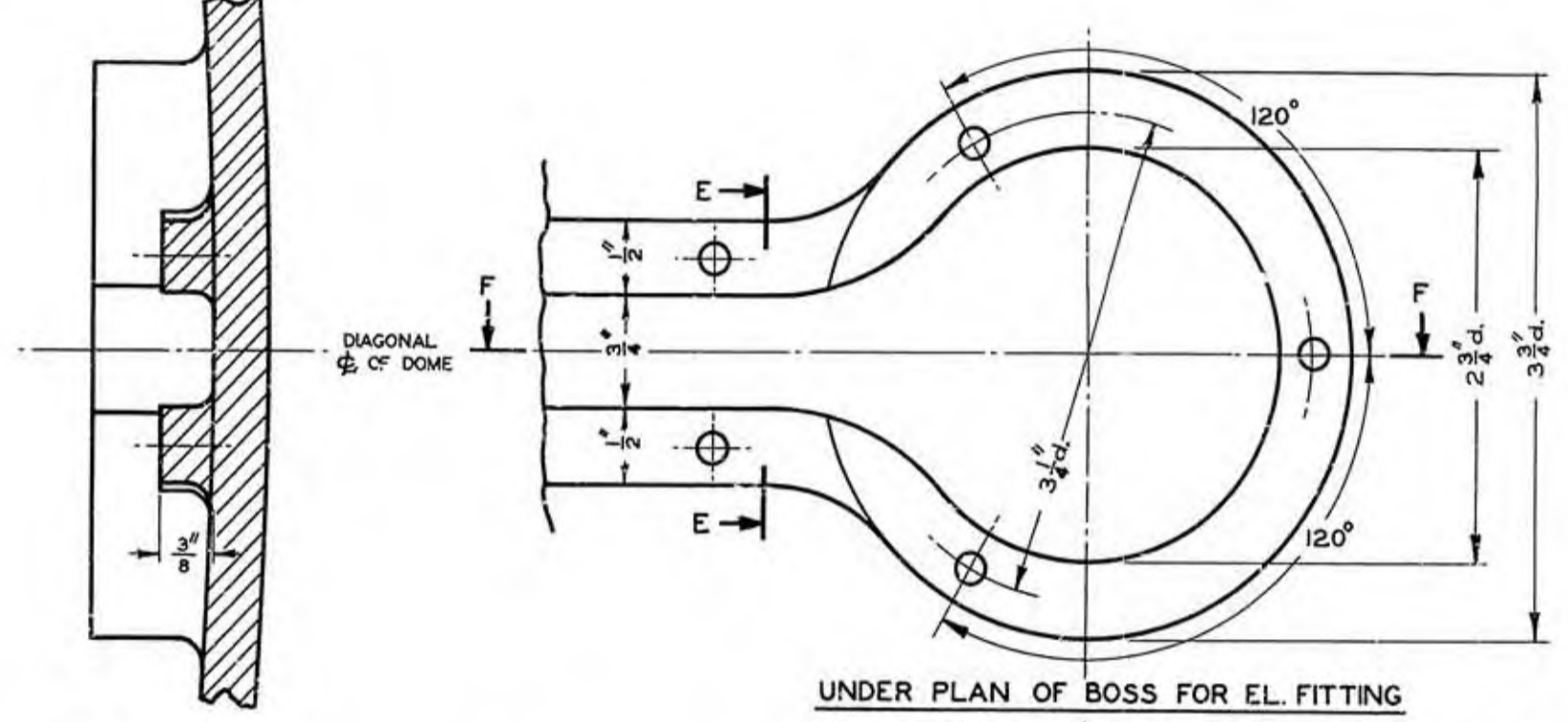
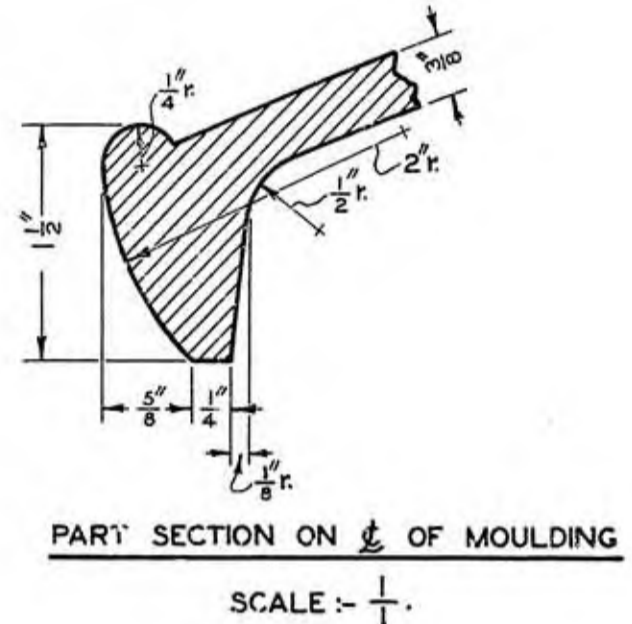
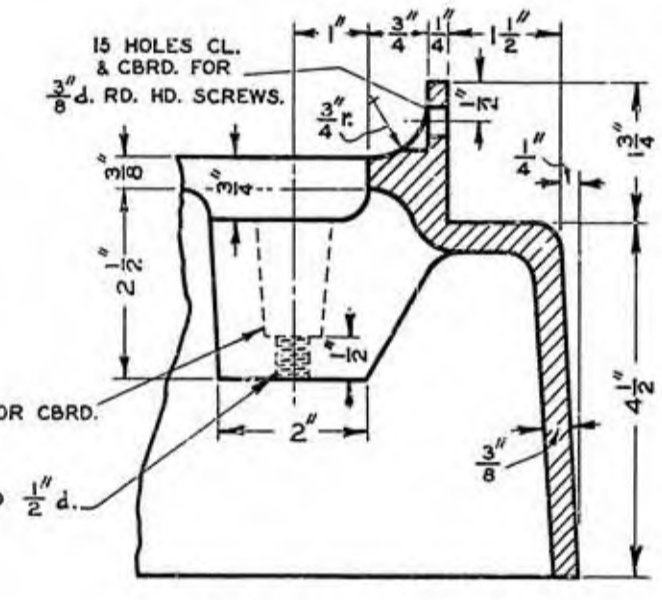
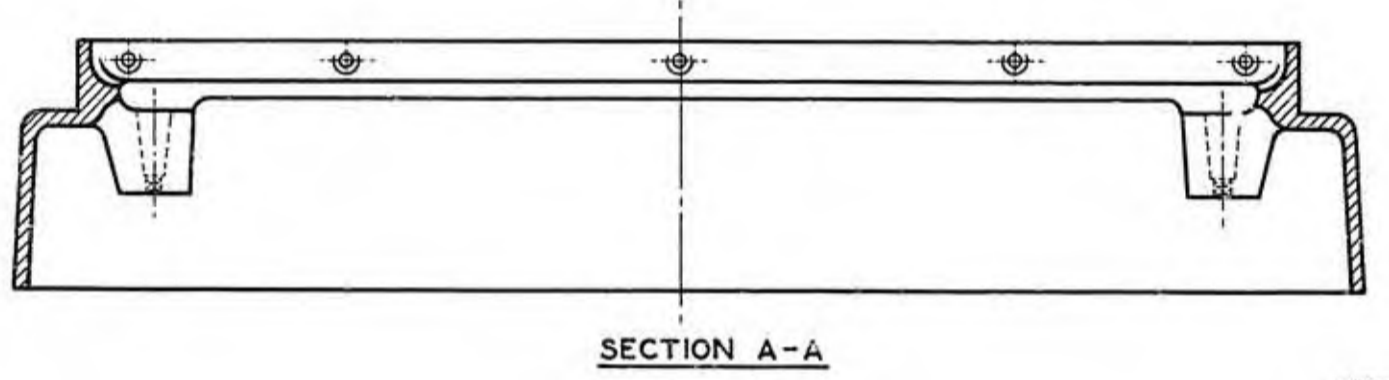


TRIM TO THESE LINES 26'x 40'



POST OFFICE ENGINEERING DEPT.	
E: III - CS OFFICE S Sch.	
File Ref. s. no	Date 26-8-35
Drn. H.C.W.	Appd. in S. Sect. F.J.J.
Ckd. W.J.J.	
ORIGINAL SIGNED BY J.M. MADDOCK	
Supersede	Suffix
Amendment	F
MARK No. WAS NOT SHOWN IN TITLE CT. A/1330 E.A.C. L.E. 15-10-39	
RETRACED, NO AMENDMENT. 15-11-428 F.J.J. 15-2-40	
FRONT, REAR & SIDE CROWN PANELS MODIFIED FOR CROWN ORNAMENT FITTING. SEE VIEW TADROW Y142000. NOTE - FOR CROWN SEE Dwg 60908. DRAFTED BY J.M. MADDOCK. 15-1-35.	



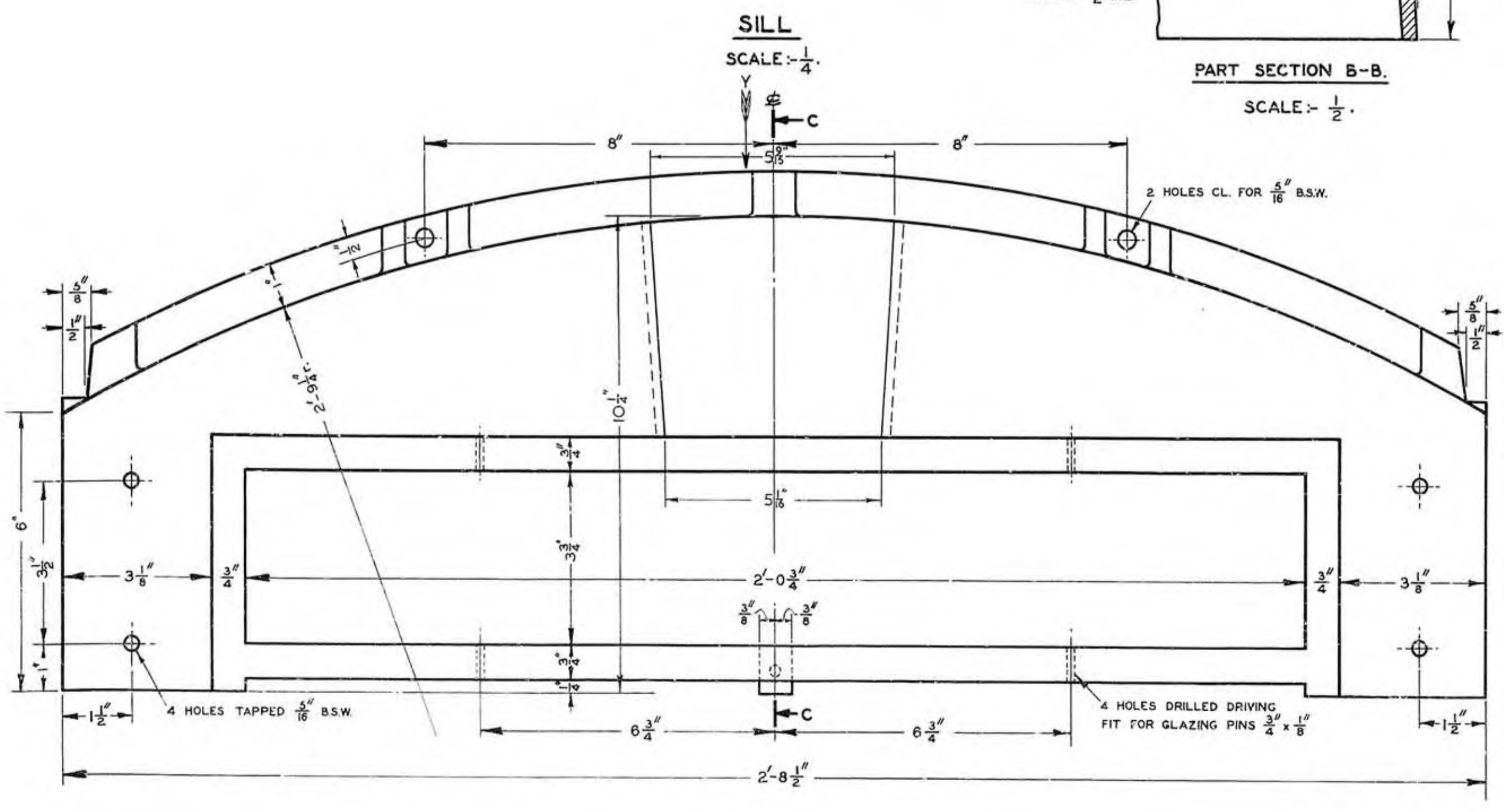
DOME SCALE: 1/2

SECTION F-F SCALE: 1/2

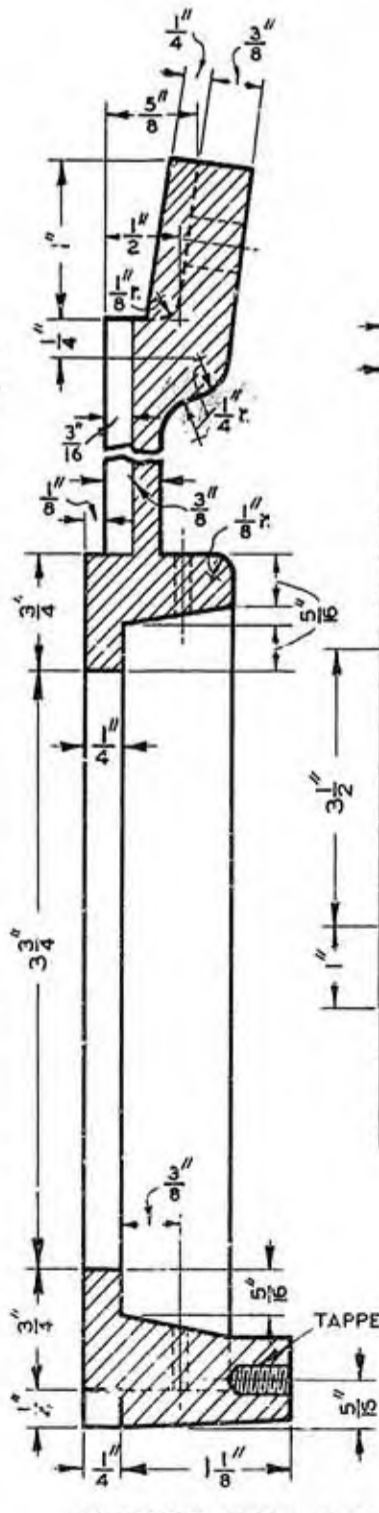
SILL SCALE: 1/4

PART SECTION B-B SCALE: 1/2

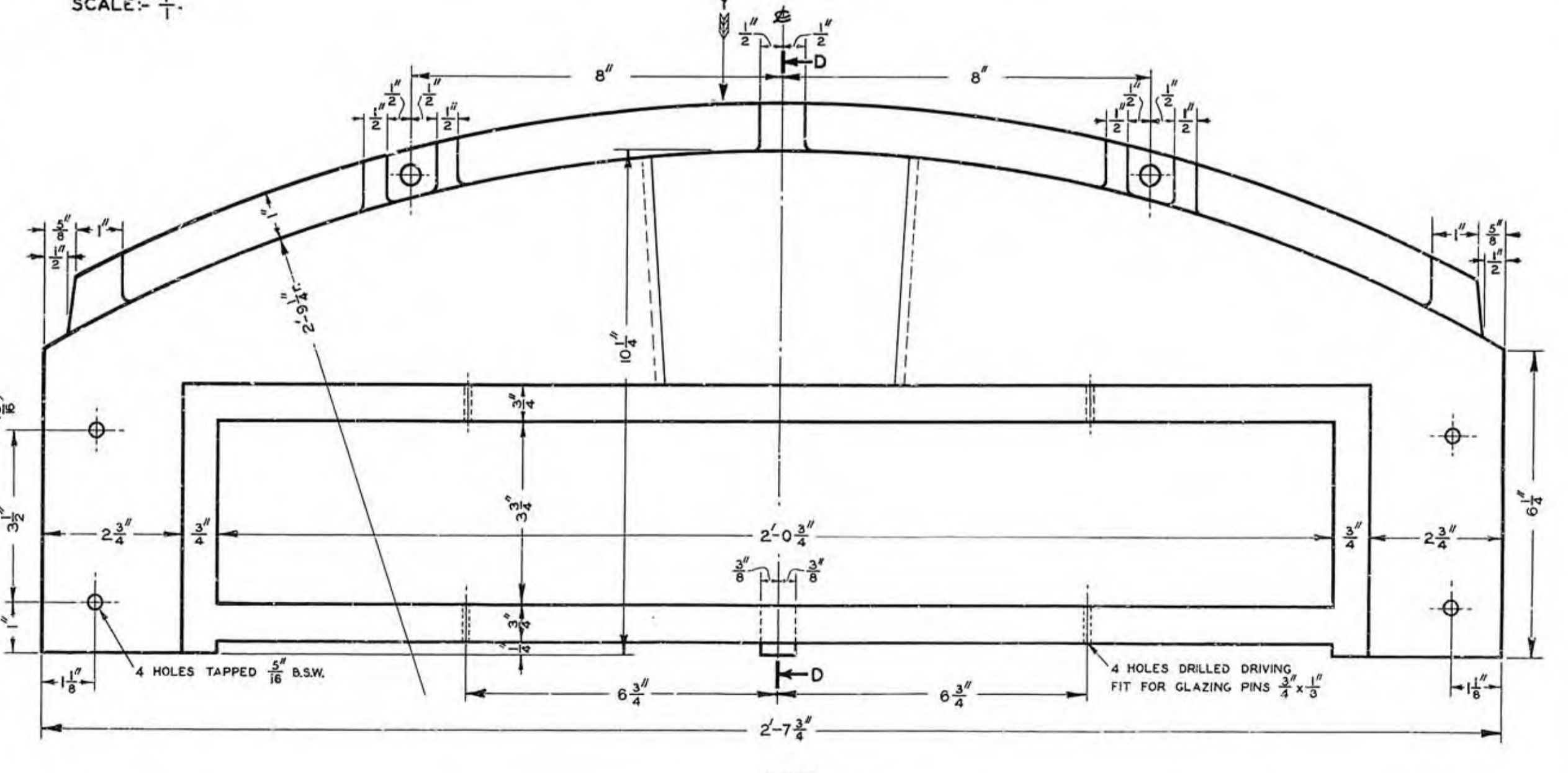
4 OFF PER SILL BOLT 1/2 B.S.W. x 3" WITH HEAD CONED. SCALE: 1/2



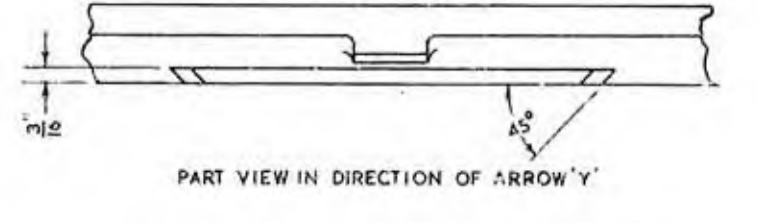
FRONT & REAR CROWN PANELS SCALE: 1/2



SECTION C-C & D-D SCALE: 1/2



2 OFF. SIDE CROWN PANELS SCALE: 1/2



60,904	D 1140
Drgs.	Dgms. Specs.
KIOSK No. 6 MK. 2, DETAILS OF SILL, CROWN PANELS, AND DOME.	
Scale: as indicated.	Wiring Dgm. Assembly Drg.
Spec. D 1140	60,904
DRG. 60,907	