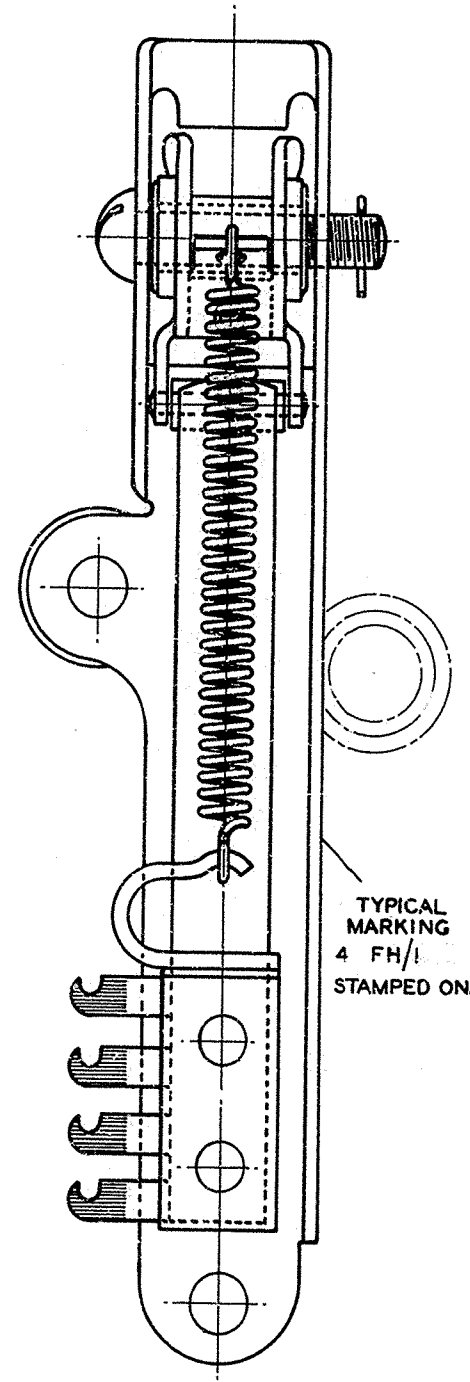
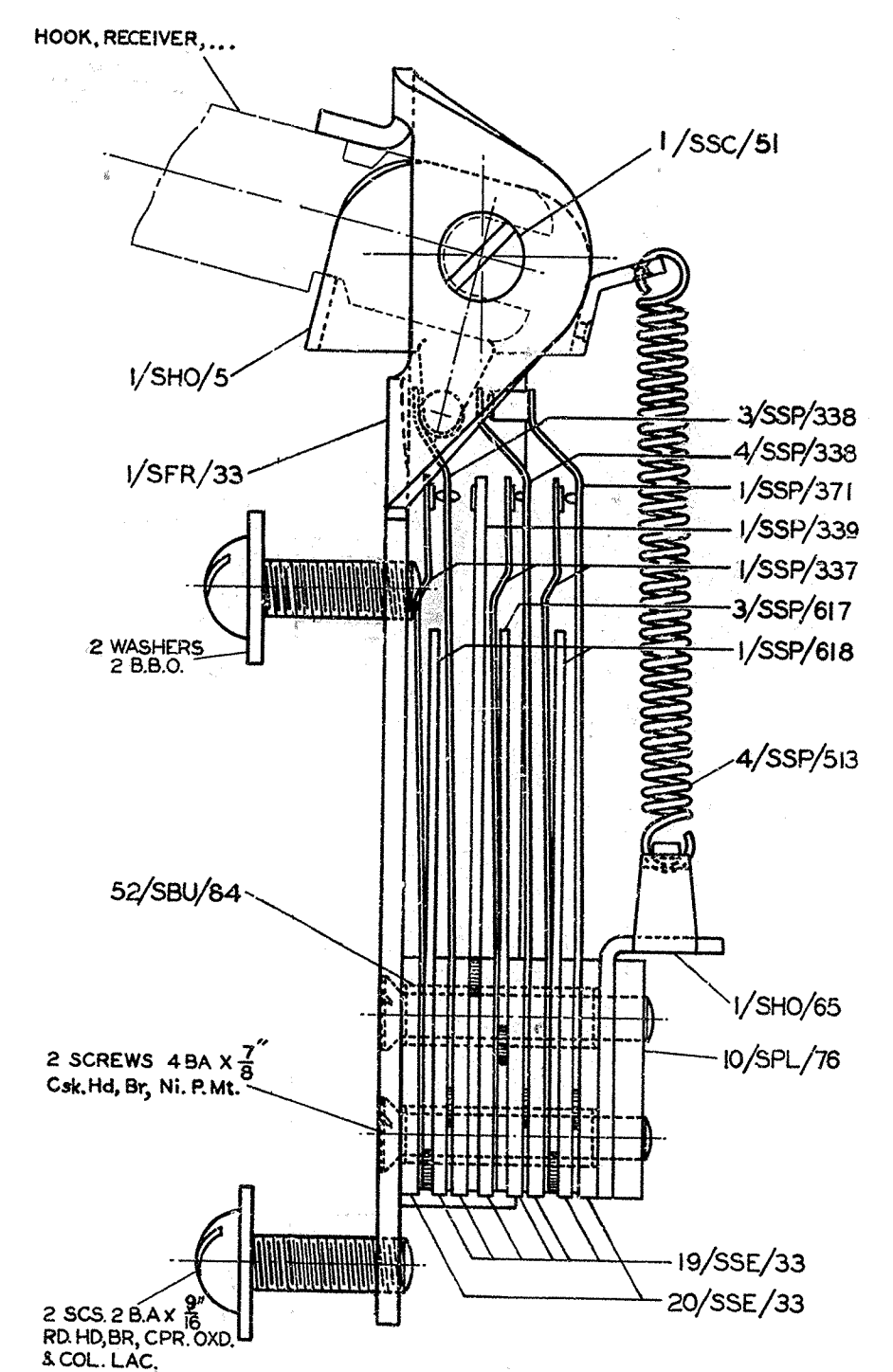


[Handwritten Signature]

AMENDMENT. SUFFIX.

SCHEDULE AMENDED TO AGREE WITH DRAWING. *[Signature]* 16-11-43 A

2 B.A. SCREWS WERE 16 WASHERS 2 B.B.O. ADDED. PARTS 2/SBU/20 DELETED. PLATE ESCUTCHEON No. 7 (REQUISITIONED SEPARATELY) DELETED. *[Signature]* 19-2-46 B



SCHEDULE.

PART.	QTY.
2/SBU/20	2
52/SBU/64	2
1/SFR/33	1
1/SHO/5	1
1/SHO/65	1
10/SPL/76	1
1/SSC/51	1
19/SSE/33	6
20/SSE/33	2
1/SSP/337	3
3/SSP/338	1
4/SSP/338	1
1/SSP/339	1
1/SSP/371	1
4/SSP/513	1
3/SSP/617	1
1/SSP/618	2
SCREW, 4 BA X 7/8 Csk. Hd, Br, Ni. P.Mt.	2
Sc., 2 BA X 9/16 Rd. Hd, Br, Cpr. Oxd. & Col. Lac.	2
WASHERS 2 B.B.O. DRG. SD31	2

FIRST USE:- TELEPHONE No. 151

- NOTES:-
1. THE SWITCH TO BE OPERATED RELIABLY BY RECEIVER BELL No. 1A (13 Ozs.) AND TO RELEASE RELIABLY AGAINST A WEIGHT OF 30zs.
 2. DISTANCE BETWEEN CONTACTS WHEN OPEN TO BE .015" MIN.

SEE SCHEDULE		
		D 1000.
DRAWINGS	DIAGRAMS	SPEC'NS.

SWITCH, RECEIVER,
No. 4.
(MK. I)

SPEC'N. _____

SCALE: 2/1

DRG. 62,440.