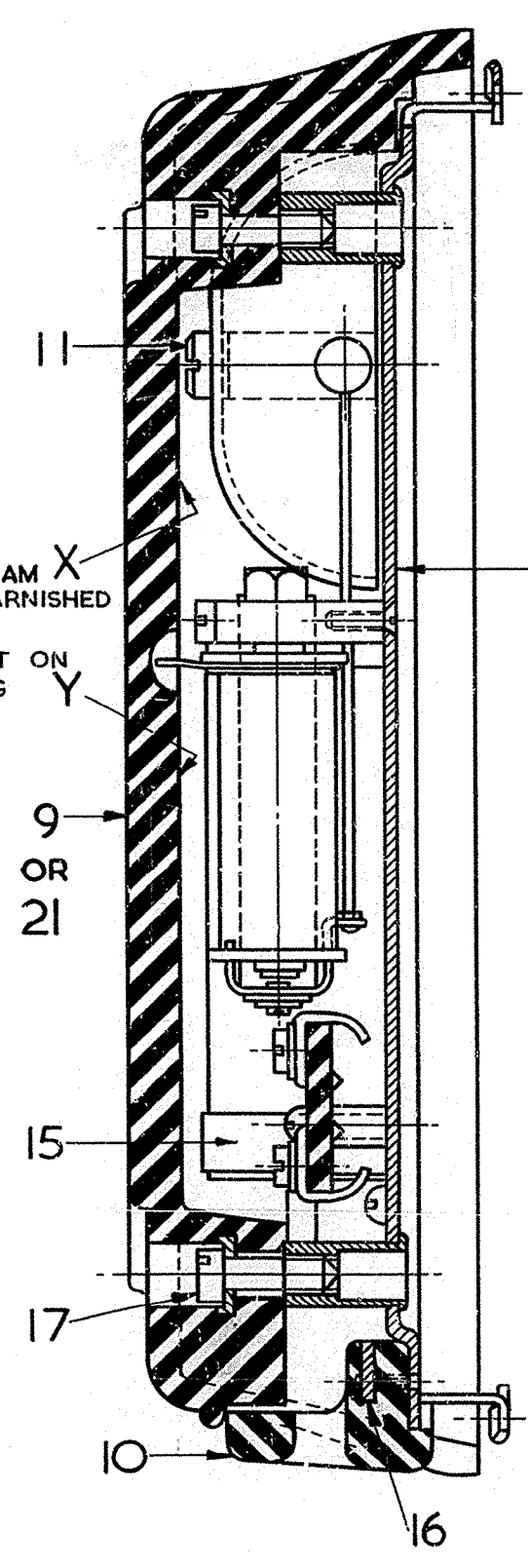
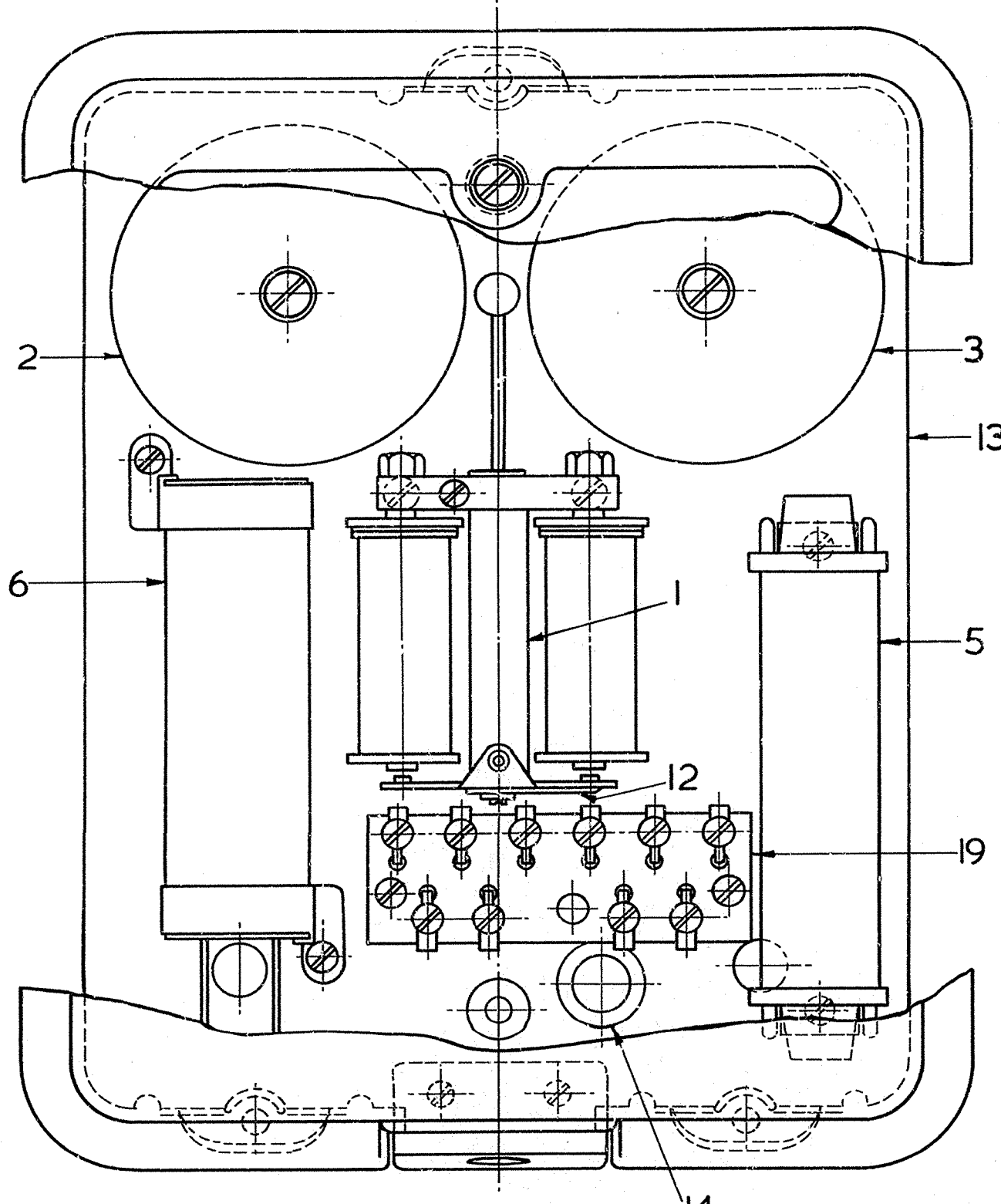
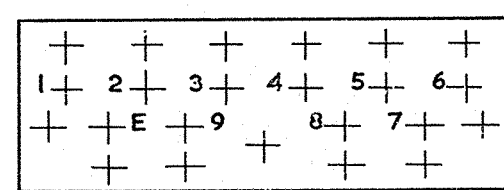


POST OFFICE ENGINEERING DEPT.	
S BRANCH	
DISTRIBUTION GENERAL	
P.O.	
REFERENCES	
SEE SCHED	SPEC. D1000
ASSEMBLY DRG.	WIRING DGM. SEE SCHED.
FILE S 1150	B.T.T.D.C. SPEC. SEE SCHED.
SCALE: 1" = 1"	AND AS INDICATED THIRD ANGLE PROJECTION
DECIMAL DIMENSIONS NOT TOLERANCED SUBJECT TO	
APP'D IN	SECTION
J.M.MADDOCK	DRN. W. R. A. T.C.D. W. R. A. CKD. A.J.S. T.D. DATE 21. 7. 38



BELL-SET No. 26 BLACK SHOWN



ENGRAVING OF ITEM 19  
BELL-SETS Nos. 26 & 31

SCHEDULE OF DGM. & SPEC'N			
BELL SET No.	DIAGRAM X	DIAGRAM Y	SPEC'N
26		N526	S89
31	LD7 FIG.2	LD7 FIG.1	S90

NOTE:- DELETED

ITEM	CCT. CODE	DESCRIPTION	DRG.	SPEC.	No. OFF BELL-SET				SCREWS, ETC.	MTL.	FINISH	No. OFF
					No.26 BLACK	No.26 GREY, IVORY	No.31 BLACK	No.31 GREY, IVORY				
1		BELL No.59A, UNMOUNTED	9874		1	1	1	1	SCREW 4 B.A. X 3/8" CSK. HD.	BR. Ni.PMT.		2
2		BELL GONG No.2, NICKELLED	CD254		1	1	1	1	WSR. LOCKING No.1-2 B.A.	BR. Ni.PMT.		1
3		BELL GONG No.2A, NICKELLED	CD254		1	1	1	1	WSR. LOCKING No.1-2 B.A.	BR. Ni.PMT.		1
4		DELETED										
5		COIL, INDUCTION No.21	9875		-	-	1	1				
6		CAPACITOR, PAPER No.7705		D1251	1	1	1	1				
7		DELETED										
8		DELETED										
9		PART 1/SCO/1 (COVER, BELL-SET) SEE ITEM 21	SCO/1	S501	1	-	1	-				
10		PART 1/SGU/1 (GUIDE, CORD)	SGU/1		1	-	1	-	SCREW, 6 B.A. X 1/32" CSK. HD	BR. Ni.PMT.		2
11		PART 2/SSC/17 (SCREW, No. 2 B.A. SPECIAL)	SSC/17		2	2	2	2				
12		DELETED										
13		PART 1/SBA/6 (BASEPLATE COMPLETE)	SBA/6		1	1	1	1				
14		PART 18/SBU/81 (BUSH, INSULATING)	SBU/81		1	1	1	1				
15		PART 1/DCL/110 (CLIP, CAPACITOR)	DCL/110		2	2	2	2	SCREW, 6 B.A. X 1/8" RD. HD.	BR. Ni.PMT.		2
16		PART 2/SPL/147 (PLATE, CLAMPING)	SPL/147		1	1	1	1				
17		PART 1/DSC/387 (SCREW, LOCKING)	DSC/387		2	-	2	-				
18		DELETED										
19		PART 1/SST/63 (STRIP, CONNEXION)	SST/63		1	1	1	1	SCREW, 4 B.A. X 1/4" RD.HD.	BR. Ni.PMT.		2
20		DELETED										
21		COVER No.71A (COLOUR) SEE ITEM 9	91773		-	1	-	1				

AMENDMENT	SUFFIX
SEE SUPERSEDED ISSUE FOR PREVIOUS AMENDMENTS	
REDRAWN, SUPERSESION NOTES AMPLIFIED. ITEM 21 ADDED AS ALTERNATIVE TO ITEM 9 DUAL No. OFF COLUMNS ADDED	H
<i>m.g.p. 21/8/63</i>	22.7.63

SUPERSEDES DRGS. 9928, 9934, 60601 AND 60441  
BELL-SET No.25 (COLOUR):- CANCELLED. NO SUPERSEDING ITEM  
BELL-SET No.32 :- CANCELLED. NO SUPERSEDING ITEM  
BELL-SET No.31 :- FOR SUPERSEDED ITEMS SEE DRG. 1576 (BELL-SETS Nos. 5 & 15)

BELL-SET No.26 (COLOUR) (MARK 1)  
BELL-SET No.31 (COLOUR) (MARK 1)  
ASSEMBLIES