

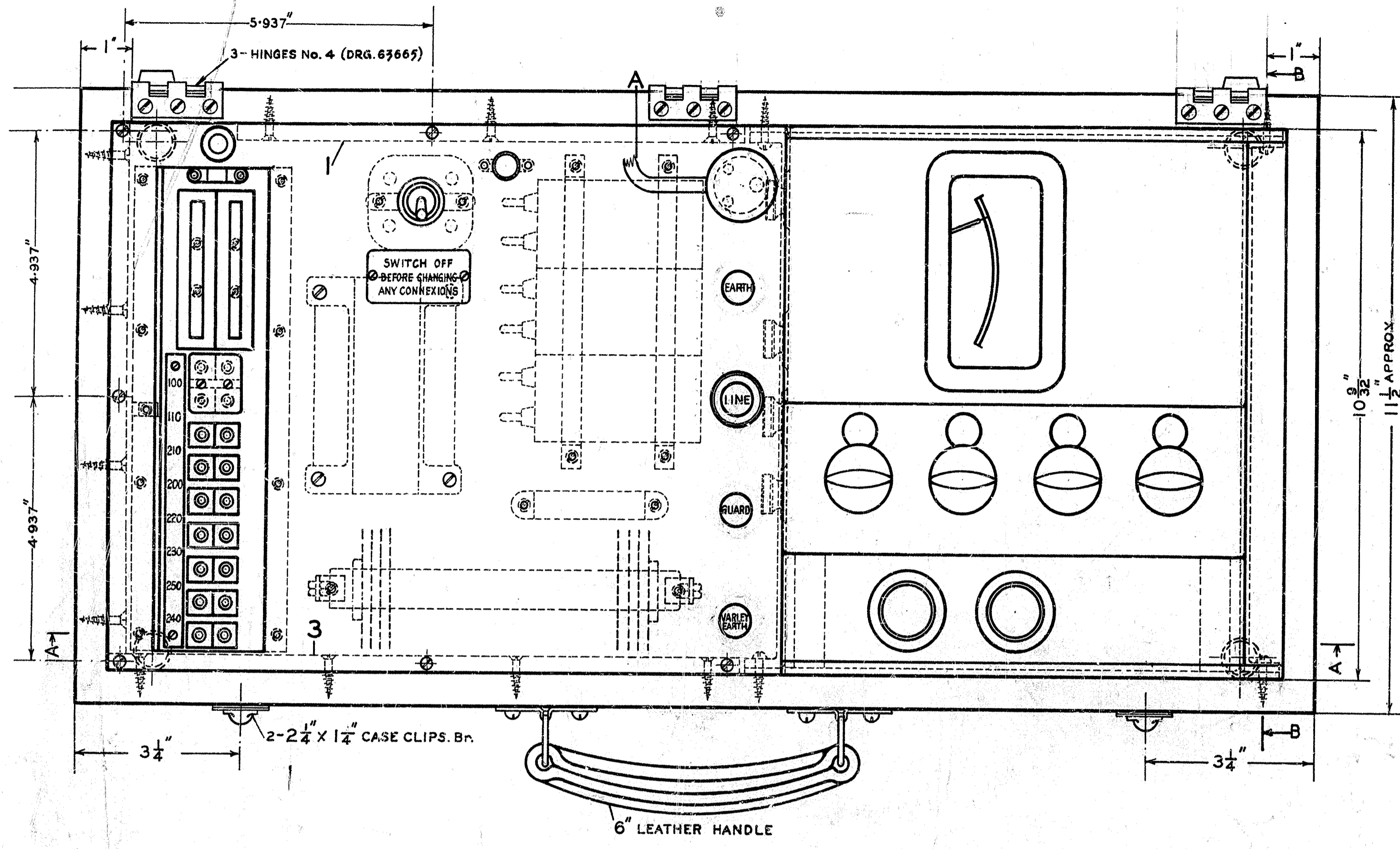
SCHEDULE						
ITEM	DESCRIPTION	QTY	DRG	SCREWS, WASHERS, ETC.		
				QTY	DESCRIPTION	MATL FINISH
A	CORD, FLEX, E.L. 250V. CLASS D3, 001	4 YDS	---	---	---	---
B	OHMMETER No. 7A	1	CD 226	4	Wd. Sc. No. 6 X $\frac{7}{8}$ Rd. Hd.	M.S. Ni. P. MF.
C	PLUG, WALL No. 2	1	---	---	---	---
D	RECTIFIER No. 39B	1	63,232	7	Sc. 4 FG. (Drg. SD 32.)	BIK. Lac.
1	---	1	63,233	3	Wd. Sc. No. 6 X $\frac{7}{8}$ Csk. Hd.	M.S. B.LUED
2	---	1	"	4	" " " " " "	" "
3	---	1	"	4	" " " " " "	" "
1/SBU/5	---	8	SBU/5	8	Wd. Sc. No. 6 X $\frac{7}{8}$ Rd Hd	Br. ---

F Reid.

AMENDMENT. SUFFIX

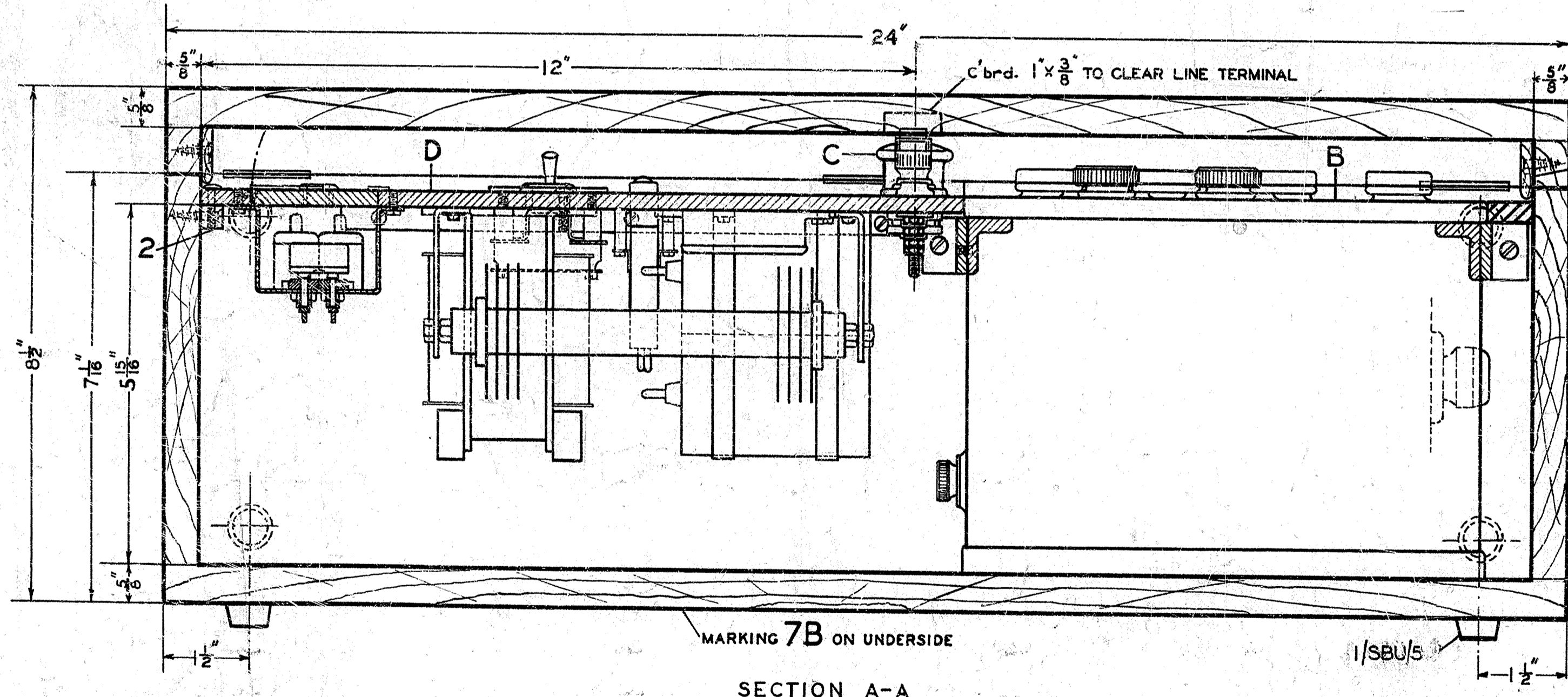
CASE AMENDED TO SUIT CHANGE ON RECTIFIER No 39B. *W.D.P.* 2.2.40 A3

3-HINGES No. 4 (DRG. 63665) WERE 7-1/4" SLIDING BUIT HINGES BR. *W.D.P.* 19.3.54 B

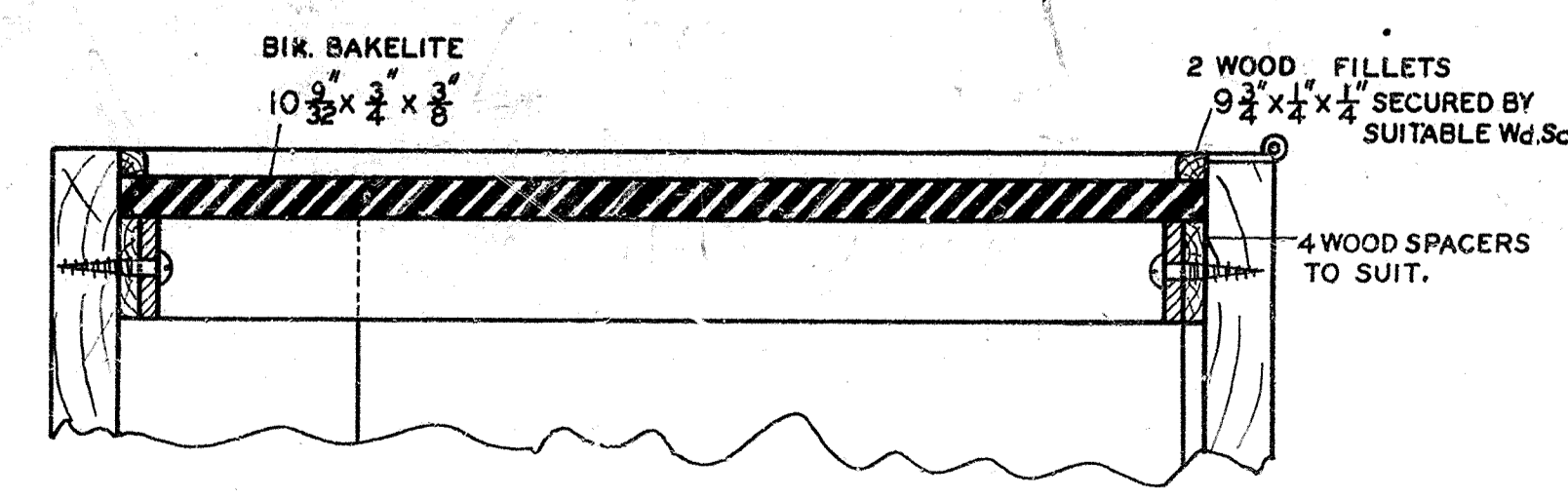
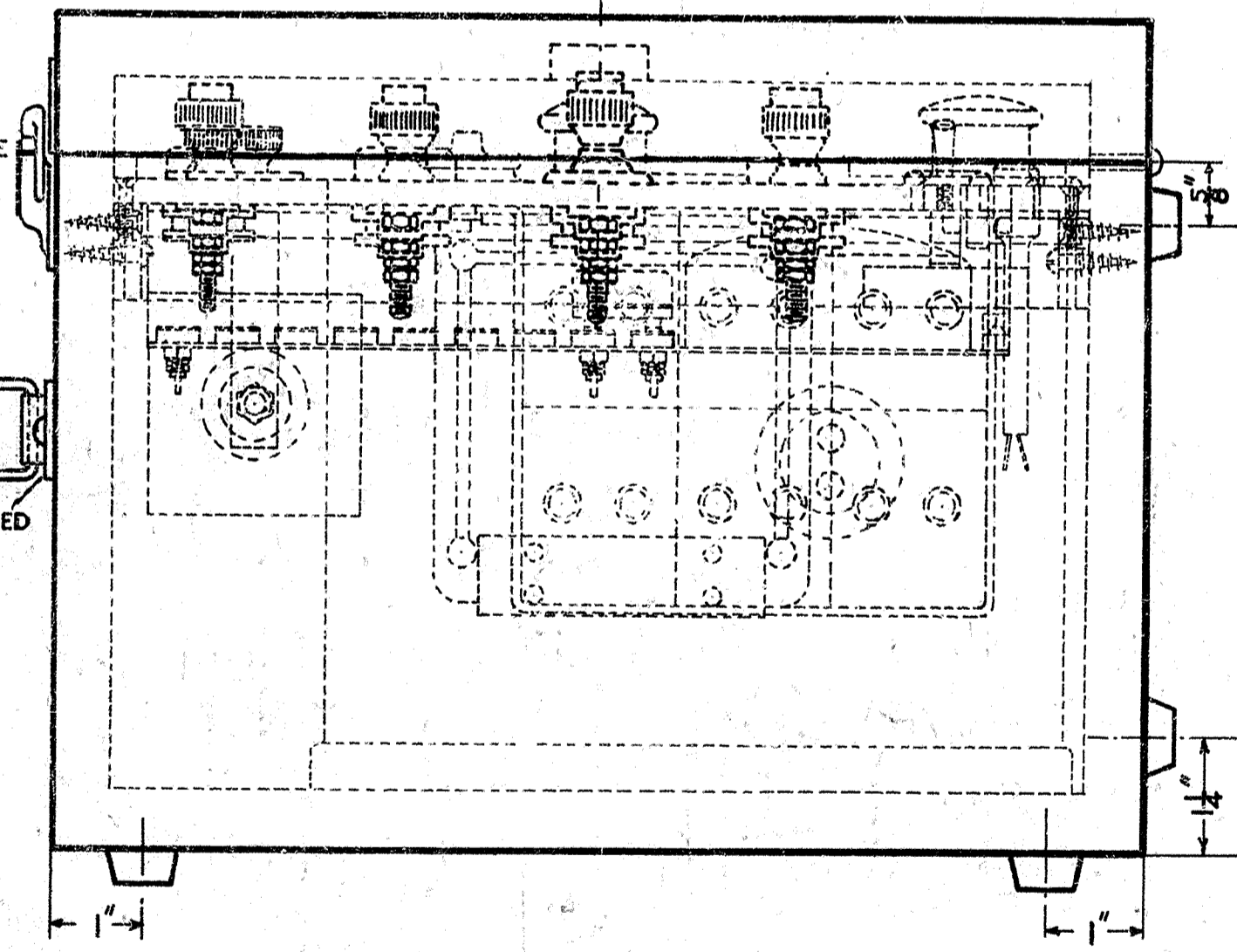
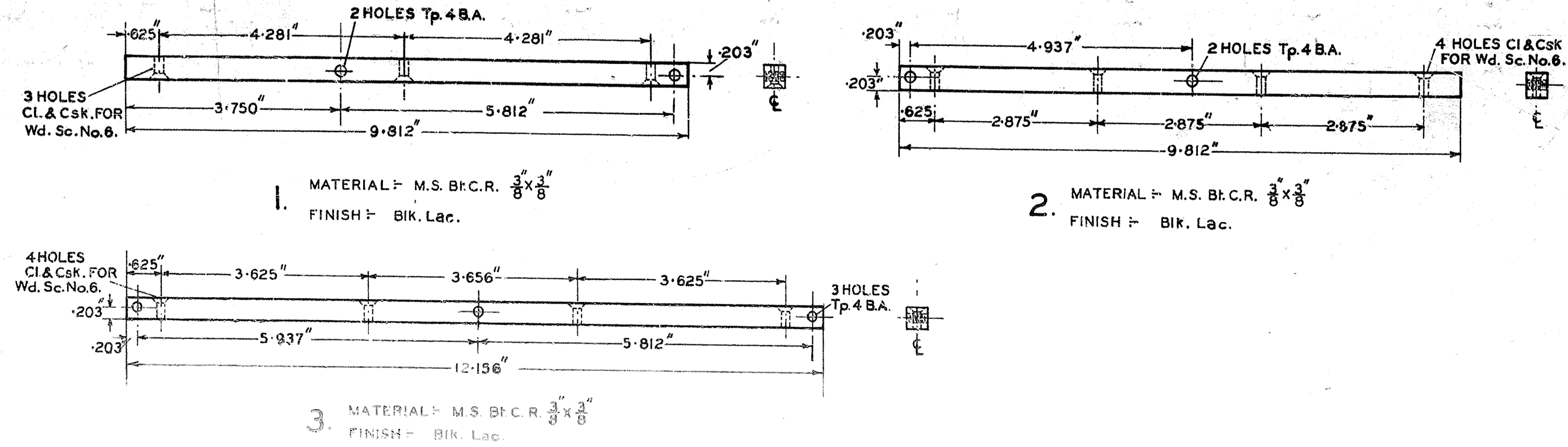


VIEW WITH LIDS REMOVED

MATERIAL: TEAK. FINISH: OILED. NOTE: ALL WOODWORK TO SPEC. D1309.



SECTION A-A



PART SECTION B-B

DO NOT SCALE
(A MICROFILM PROCESS PRINT)

63665	D 1395
SD 32	D 1309
SEE SCHEDULE	D 1,000.
DRAWINGS.	DIAGRAMS. SPEC'NS.

OHMMETER No. 7B.
250 VOLTS.

FOR WIRING SEE SPEC'N.

SPEC'N: - D 1395

SCALE: - 1/2"

DRG. 63,233