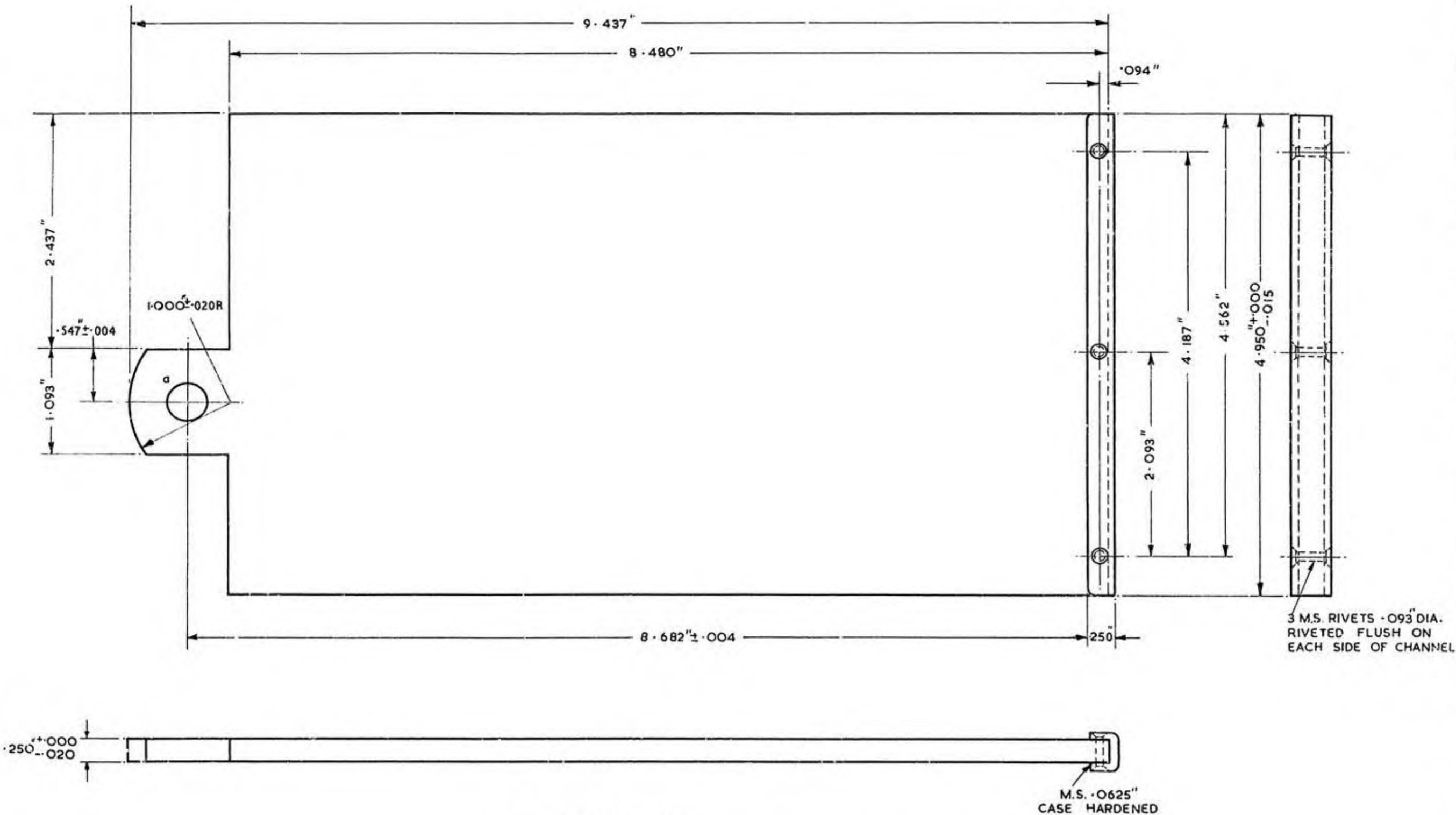
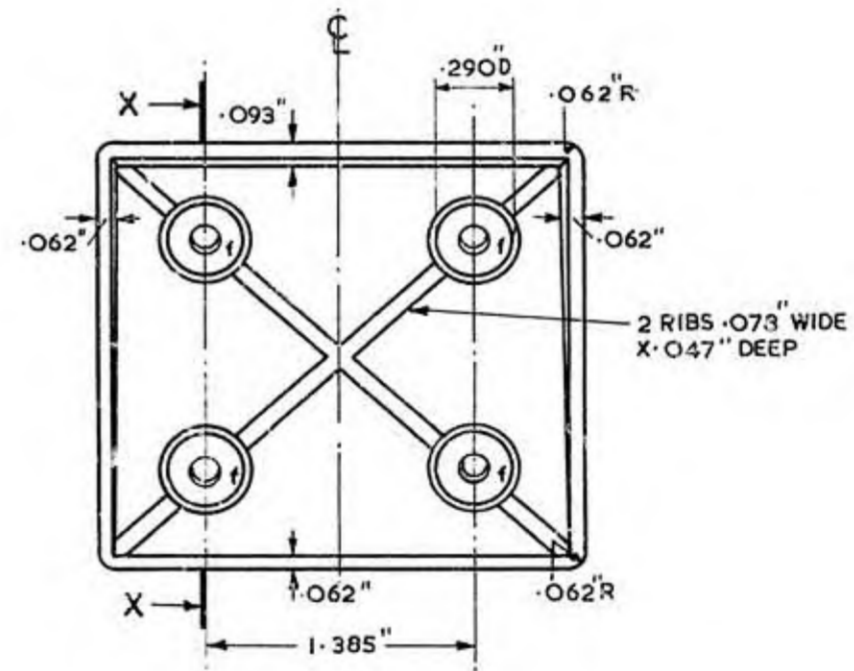
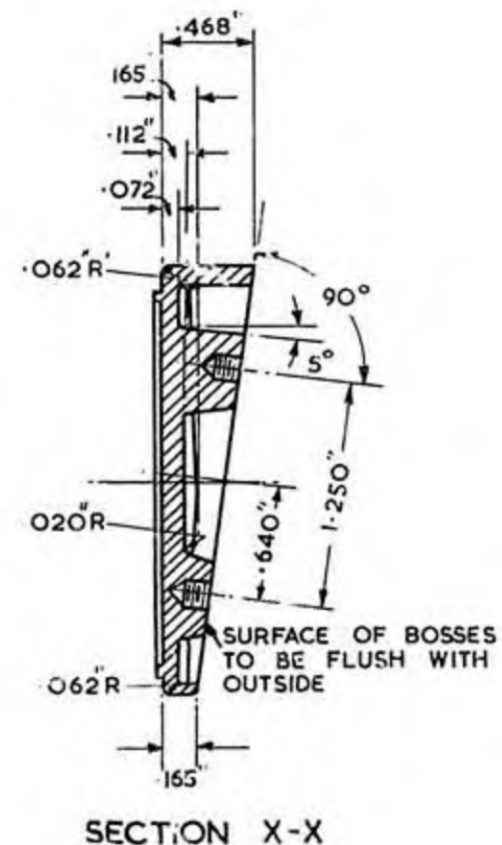
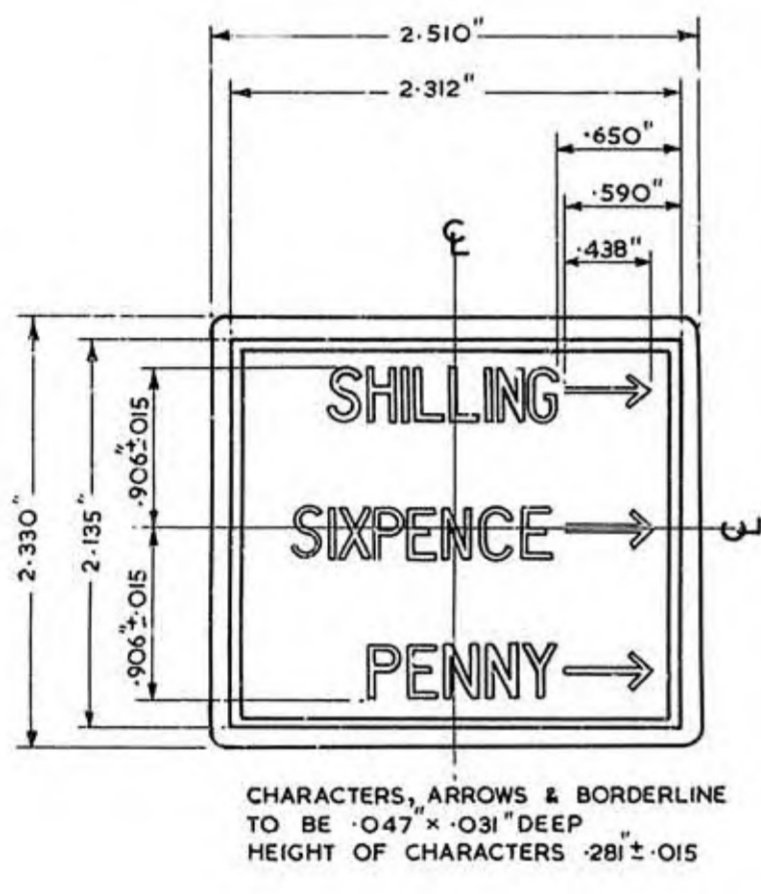


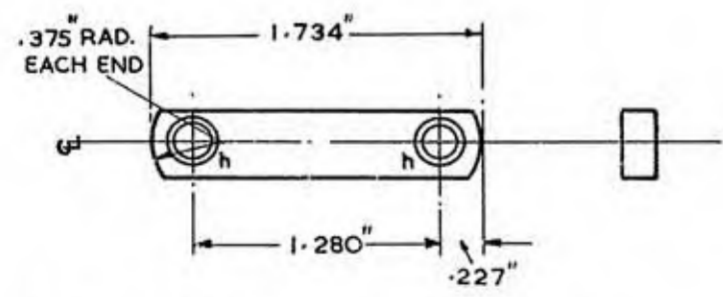
POST OFFICE ENGINEERING DEPT  
 CIVIL ENGINEERING BRANCH  
 DISTRIBUTION  
 RESTRICTED  
 REFERENCES  
 ASSEMBLY DRAWING  
 SEE NOTE 2  
 FILE NO. S 6602  
 3 RD. REV.  
 UNLESS OTHERWISE STATED, LIMITS ON HOLE CENTRE (I.E. BETWEEN HOLES AND/OR HOLES DIMENSIONED FROM A DATUM LINE) ±.004 LIMITS ON ALL OTHER DIMENSIONS ±.010  
 APPROVED BY: L.J.W.  
 P.W.E.  
 F.V.P.  
 H.B.  
 DATE: 26-8-47  
 DET. 15 FORMERLY KNOWN AS DET. 22 SHOWN ON DRG. 9794 OVER ALL DIMENSIONS MODIFIED  
 DET. 16 FORMERLY SHOWN ON DRG. 9792 DIM 5.000 WAS 3.000  
 DET. 17 FORMERLY KNOWN AS DET. 1 SHOWN ON DRG. 63946 N.Y.A. DIM 1.385 OF HOLES f WAS 1.375  
 DET. 19 FORMERLY KNOWN AS DET. 17 SHOWN ON DRG. 9792 REDESIGNED.  
 DET. 20 FORMERLY KNOWN AS DET. 1 SHOWN ON DRG. 63945 N.Y.A. DIM 1.280 WAS 1.265  
 DET. 21 FORMERLY KNOWN AS DET. 18 SHOWN ON DRG. 9792.  
 DET. 22 FORMERLY KNOWN AS DET. 2 SHOWN ON DRG. 63945 N.Y.A. DIM 5.63 WAS 4.05  
 DET. 23 FORMERLY KNOWN AS DET. 19 SHOWN ON DRG. 9792.  
 DET. 18 FORMERLY PART OF DET. 1 ON DRG. 63948 FILED N.Y.A.  
 D.H.T.  
 DET. 17 - FINISH AMPLIFIED.  
 R.H.W. G.A.C. H.E.S. 25-11-55  
 REDRAWN.  
 CONTAINER No. 16A (MK.2) ADDED TO TITLE.  
 NOTE 2 ADDED.  
 SHEET 2 SUPERSEDED BY DRG. 90951/0 29.3.58  
 UPDATED. ASS. ENG. R. G.



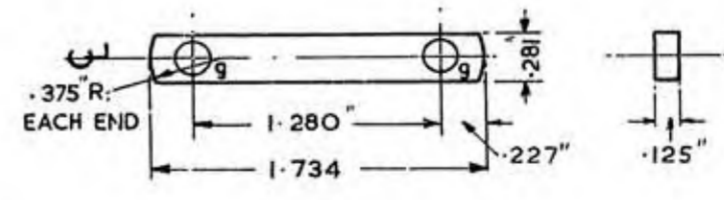
15 MATERIAL: - M.S.  
 FINISH: - PHOSPHATE ETCHED AND 2 COATS OF BLACK, STOVE ENAMEL.



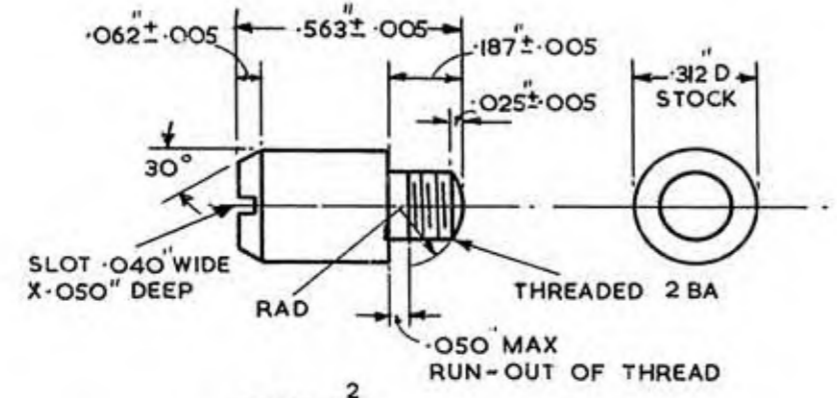
17 MATERIAL: - BRASS, HOT PRESSING  
 FINISH: - CHROMIUM PLATE. BACKGROUND TO BE FINISHED MATT., FACE OF CHARACTERS, ARROWS AND RECTANGULAR FRAME TO BE POLISHED.



20 MATERIAL: - M.S. .375 x .187 STOCK  
 FINISH: - CADMIUM PLATED



25 MATERIAL: - M.S.  
 FINISH: - CADMIUM PLATED



22 MATERIAL: - BRASS  
 FINISH: - NI. P. MT.

DRILLING SCHEDULE	
REF LETTER	DRILLING
a	.375±.004 DIA. (DRILL 3/8")
b	.152±.003 DIA. (DRILL 24)
c	.149 DIA. (DRILL 25)
e	.128±.002 DIA. (DRILL 30)
f	TPD. 4 BA *125" MIN. FULL THREAD 200" MAX. DEPTH TO POINT OF TAPPING DRILL
g	TPD. 4 BA
h	5/32 D. & CSK FOR 4 BA.

NOTE  
 1. ALL SHARP EDGES TO BE REMOVED.  
 2. SEE DRG. 63934 SHT. 1-9 FOR ASSY OF CONTAINER No. 8A.  
 SEE DRG 90951 FOR ASSY OF CONTAINER No. 16A

BOXES, CC. PARTS.  
 CONTAINER No. 8A (MK. 2)  
 CONTAINER No. 16A (MK. 1)  
 CONTAINER No. 16A (MK. 2)

DETAILS 16, 18, 19, 21 & 23 DELETED.