

TELEPHONES Nos. 3 & 11. (MARK 238).

Note:- A Telephone No. 11 is a Telephone No. 3 fitted with a Gen. No. 4C.

ASSEMBLY

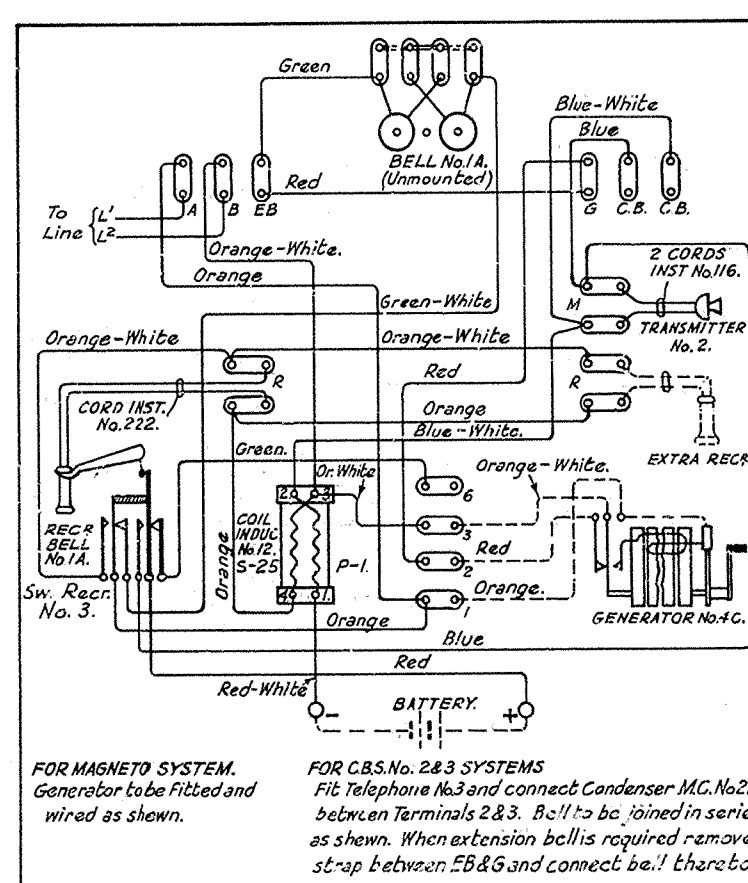
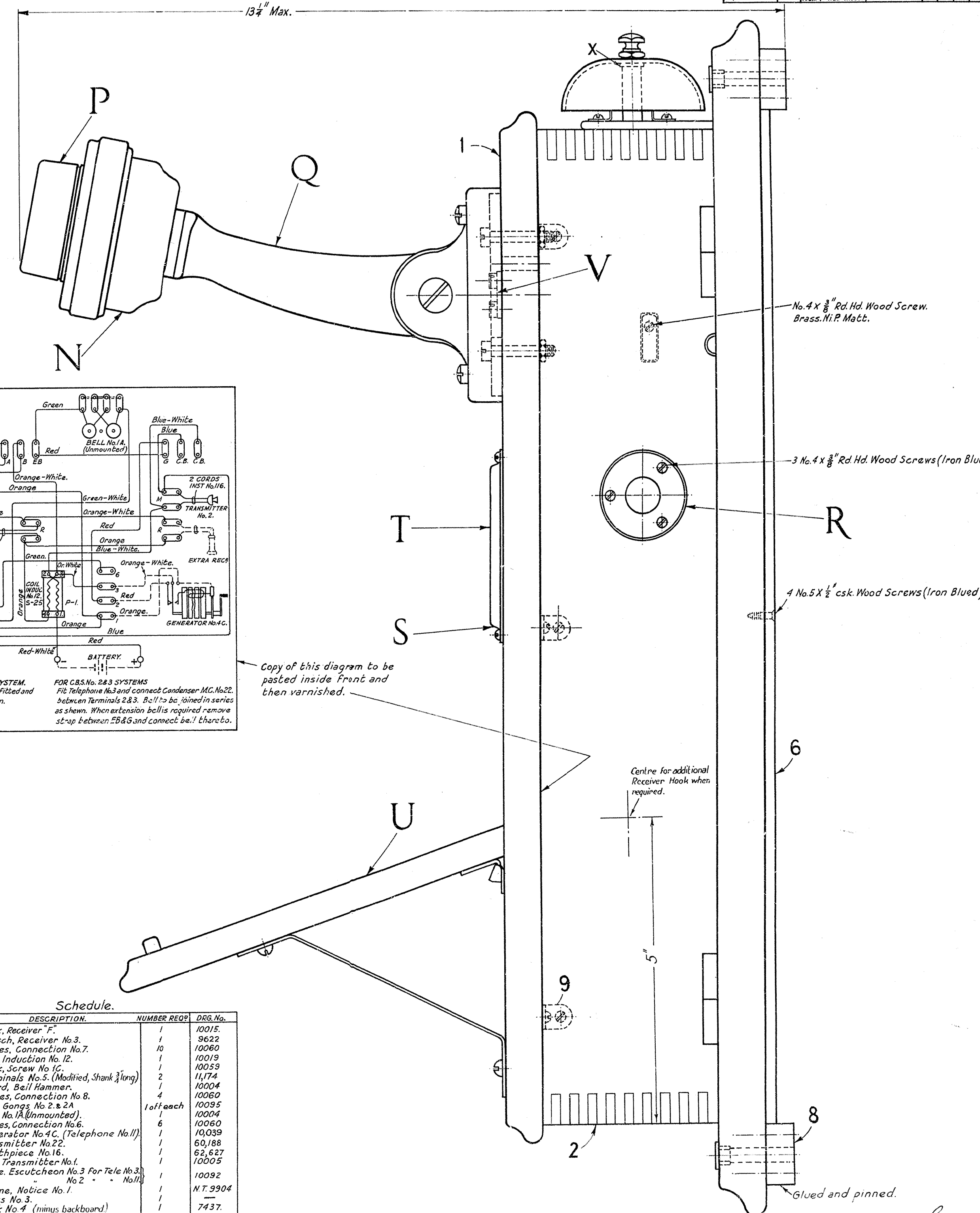
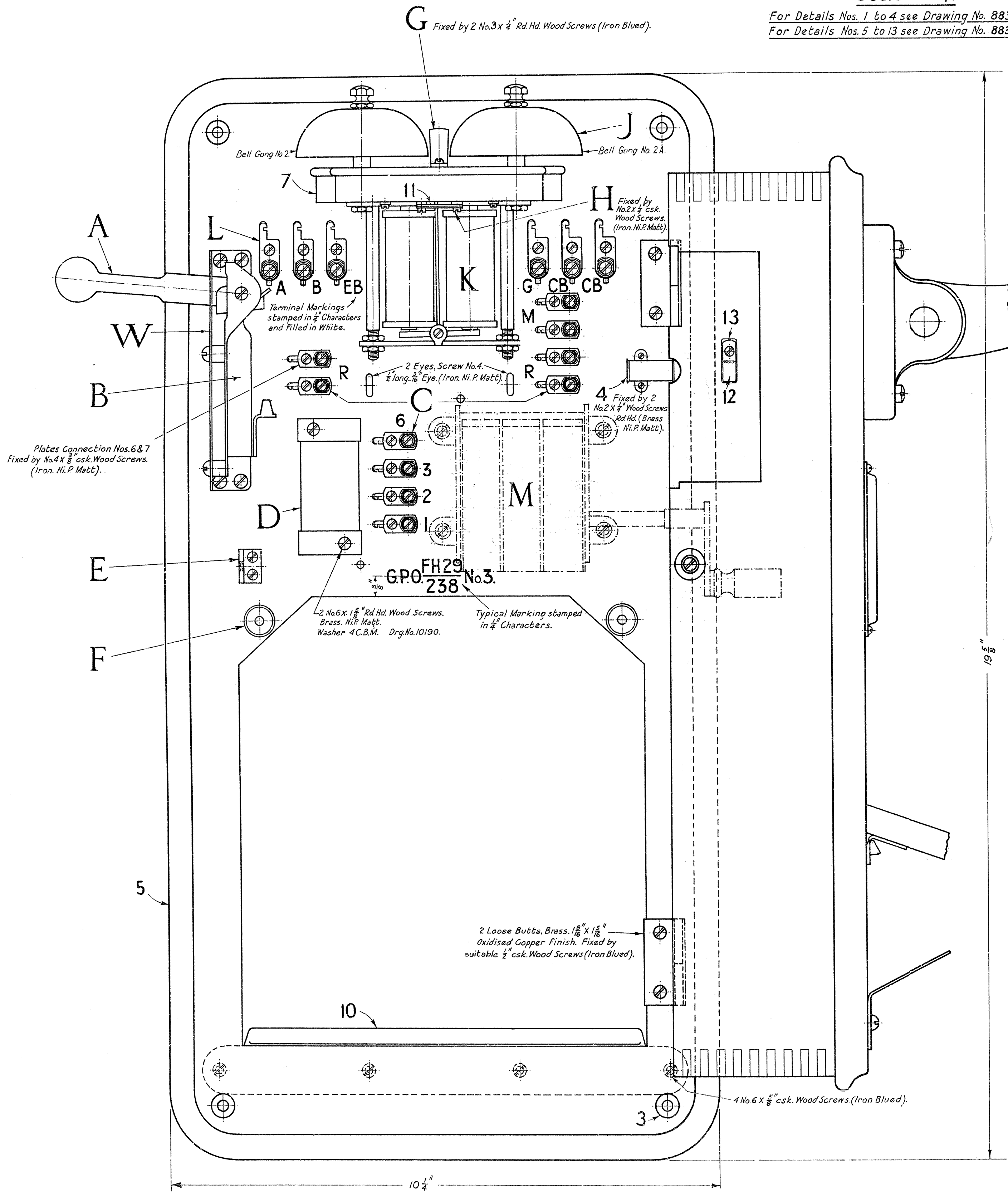
Scale:- 1.

For Details Nos. 1 to 4 see Drawing No. 8831.
For Details Nos. 5 to 13 see Drawing No. 8832.

SPECIFICATION No. D.150.

4 No. 8 x 2 1/2" Rd. Hd. Wood Screws (Iron Blued) for fixing,
to be supplied, wrapped in paper and tied to Telephone.

DRAWINGS QUOTED.		DRAWING No. 8830	
OFFICE OF ENGINEER-IN-CHIEF, G.P.O.			
Drawn by	Traced by	Reference	Date
8831	8831	Teles. 712/20	3 4 29
8832	8832		
Approved by <i>M</i> in Design Section			
PHOTO PRINT NOT TO BE SCALED			
Letter	Particulars of Amendment	Initials	Date
A	100m. Vibration corrected & w. shown separately.		
B	Detail 9 Quantity was 4.		
C	Item M was Transmitter No. 2.		
D	Item P was Mouthpiece No. 4.		
Spec. No. D.150			



Schedule.

ITEM	DESCRIPTION	NUMBER REQD.	DES. No.
A	Hook, Receiver, F.	1	10015
B	Switch, Receiver No. 3.	1	9622
C	Plates, Connection No. 7.	10	10060
D	Coil, Induction No. 12.	1	10019
E	Lock, Screw No. 1C.	1	10059
F	Terminals No. 5. (Modified, Shank 3/4 long)	2	11,174
G	Guard, Bell Hammer.	1	10004
H	Plates, Connection No. 8.	4	10060
J	Bell Gongs No. 2 & 2A.	1 of each	10095
K	Bell No. 1A (unmounted).	1	10004
L	Plates, Connection No. 6.	6	10060
M	Generator No. 4C. (Telephone No. 11).	1	10,039
N	Transmitter No. 22.	1	60,188
P	Mouthpiece No. 16.	1	62,627
Q	Arm, Transmitter No. 1.	1	10005
R	Plate, Escutcheon No. 3 for Tele. No. 3. No. 2 - - - No. 11.	1	10092
S	Frame, Notice No. 1.	1	NT. 9904
T	Glass No. 3.	1	7437
U	Desk No. 4 (minus backboard)	1	7437
V	Plates, Connection No. 1.	2	10,000
W	Plate, Escutcheon, No. 7.	1	11,231
X	Washer Locking, No. 1210.	2	

John Hall
3-4-29.