

DRAWINGS QUOTED.		DRAWING No. 8831C	
OFFICE OF ENGINEER-IN-CHIEF, G.P.O.		Reference Date.	
Drawn by J. H. J.	Traced by J. H. J.	Teles. 712/20	3-4-29.
Checked by M. J.		Approved by M. J. in Design Section	
PHOTO PRINT NOT TO BE SCALED			
Letter	Particulars of Amendment	Initials	Date
A	Detail 11, Holes 5, 2 altered to 1/8" dia. & position changed.	M. J.	7/1/29
B	Position of Slot in Det. 2 for clearing Det. 3 altered.	M. J.	7/1/29
C	Detail 3: Quantity was 4.	M. J.	7/1/29

TELEPHONES Nos. 3 & 11. (MARK 238).

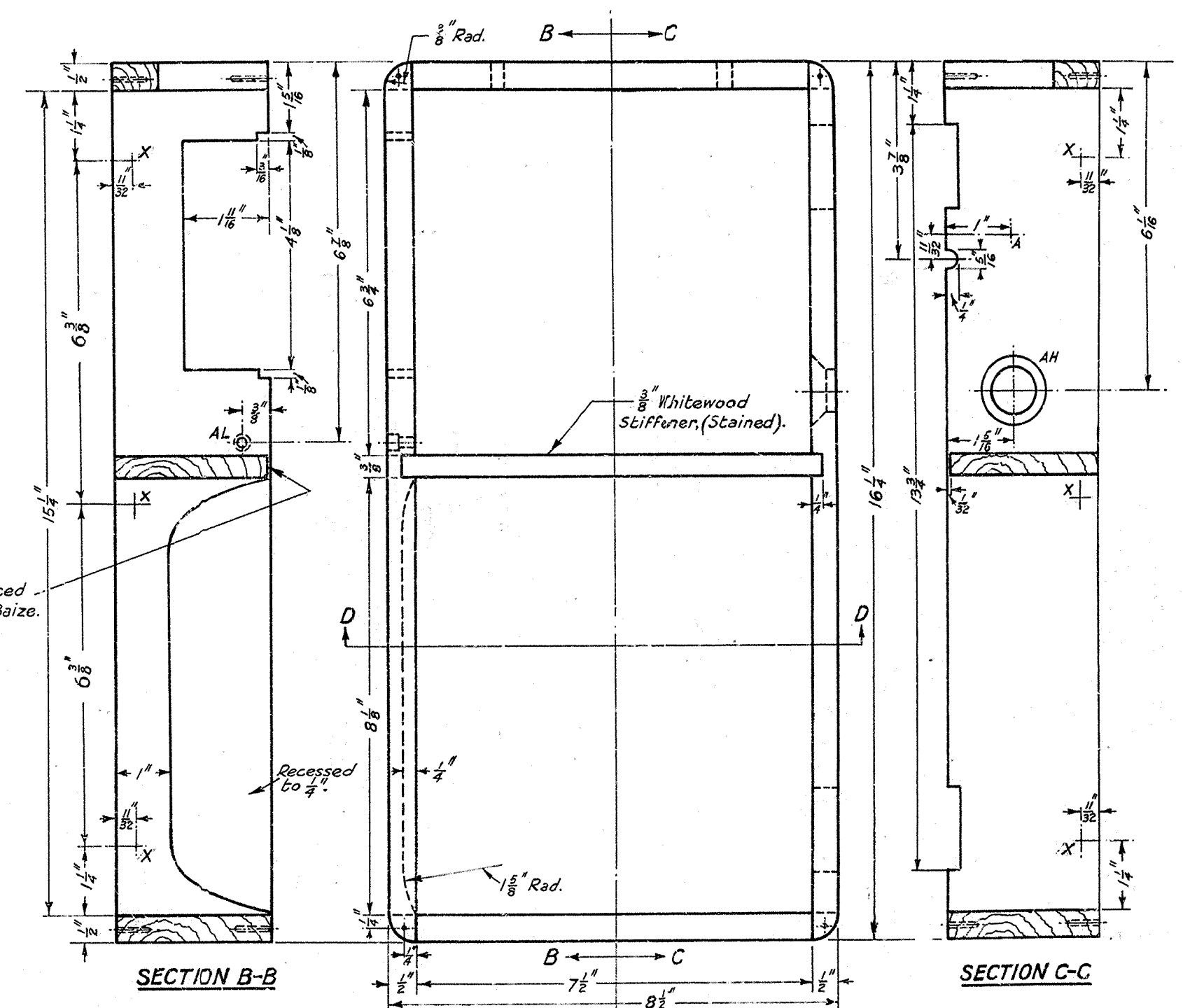
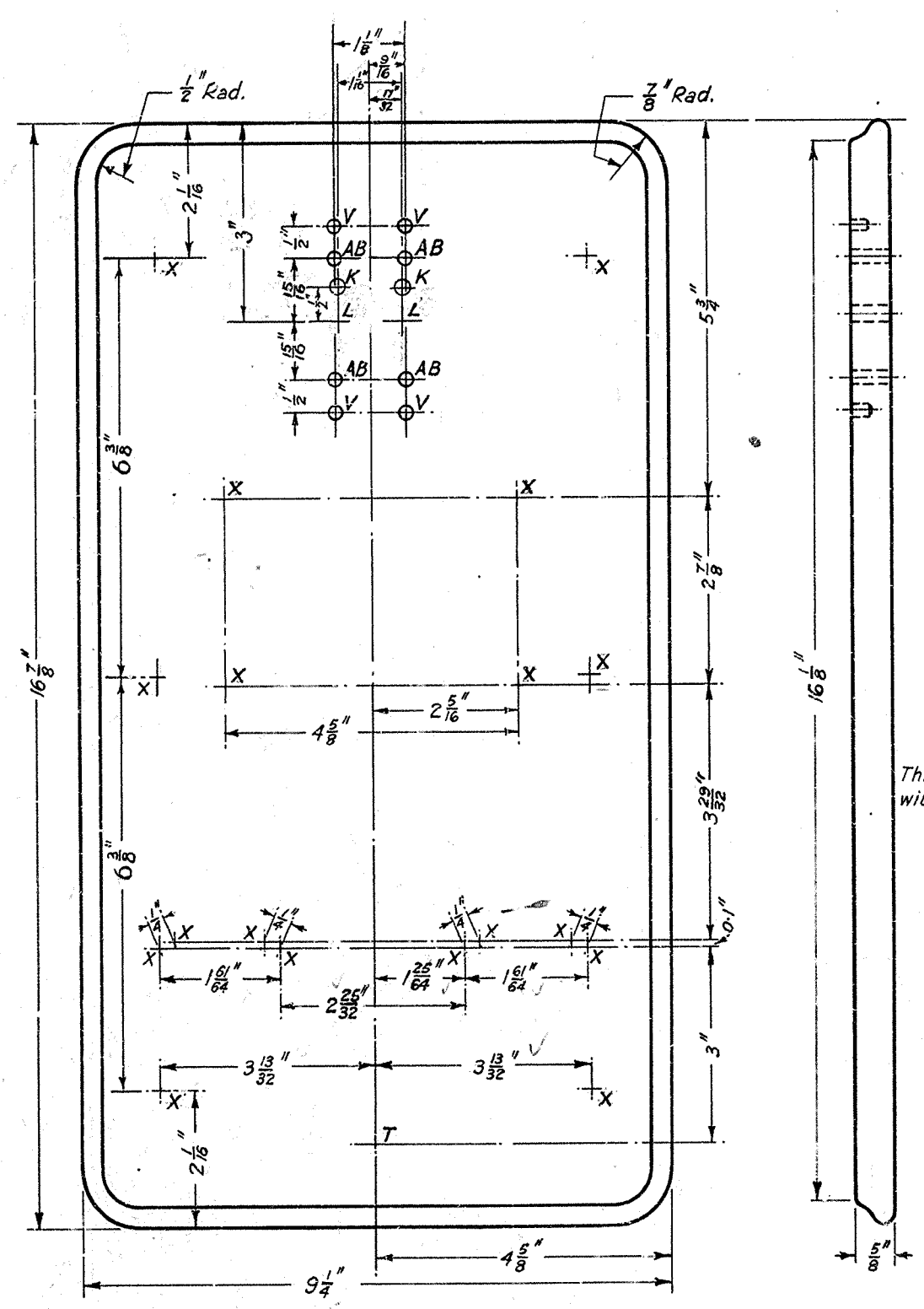
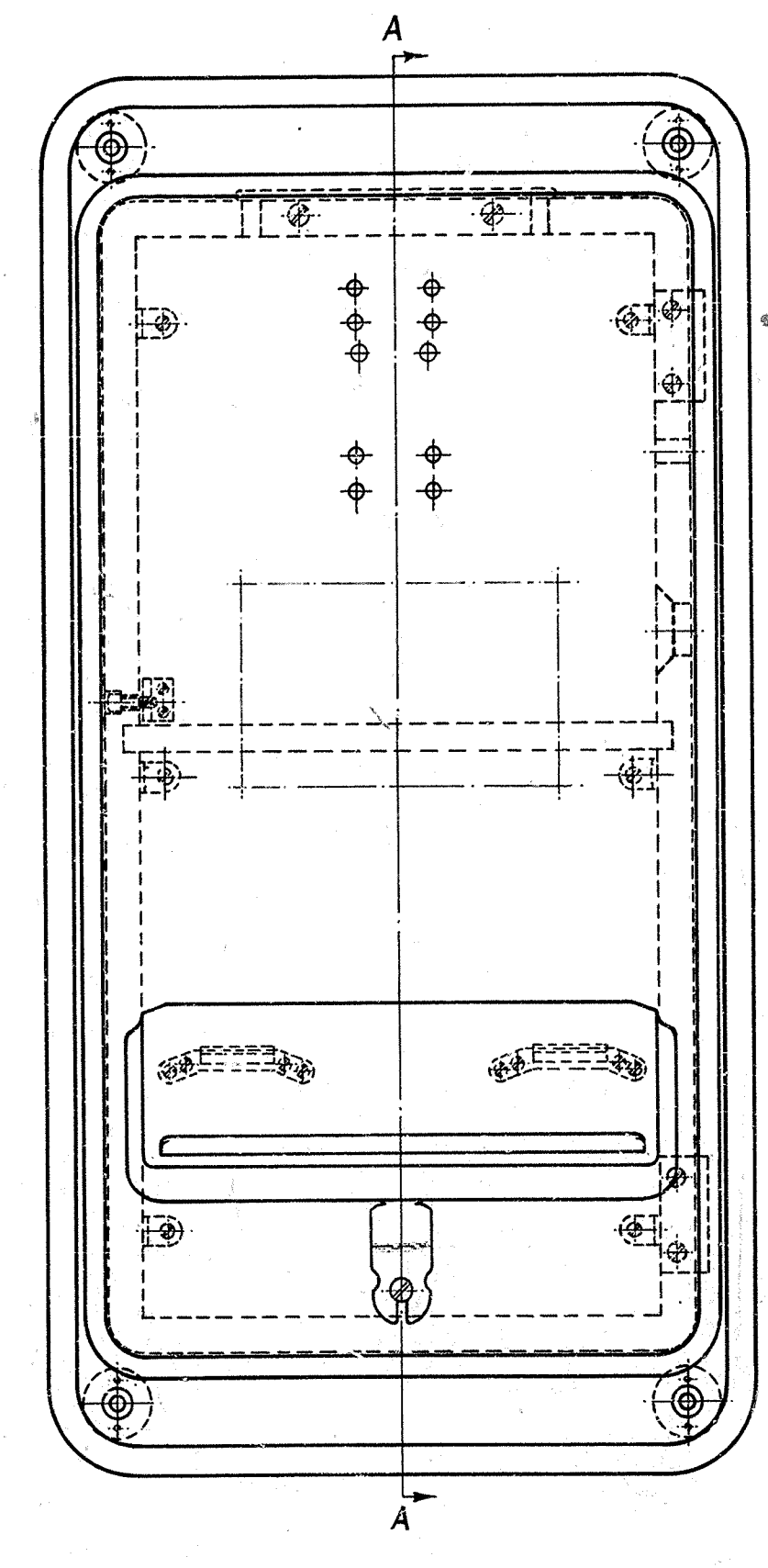
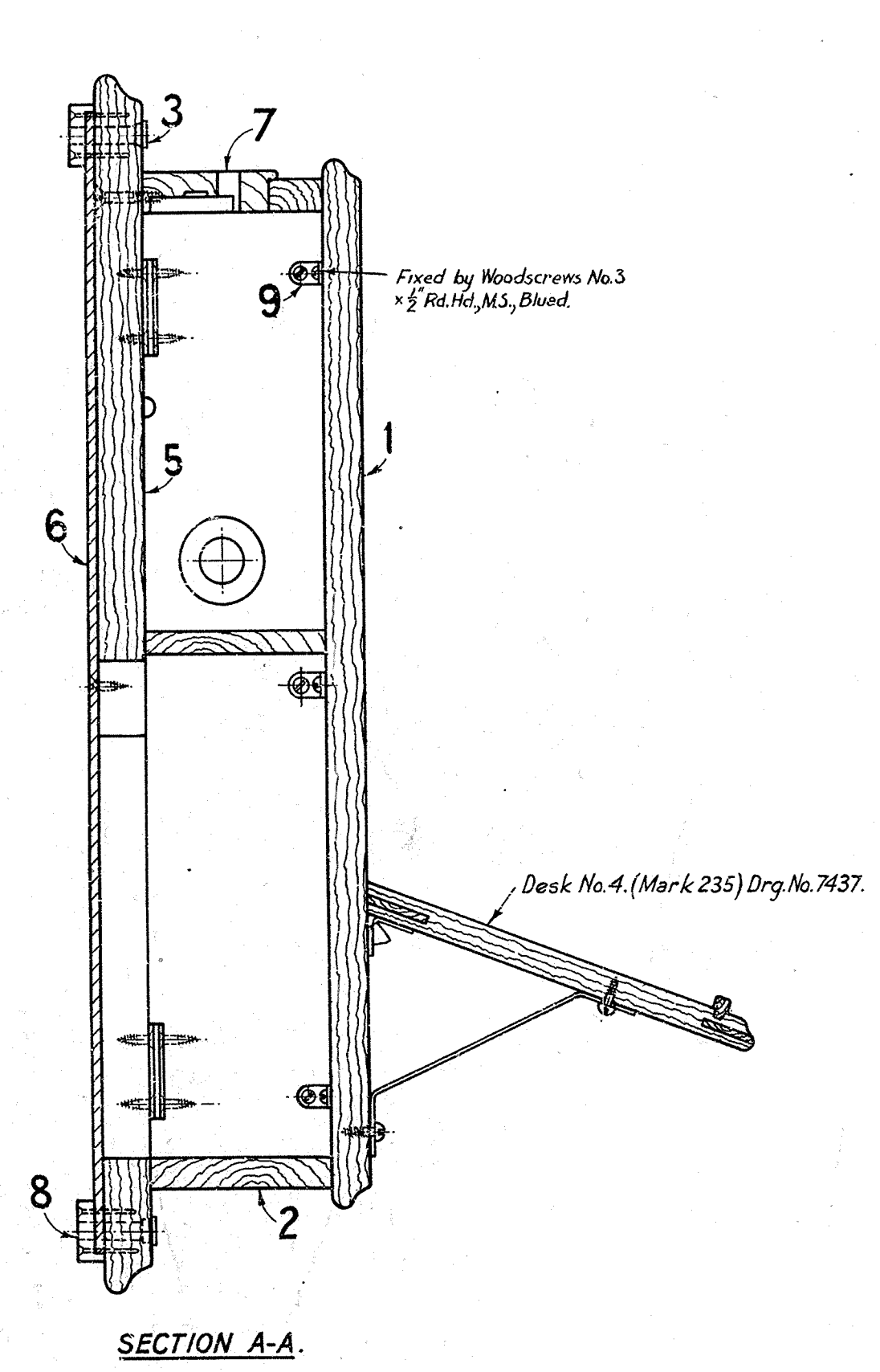
Note:- A Telephone No. 11 is a Telephone No. 3 fitted with a Gen. No. 4C.

DETAILS Nos. 1 TO 4.

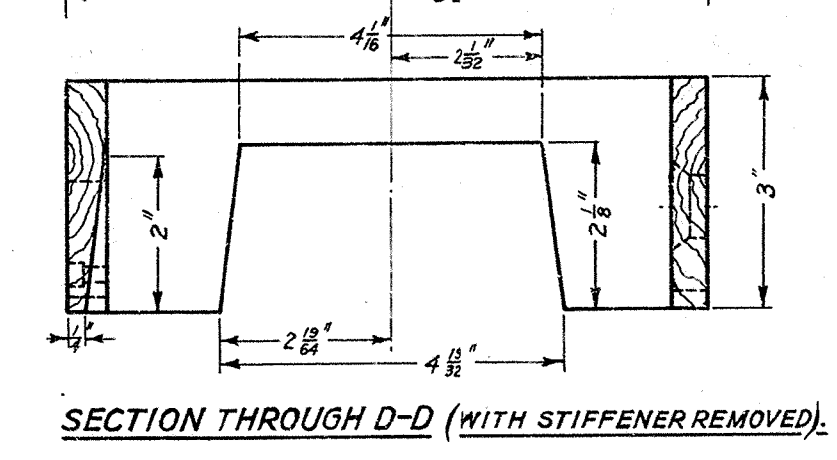
Scale:- 1/2" except where otherwise stated.

For Assembly see Drawing No. 8830.
For Details Nos. 5 to 13 see Drawing No. 8832.

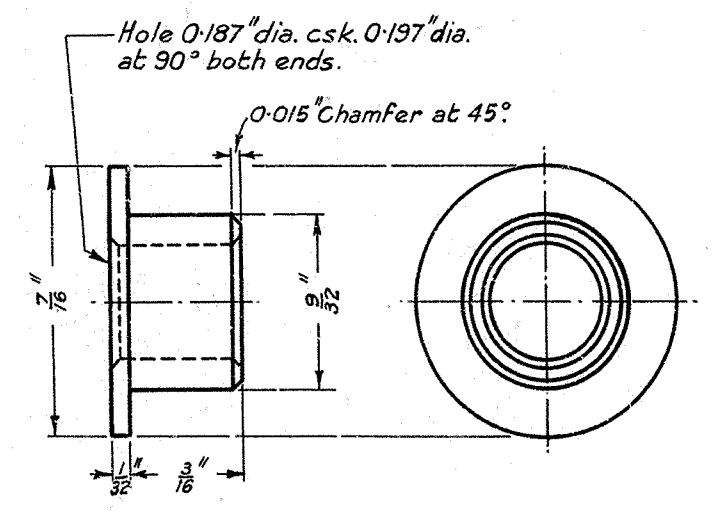
SPECIFICATION No. D.150.



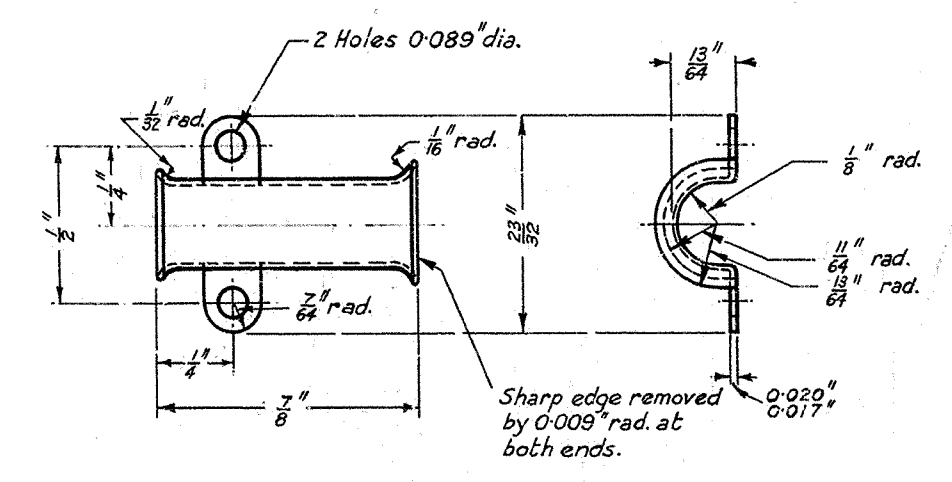
Corners combed and pinned.



CASE ASSEMBLY (WITH FITTINGS).



3. 4 OFF. Material:- Hard Brass.
Finish:- Copper Oxidised & Lacquered.
Scale:- 7/8"



4. Material:- Soft Brass, No. 26 S.W.G. (approx).
Finish:- Ni. P. Matt.
Scale:- 7/8"

1. FRONT.

Material & Finish:- See Specification.

Location	Marking off for Screws etc.
L	Centre for No. 5 Wood Screw.
T	Centre for No. 8 Wood Screw.
V	0.193" dia. 1/4" deep.
K	0.250" dia.
X	Centre for No. 3 Wood Screw.
AB	0.193" dia.
AH	1/8" dia. csk. 1/8" dia. at 60°
A	Centre for No. 4 Wood Screw.
AL	1/4" dia. cbd. 3/8" dia. 1/8" deep.

2. BODY FRAME.

Material & Finish:- See Specification.

J. H. J.
3. 4. 29.