

TELEPHONES Nos. 3 & 11. (MARK 238).

Note:- A Telephone No. 11 is a Telephone No. 3 fitted with a Gen. No. 4C.

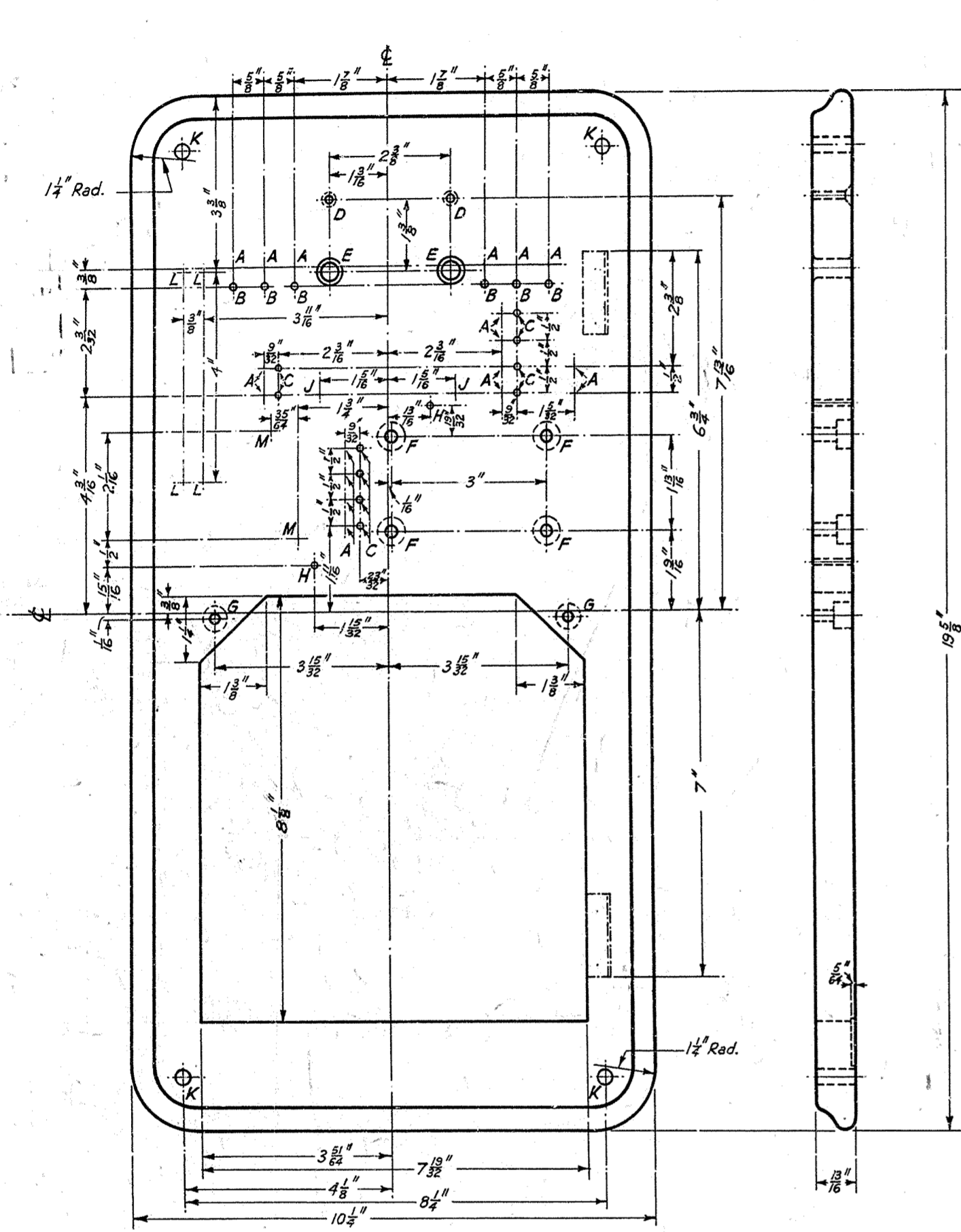
DETAILS Nos. 5 TO 13.

Scale:- $\frac{1}{2}$ except where otherwise stated.

For Assembly see Drawing No. 8830.
For Details Nos. 1 to 4 see Drawing No. 8831.

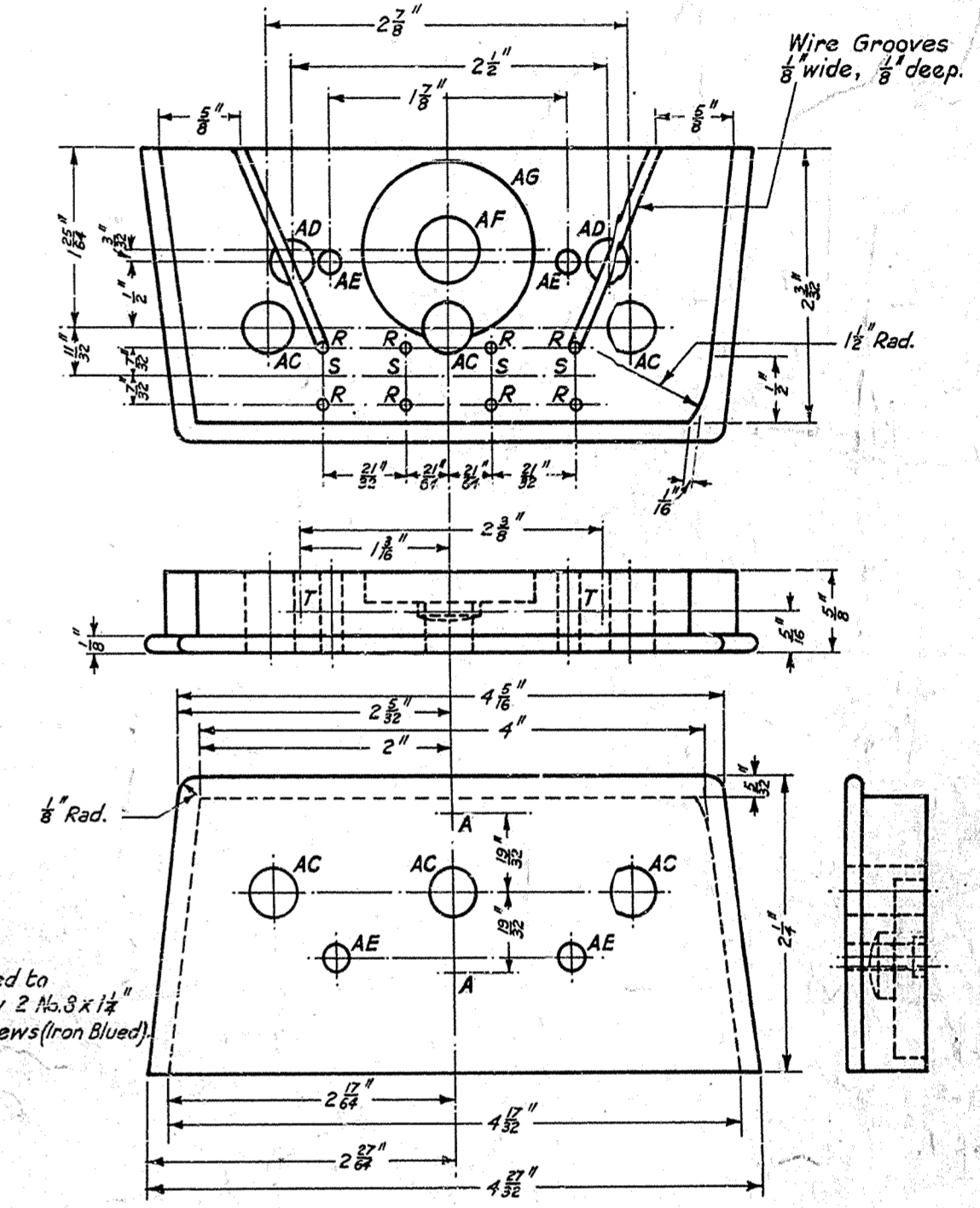
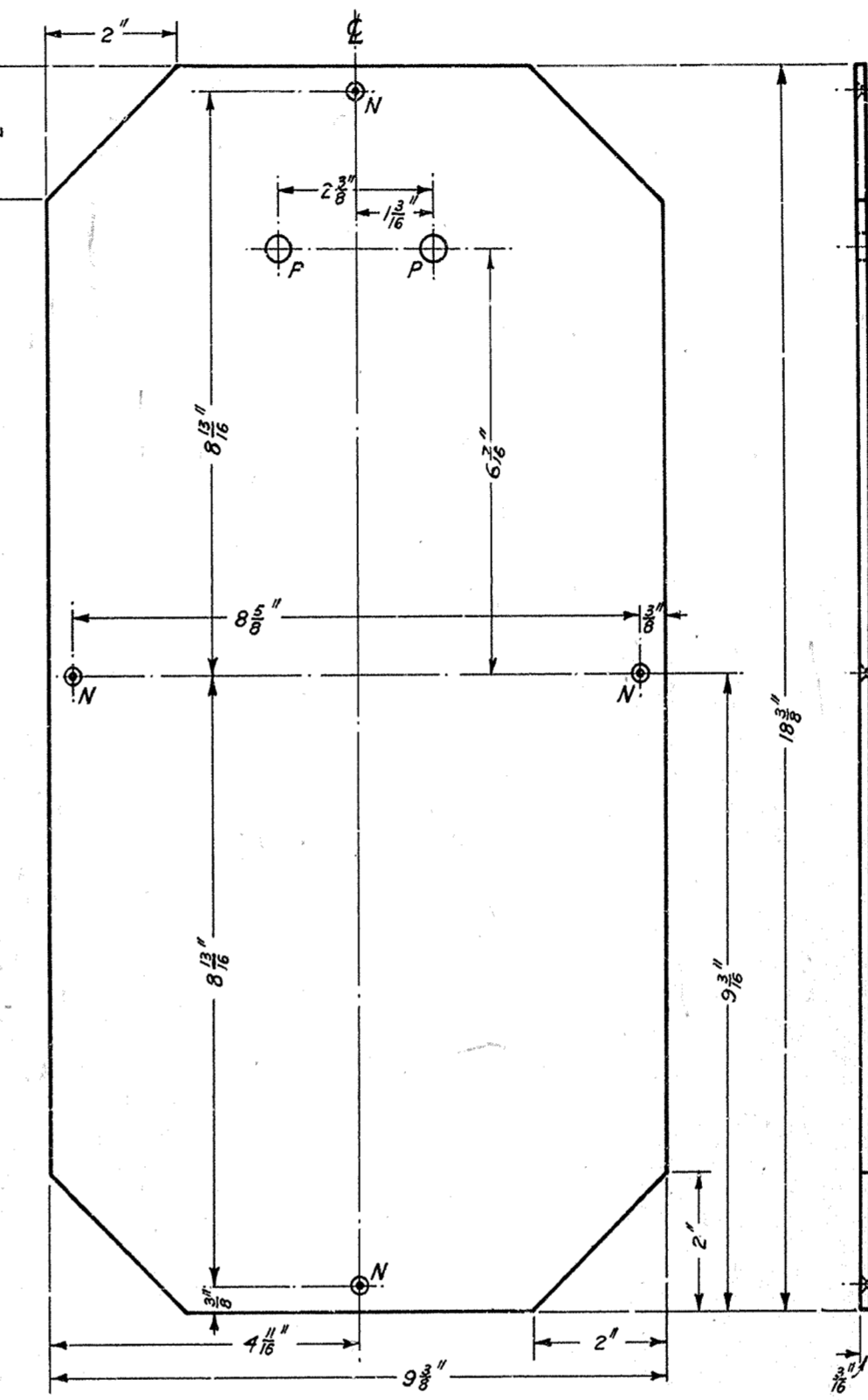
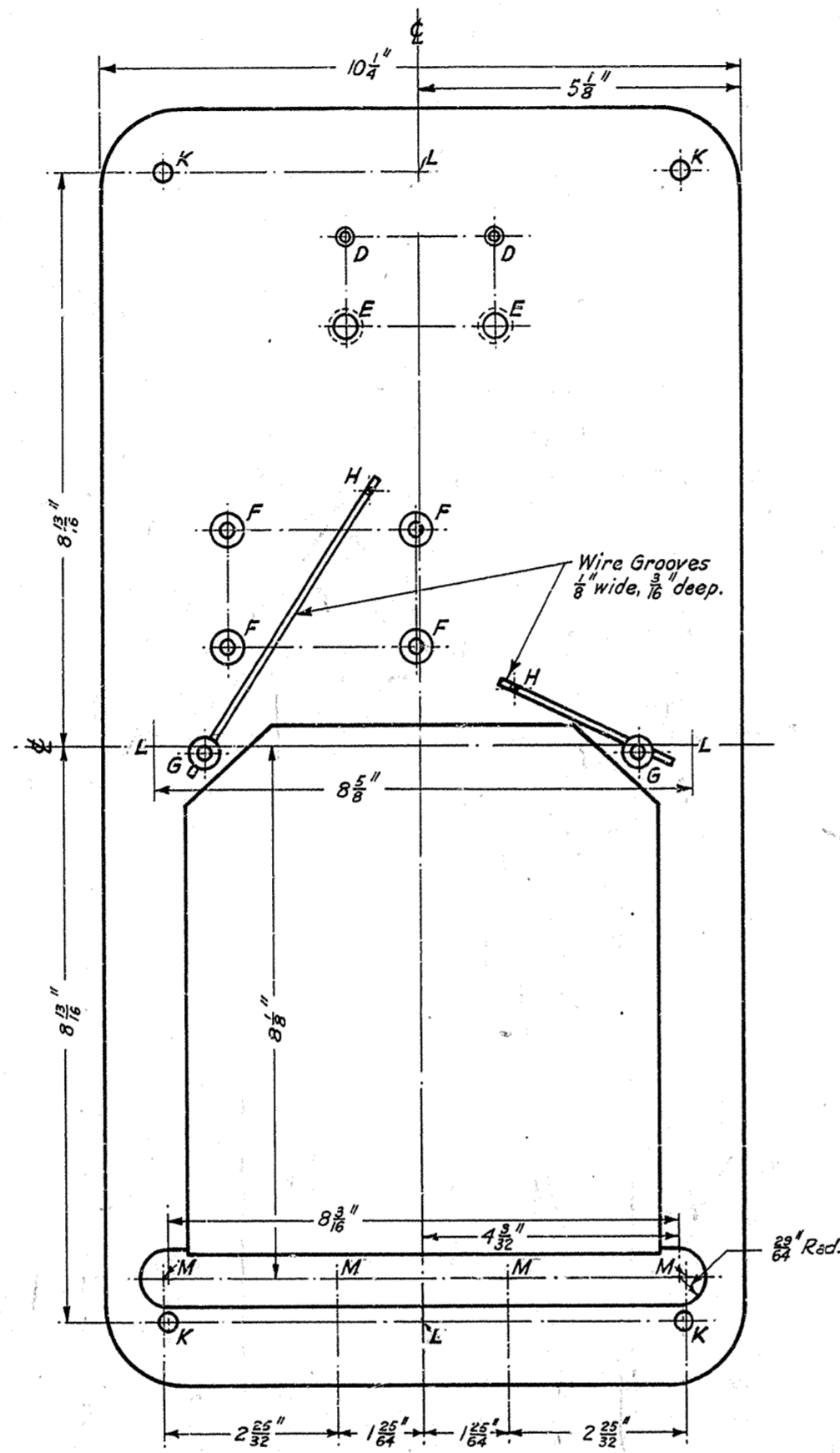
SPECIFICATION No. D.150.

DRAWINGS QUOTED.	DRAWING No. 8832	
OFFICE OF ENGINEER-IN-CHIEF, G.P.O.	Reference	Date.
Drawn by	7/12/20	3. 4. 29.
Traced by		
Checked by		
Approved by	in Section	
PHOTO PRINT NOT TO BE SCALED.		
Letter	Particulars of Amendment	Initials
A	Holes "H" were 0.212 dia.	
B	Det. 8 - Position of Drillings for Det. 4 altered.	
C	Detail 9: Quantity was 4.	



5. BACK BOARD OF CASE.

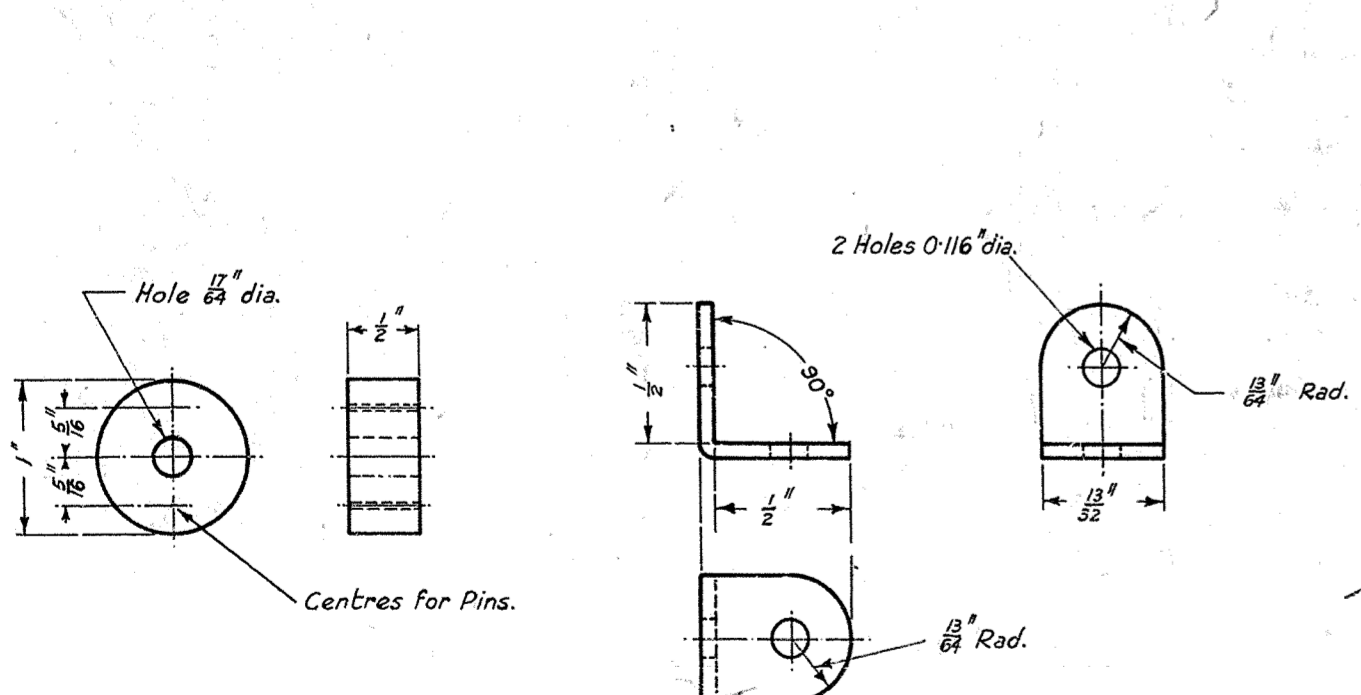
Material & Finish:- See Specification.



7. SHELF FOR BELL.

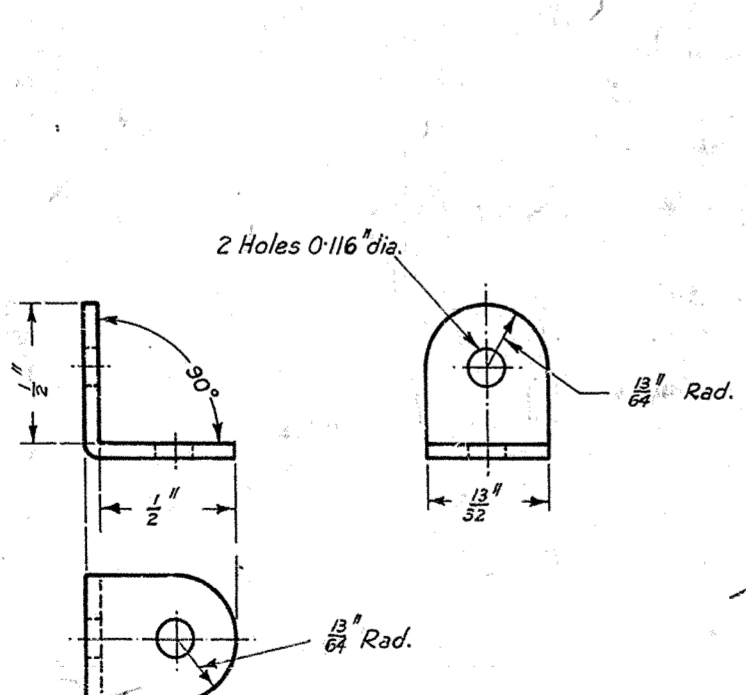
Material & Finish:- See Specification.

Scale:- $\frac{1}{2}$.



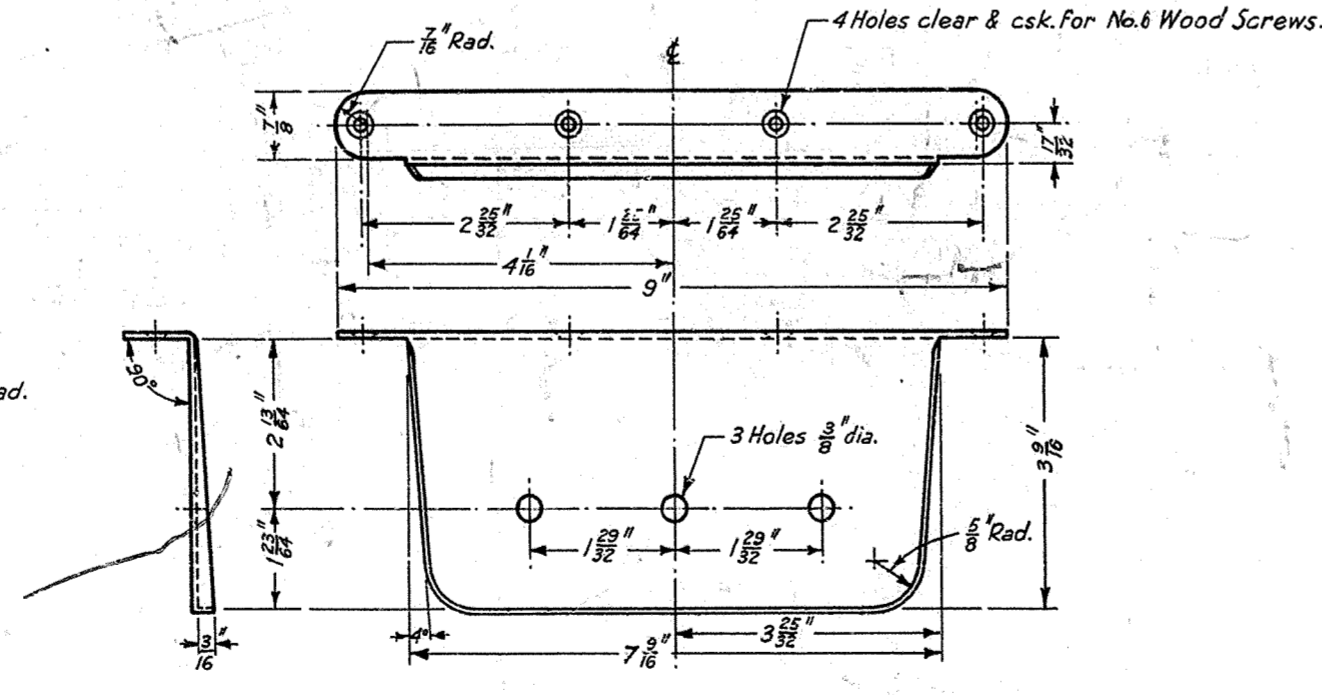
8. 4 OFF. Material:- See Specification.

Scale:- $\frac{1}{2}$.



9. 6 OFF. Material:- Mild Steel. No. 20 B.G.

Finish:- Stove Enamel, Black.
Scale:- $\frac{1}{2}$.



10. BATTERY SHELF. Material:- Mild Steel. No. 16 B.G.

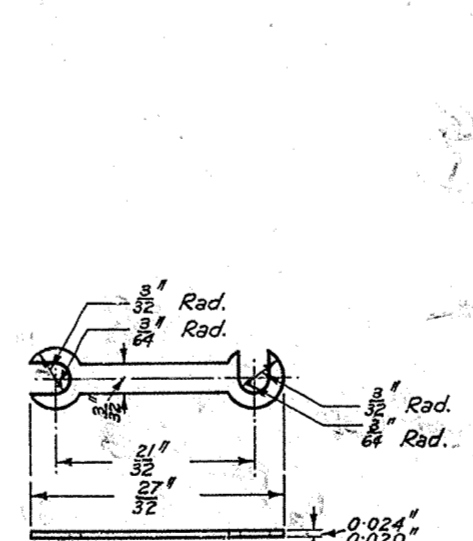
Finish:- Anti Sulphuric Enamel, Black.

11. 2 OFF. Material:- Hard Brass No. 24 S.W.G.

Finish:- Ni. P. Matt.
Scale:- $\frac{1}{2}$.

6. BLIND BACK.

3 PLY-WOOD $\frac{3}{16}$ Thick.



Location	Marking off for Screws etc.
A	Centre for No. 4 Wood Screw.
B	5/16" dia. 1/8" deep.
C	1/8" dia. 1/16" deep.
D	Clear & csk. for No. 8 Wood Screw on back.
E	3/8" dia. rounded on front face.
F	1/4" dia. cbd. 1/8" dia. 1/8" deep.
G	1/8" dia. cbd. 1/8" dia. 1/8" deep.
H	0.125" dia.
J	Centre for Eyes, Screw No. 4.
K	1/4" dia.
L	Centre for No. 5 Wood Screw.
M	Centre for No. 6 Wood Screw.
N	Clear & csk. for No. 5 Wood Screw.
P	1/8" dia.
R	1/8" dia. 1/8" deep.
S	Centre for No. 2 Wood Screw.
T	Centre for No. 8 Wood Screw.
AC	1/8" dia.
AD	1/8" dia. 1/8" deep.
AE	1/8" dia.
AF	1/8" dia.
AG	1/8" dia. 1/4" deep.

12. Material:- Hard Brass. No. 17 S.W.G.

Finish:- Ni. P. Matt.
Scale:- $\frac{1}{2}$.

13. Material:- Black Fibre. 0.032" Thick.

Scale:- $\frac{1}{2}$.

Wm. Hall
3. 4. 29.