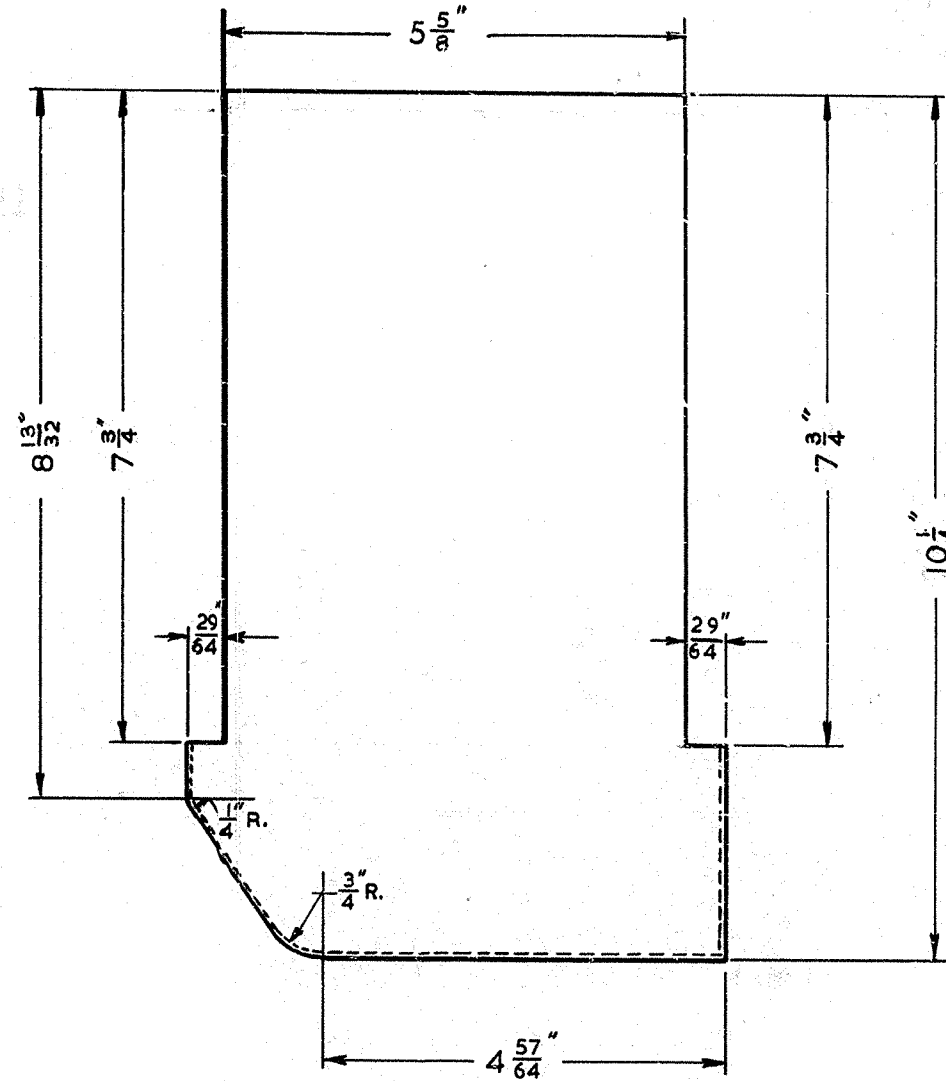
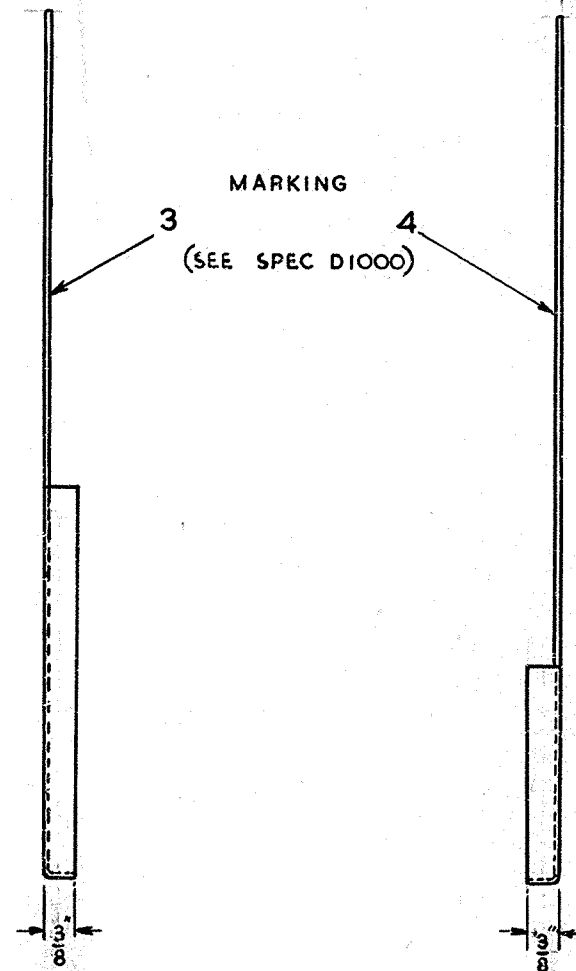


SHELF No. 3.

MATERIAL: }  
FINISH: } SEE SPEC.



SHELF No. 4.

MATERIAL: }  
FINISH: } SEE SPEC.

POST OFFICE ENGINEERING DEPT  
E-IN-C'S OFFICE S BRANCH

DISTRIBUTION  
RESTRICTED

REFERENCES	
P.O.	SPEC D 1000

ASSEMBLY DRG.	WIRING DGM.
FILE 5 811/8.	SPEC. D 1475
SCALE: - 1 AND AS 2 INDICATED	THIRD ANGLE PROJECTION

FRACTIONAL DIMS. NOT TOLERANCED  
SUBJECT TO ± 64

APP'D IN 51/3 SECTION	DRN. <i>[Signature]</i>
<i>[Signature]</i>	TCD. <i>[Signature]</i>
<i>[Signature]</i>	CKD. <i>[Signature]</i>
	DATE 3.2.51

AMENDMENT	SUFFIX
-----------	--------

FORMERLY SHEWN ON  
DRG. 63747 SHEET 3-3

MATL. & FINISH WERE SHEWN.	A
<i>[Signature]</i> 28-2-52	

SHELF No. 3. DIM. 10 1/4" WAS 9 5/8"	B
" 5 5/8" " 5 5/8"	
" 6 3/4" " 6 3/4"	
" 7 3/4" " 7 3/4"	
SHELF No. 4. DIM. 10 1/4" WAS 9 5/8"	B
" 8 13/32" " 8 13/32"	
" 7 3/4" " 7 3/4"	
" 8 13/32" " 8 13/32"	
FLANGE ON REAR END OF EACH SHELF DELETED.	
W.P. <i>[Signature]</i> 31-7-53	

FOR SUPERSED

SHELF  
No's 3 & 4

TRIM TO THESE LINES 13 X 24"