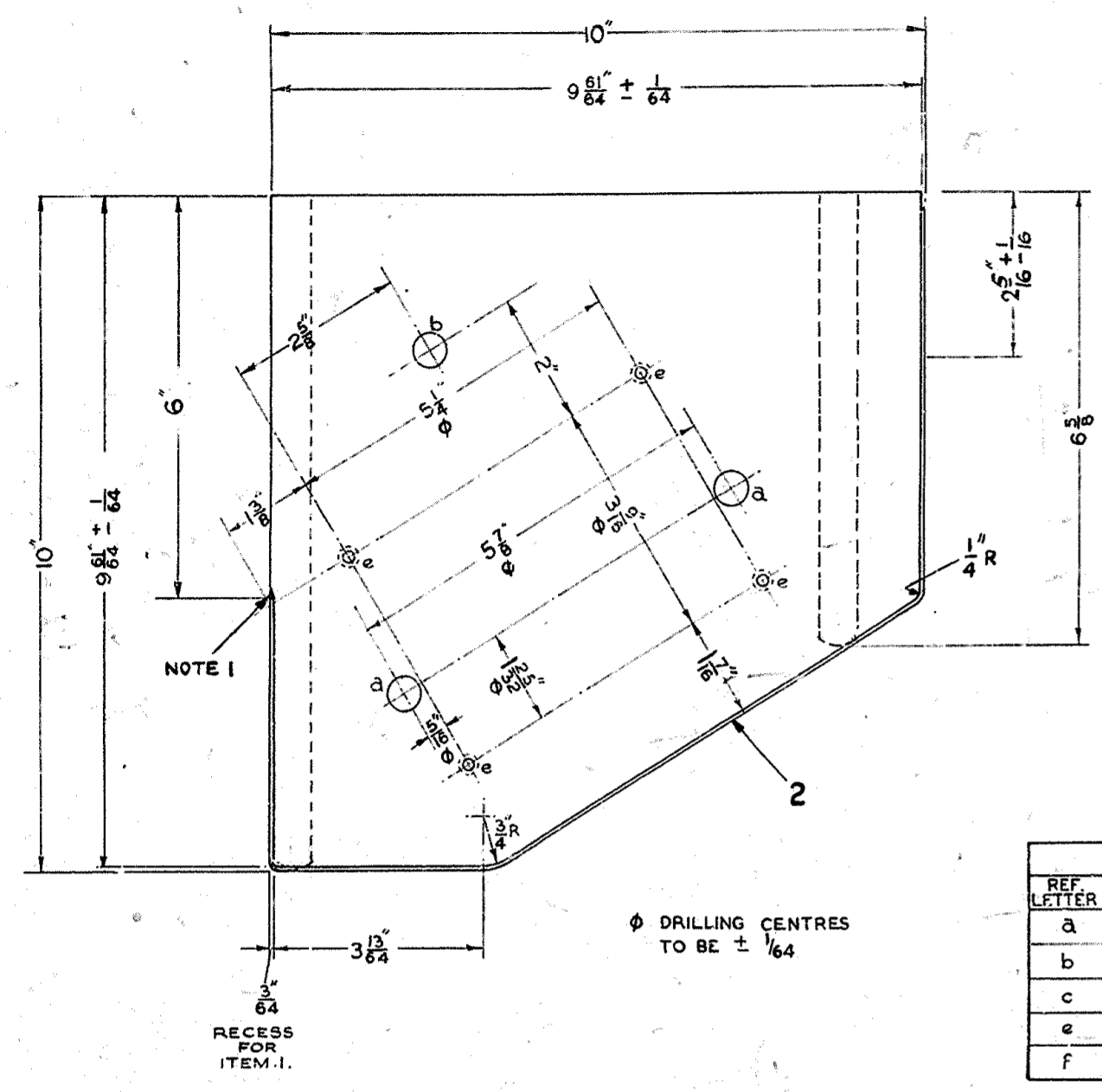


DRG 90077

POST OFFICE TELECOMMUNICATIONS	
HEADQUARTERS	
DISTRIBUTION	
RESTRICTED	
REFERENCES	
SEE SCHED.	SPEC. D1000
	SPEC. M288
ASSEMBLY DRG.	WIRING DGM.
FILE SB11/8	SPEC. D1475
SCALE - 1 AND AS THIRD ANGLE PROJECTION	
FRACTIONAL DIMS. NOT TOLERANCED SUBJECT TO 1/32"	
APP'D INTD. SECTION	DRN. <i>W.D.</i>
<i>E. Marshall</i>	TCD. IMP. <i>R.</i>
	CMD. <i>R.</i>
	DATE 9.2.74
AMENDMENT	
FORMERLY SHOWN ON DRG 60577 SH. 3-3	SUFFIX
CONTAINER No. 1 DIM. 5 1/2" x 7 1/4" x 10" WAS INCORRECTLY SHOWN DIM. 10" ADDED.	A
CONTAINER No. 2 DIM. 6" x 8" x 10" WAS INCORRECTLY SHOWN DIM. 8" x 10" ADDED.	B
CONTAINER No. 1 DIM. 5 1/2" x 7 1/4" x 10" WAS INCORRECTLY SHOWN DIM. 10" ADDED. GENERAL LIMIT WAS ± 1/64" EDGE OF END MEMBERS DIMENSIONED.	C
CONTAINER No. 182 NOTE RE-RUNOUT ADDED.	
GENERAL LIMIT WAS ± 1/64" EDGE OF END MEMBERS DIMENSIONED.	
UPDATED. ITEM 1 DELETED. NOTE 2 ADDED.	
<i>W.D.</i>	9.1.74

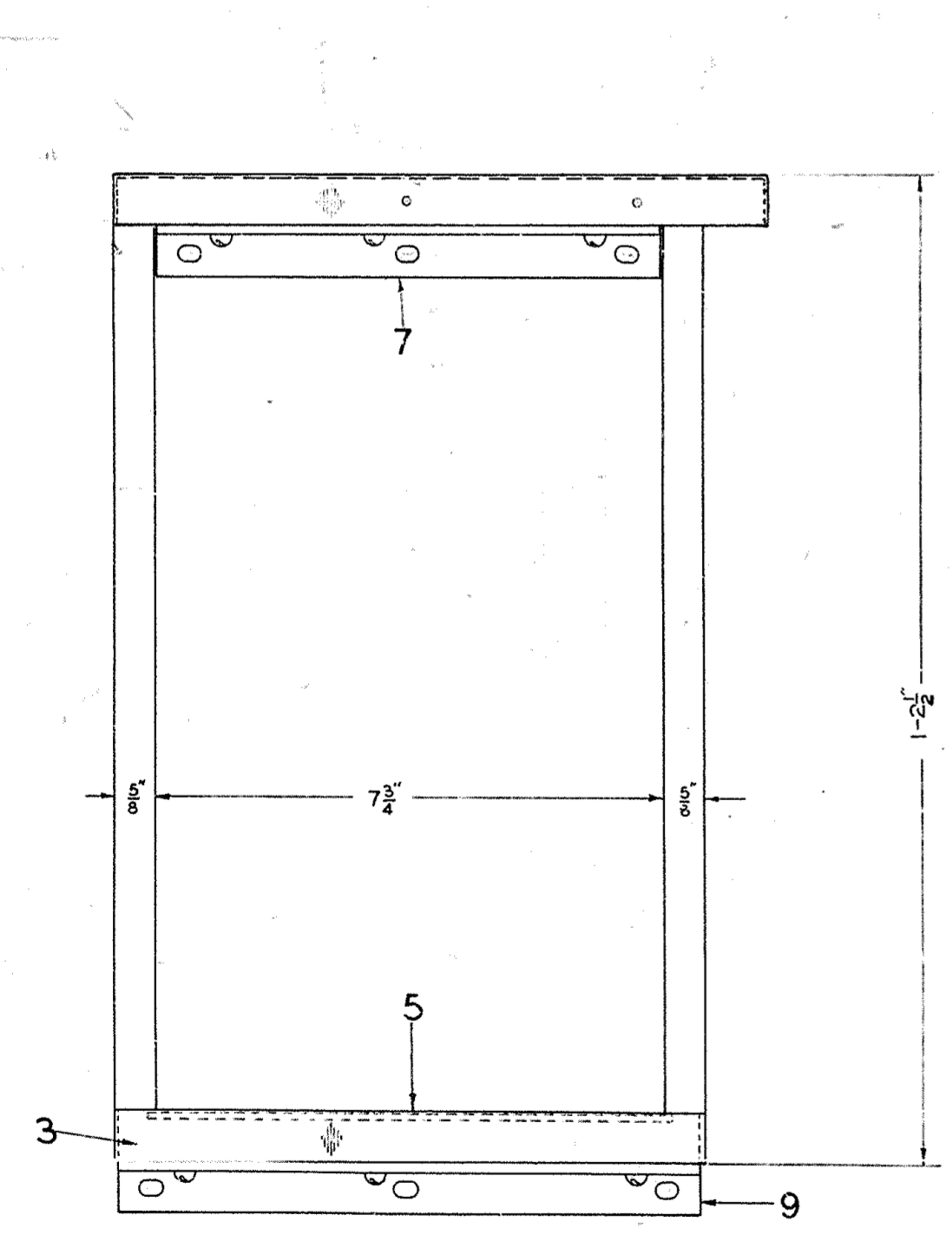
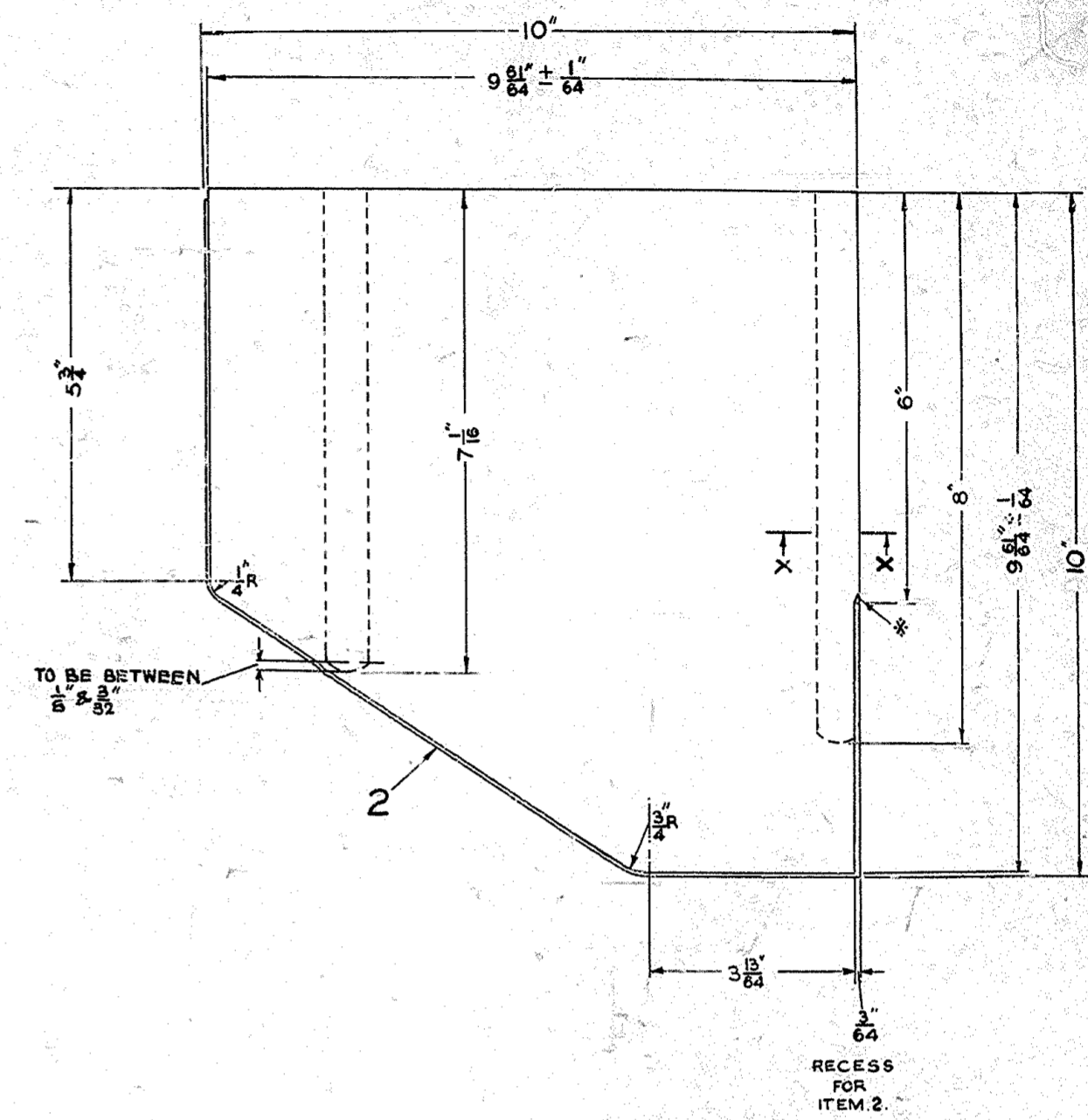
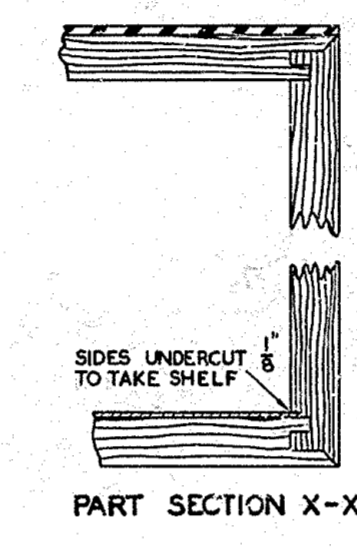


COMPONENTS				SCREWS, ETC.						
ITEM	DESCRIPTION	DRG	SPEC.	No. OFF No.1	No. OFF No.2	DESCRIPTION	MTL.	FINISH	No. OFF No.1	No. OFF No.2
2	No.2	"	"	1	1	WD. SC. No. 5 x 3/8 CSK. HD.	SS.	POLISHED	2	2
3	No.3	"	"	1	1	BRAD. 1/2 x 3/4	"	"	2	2
4	No.4	"	"	1	1	WD. SC. No. 5 x 3/8 CSK. HD.	"	"	2	2
5	SHELF No.1	90073	"	1	1	BRAD. 1/2 x 3/4	"	"	2	2
6	No.2	"	"	1	1	WD. SC. No. 6 x 3/8 RD. HD.	MS.	BLK. LAC.	3	3
7	DETAIL 1	90077	"	1	1	"	"	"	4	4
8	2	"	"	1	1	"	"	"	3	3
9	3	"	"	1	1	"	"	"	3	3
10	4	"	"	1	1	"	"	"	4	4

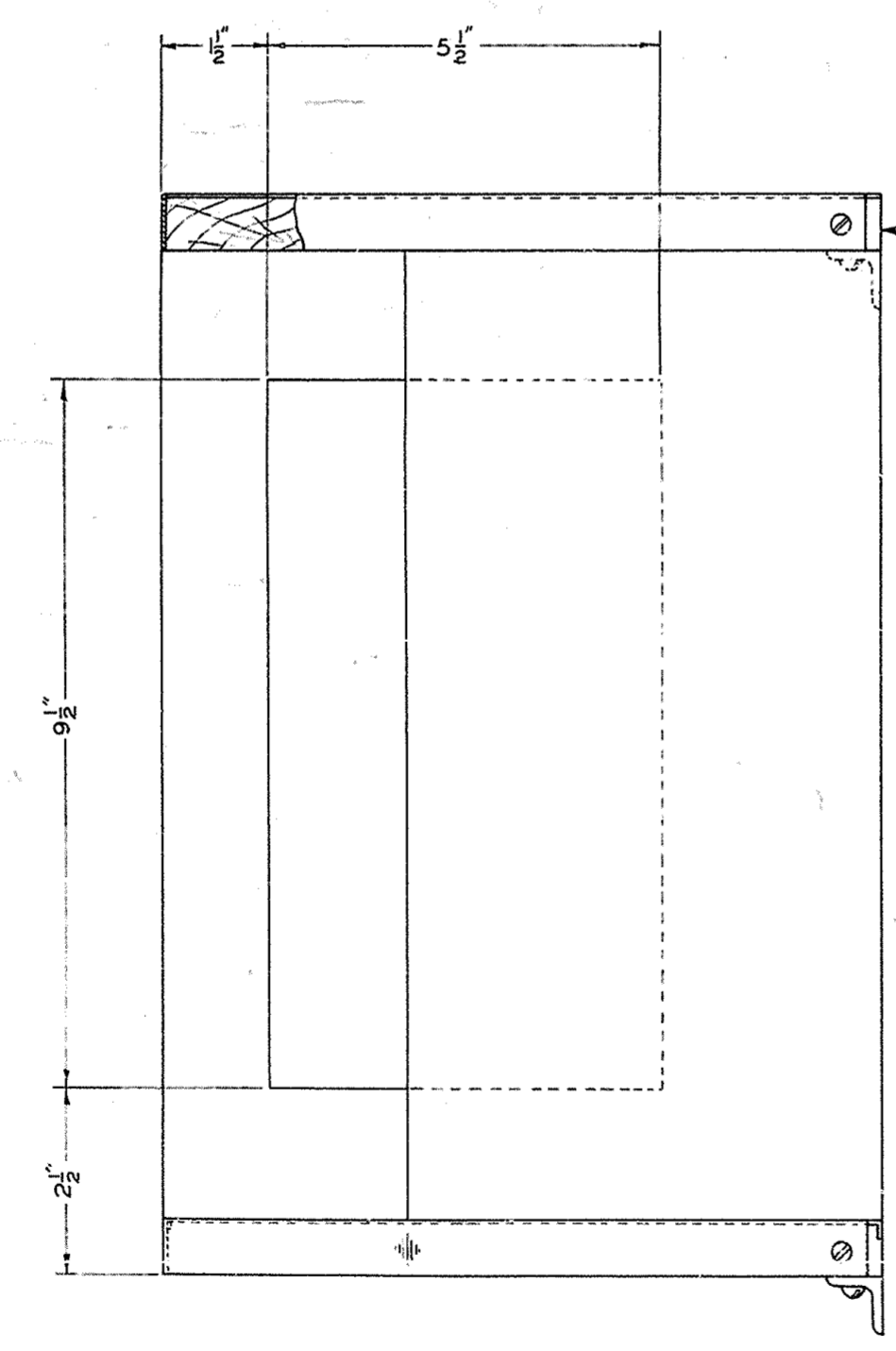
REF. LETTER	DRILLING
a	5/16" D
b	5/16" D EDGES WELL ROUNDED.
c	21/64" D & ELONGATED 1/16"
e	5/16" D & CER. 3/8" Dx 3/8" DEEP ON UNDERSIDE
f	CL. FOR No. 6 WD. SC.

MATERIAL - SEE SPEC. FINISH -

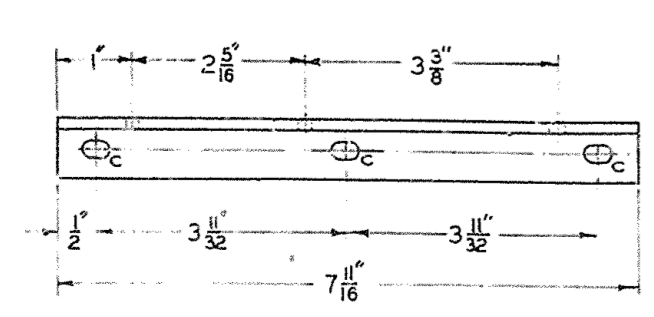
- NOTES :-
- CORNER OF CUT OUT MAY BE MADE SQUARE OR 1/8" RUNOUT TO SUIT MANUFACTURING METHOD OF CONTRACTOR.
  - MATERIAL FOR SHELVES AND SIDES AS SHOWN IN SPEC D1475



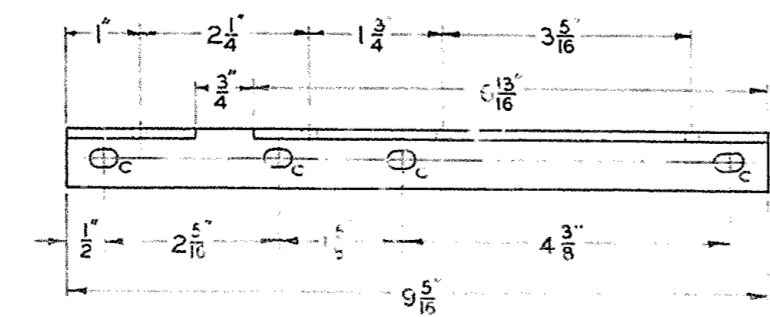
CONTAINER No.1.



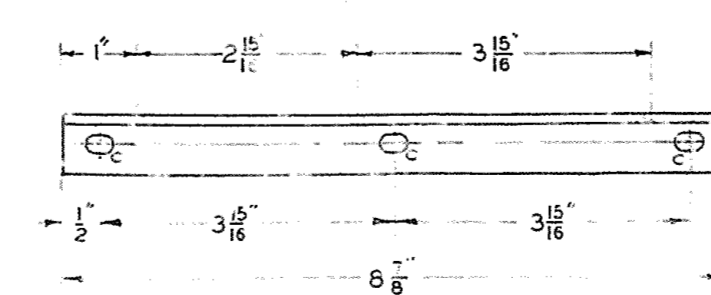
CONTAINER No.2.



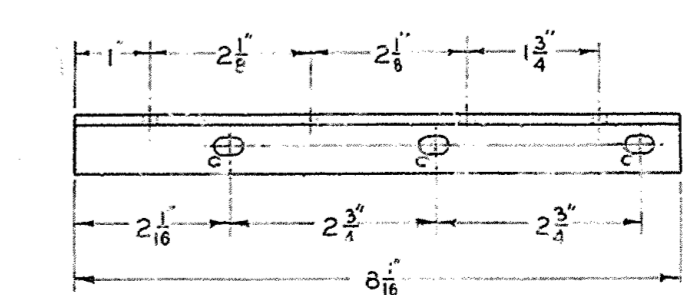
1 MATERIAL - ANGLE MS. 3/4 x 3/8 x 1/4. FINISH - PARKERIZED & STOVE ENAMELLED BLACK, 2 COATS TO SPEC. M288



2 MATERIAL - AS DETAIL 1. FINISH -



3 MATERIAL - AS DETAIL 1. FINISH -



4 MATERIAL - AS DETAIL 1. FINISH -

DO NOT SCALE (A MICROFILM PROCESS PRINT)

CONTAINERS, Nos. 1 & 2