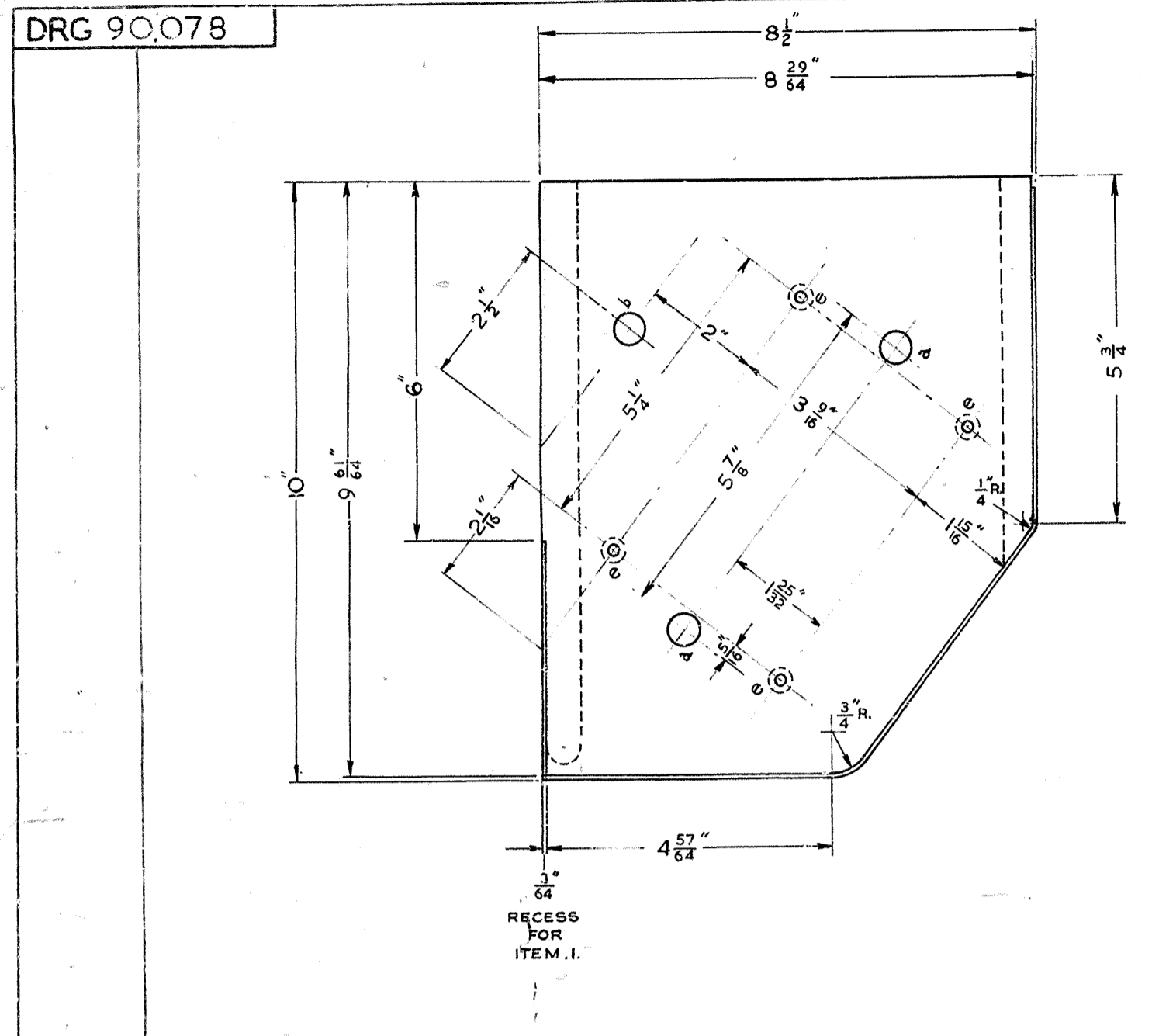


POST OFFICE ENGINEERING DEPT.
E-IN-C'S OFFICE S BRANCH
No. RESTRICTED.
REFERENCES
SEE SCHED. SPEC D1000
ASSEMBLY DRG. WIRING DGM.
FILE SB11/8 SPEC. D 1475
SCALE - 1 AND AS THIRD ANGLE PROJECTION
SCALE - 2 INDICATED
FRACTIONAL DIMS. NOT TOLERANCED
SUBJECT TO 1-64
APP'D IN 51/3 SECTION DRN. *W. J. ...*
Chambers TCD. *W. J. ...*
CHKD. *W. J. ...*
DATE 3.2.51
AMENDMENT SUFIX
FORMALLY SHOWN ON
DRG. 63747 SHEET 3-3
CONTAINER No. 3 DIM. 10" x 8" x 4" ADDED.
CONTAINER No. 4 DIM. 10" x 8" x 4" ADDED.
W. J. ... 31-7-53

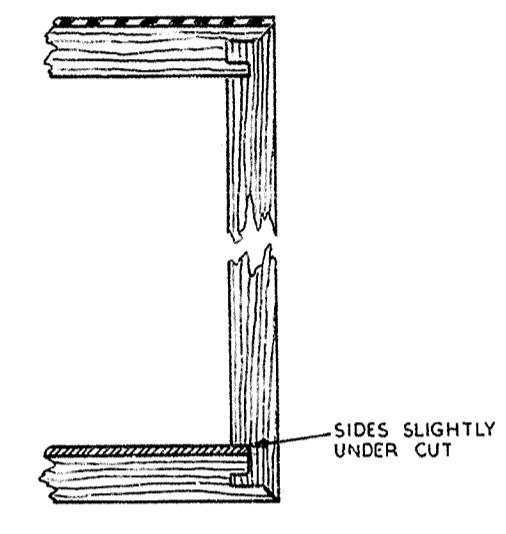
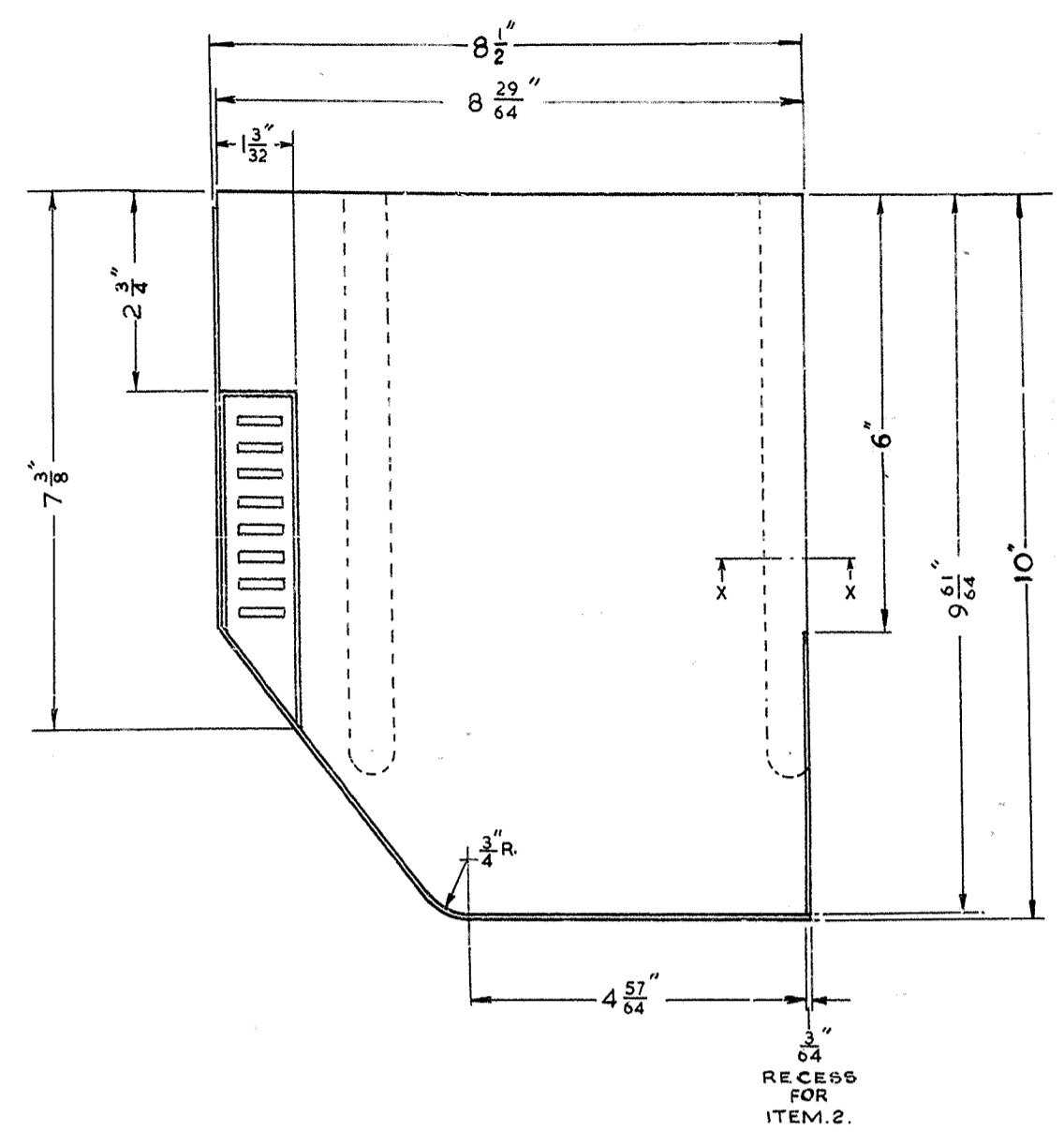
TRIM TO THESE LINES 26" x 39"



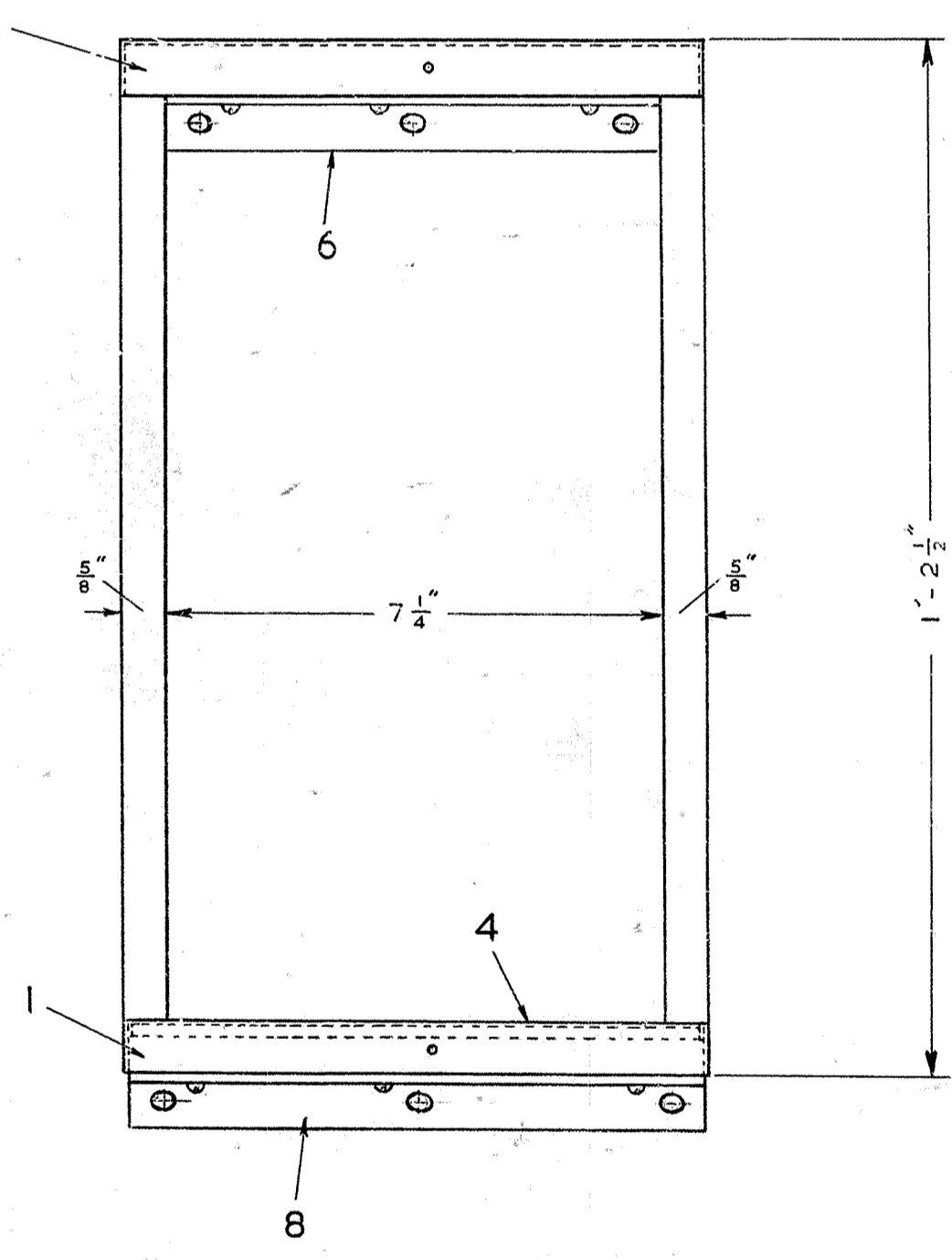
COMPONENTS				SCREWS ETC.						
ITEM	DESCRIPTION	DRG.	SPEC	No. OFF No. 3	No. OFF No. 4	DESCRIPTION	MT. L.	FINISH	No. OFF No. 3	No. OFF No. 4
1	STRIP No. 5.	90,075		2		WD. SC. No. 5 X 5/8 CSK. HD.	SS.	POLISHED	4	
2	STRIP No. 6.	90,075			1	BRAD 16 X 2 1/2	"	"	6	
						WD. SC. No. 5 X 5/8 CSK. HD.	"	"		2
						BRAD 16 X 2 1/2	"	"		3
3	STRIP No. 7.	90,075			1	WD. SC. No. 5 X 5/8 CSK. HD.	"	"	2	
						BRAD 16 X 2 1/2	"	"		4
4	SHELF No. 3.	90,076		1						
5	SHELF No. 4.	90,076		1						
6	DETAIL No. 1.	90,078		1		WD. SC. No. 6 X 5/8 RD. HD.	MS	BLK. LAC.	3	
7	" No. 2.	"		1		" " " " " " " "	"	"	3	
8	" No. 3.	"		1		" " " " " " " "	"	"	3	
9	" No. 4.	"		1		" " " " " " " "	"	"	3	

REF. LETTER	DRILLING
a	1/2" D.
b	1/4" D. EDGES WELL ROUNDED
c	2-1/8" D. & ELONGATED 1/16"
e	3/32" D. & CBR. 0.015" DEEP ON UNDERSIDE
f	1/4" FOR No. 6 WD. SC.

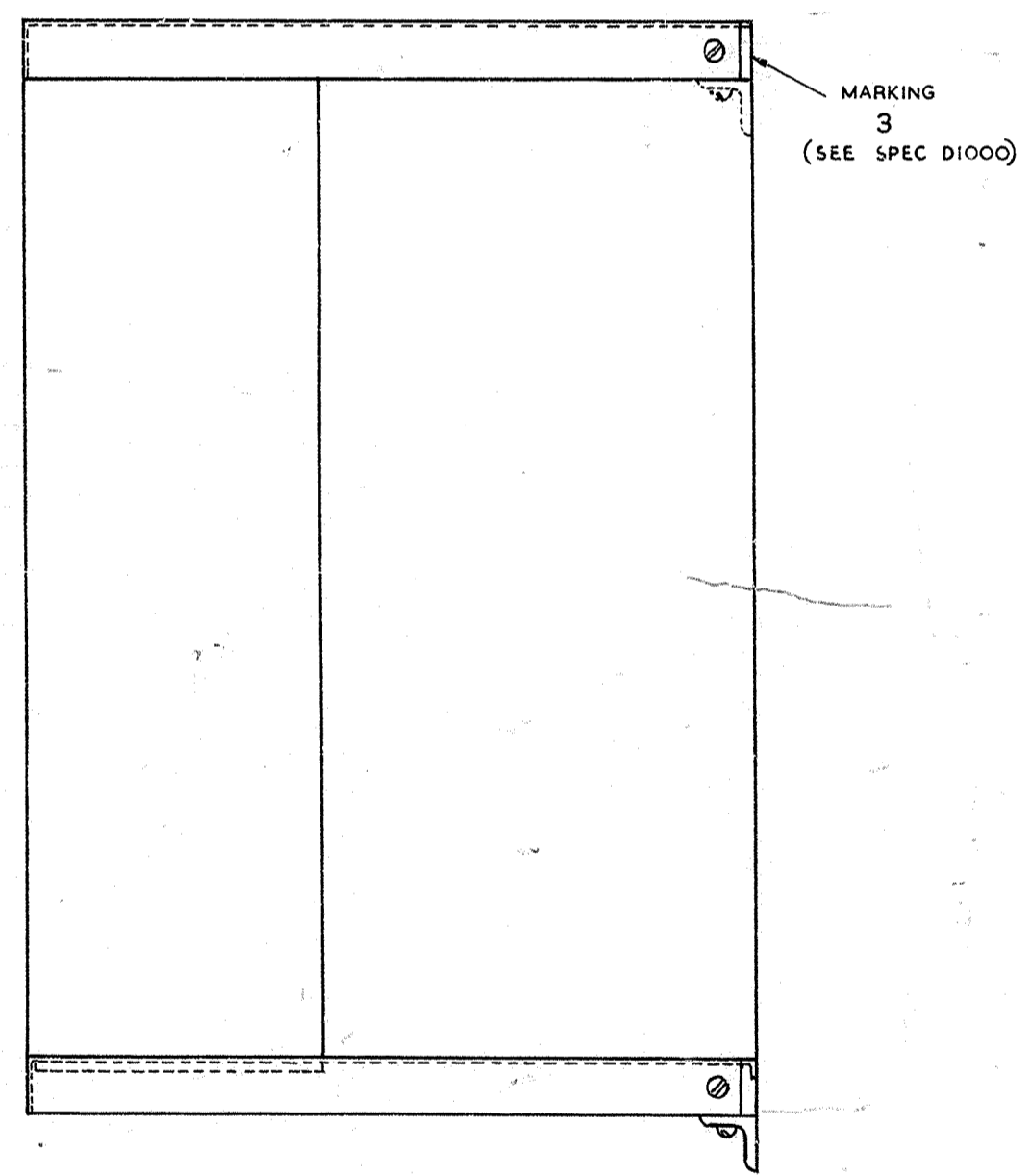
MATERIAL } SEE SPEC
FINISH }



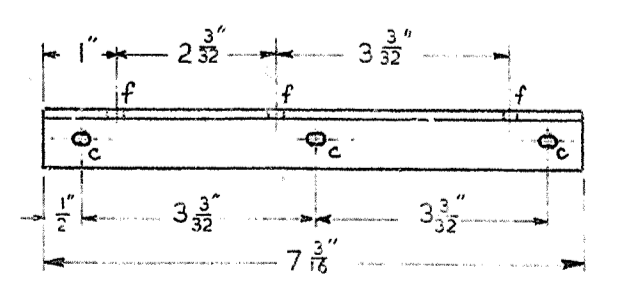
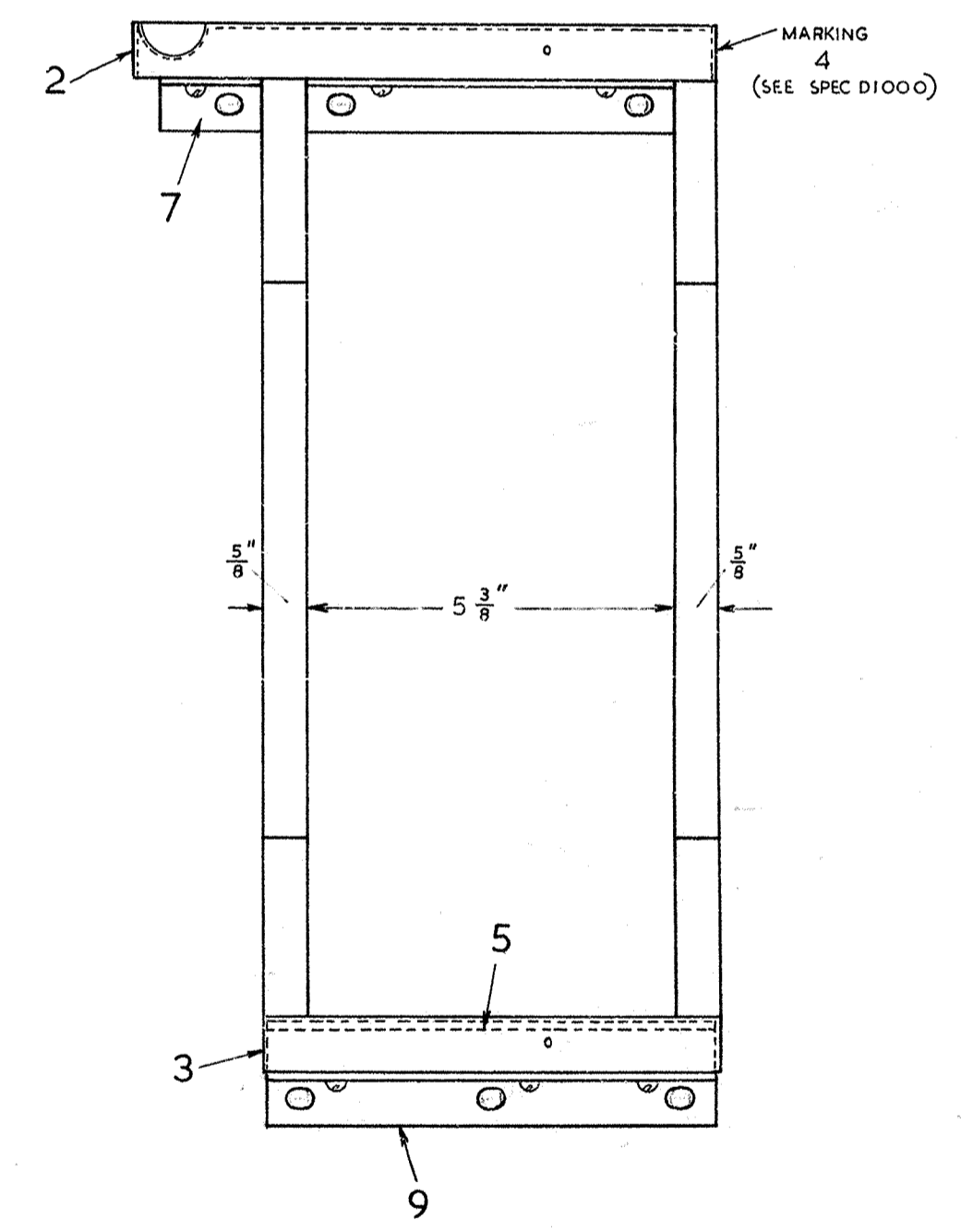
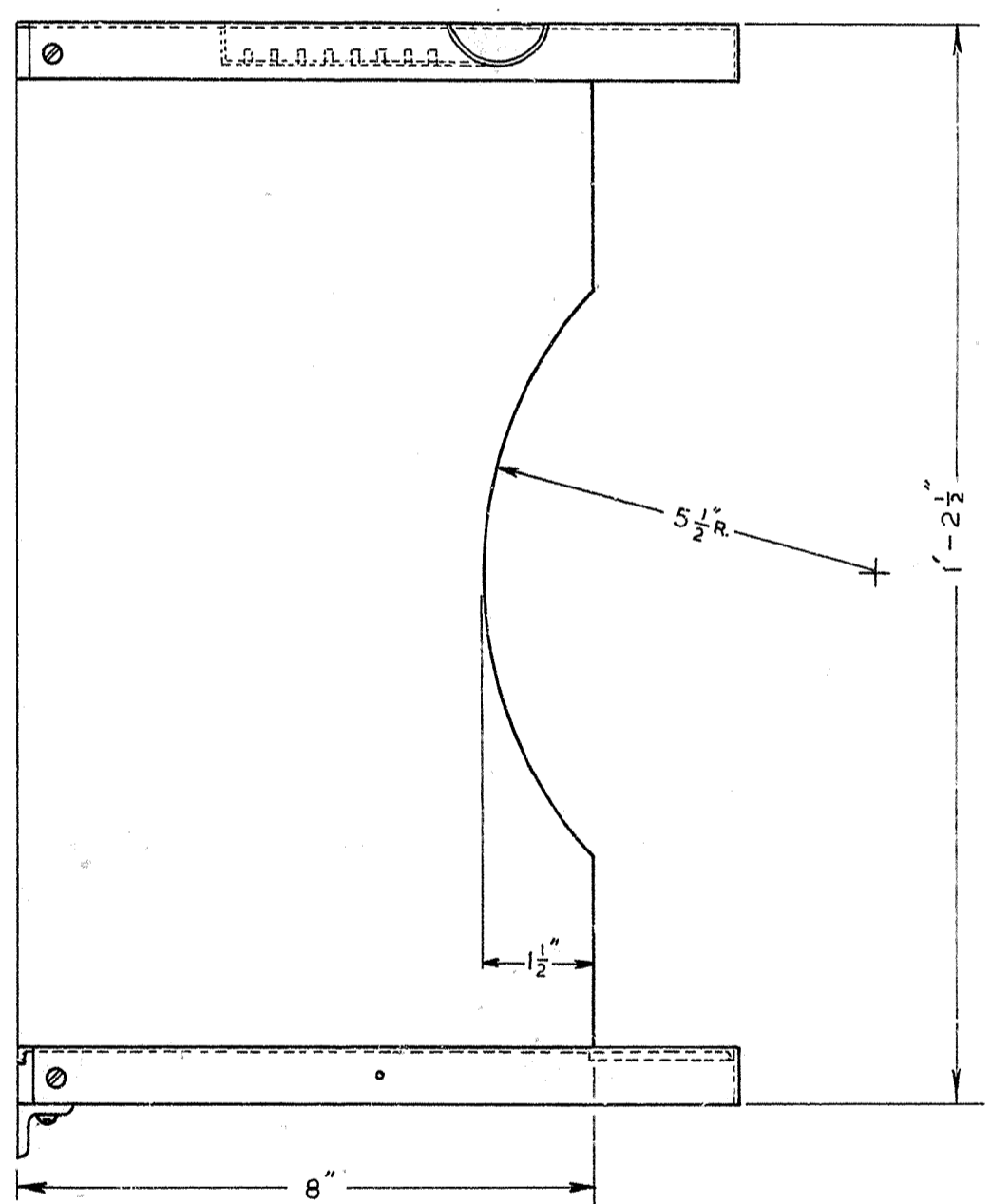
PART SECTION X-X



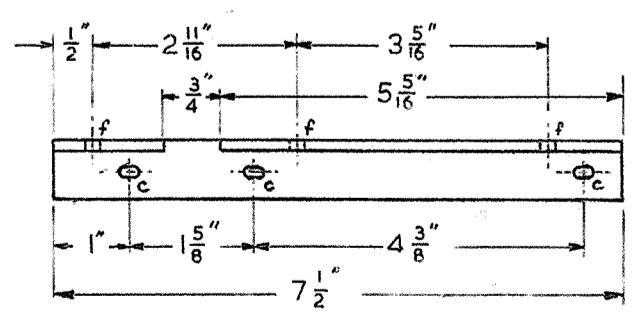
CONTAINER No. 3.



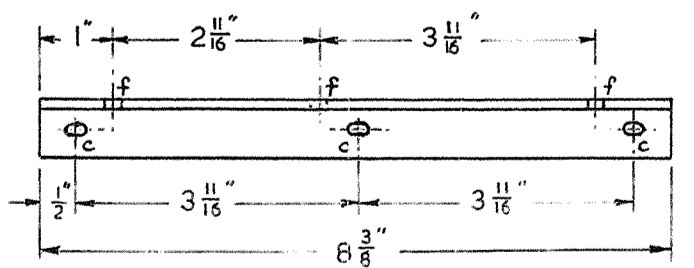
CONTAINER No. 4.



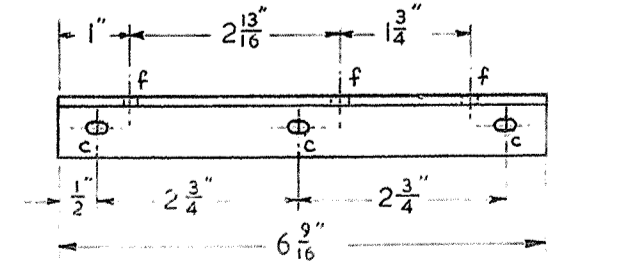
1. MATERIAL:- ANGLE MS 2" x 2" x 1/8"
FINISH:- PAINTED & ENAMELLED (BLACK GRAY)



2. MATERIAL:- } AS DETAIL 1.
FINISH:- }



3. MATERIAL:- } AS DETAIL 1.
FINISH:- }



4. MATERIAL:- } AS DETAIL 1.
FINISH:- }

DO NOT SCALE
(A MICROFILM PROCESS PRINT)

CONTAINERS
Nos 3 & 4