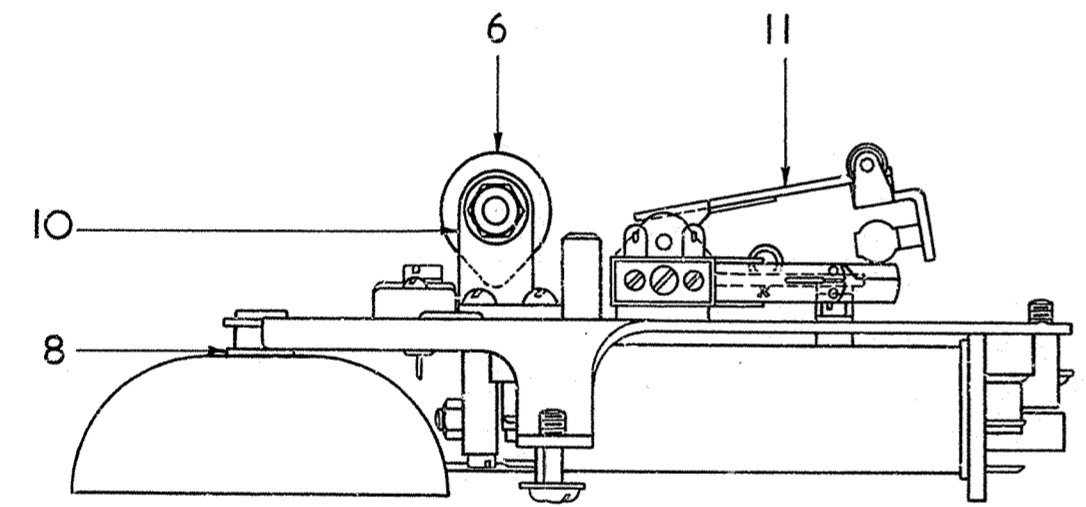
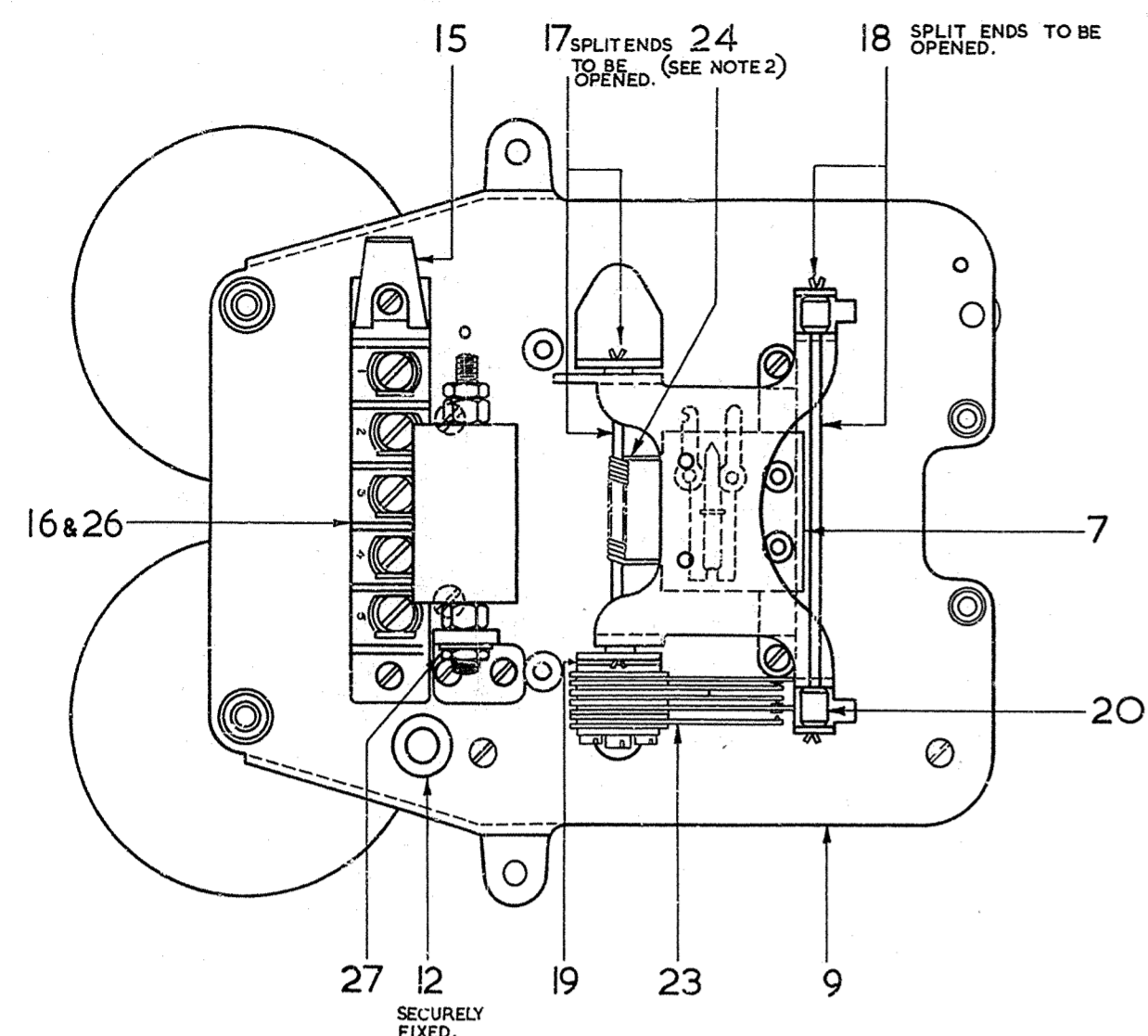
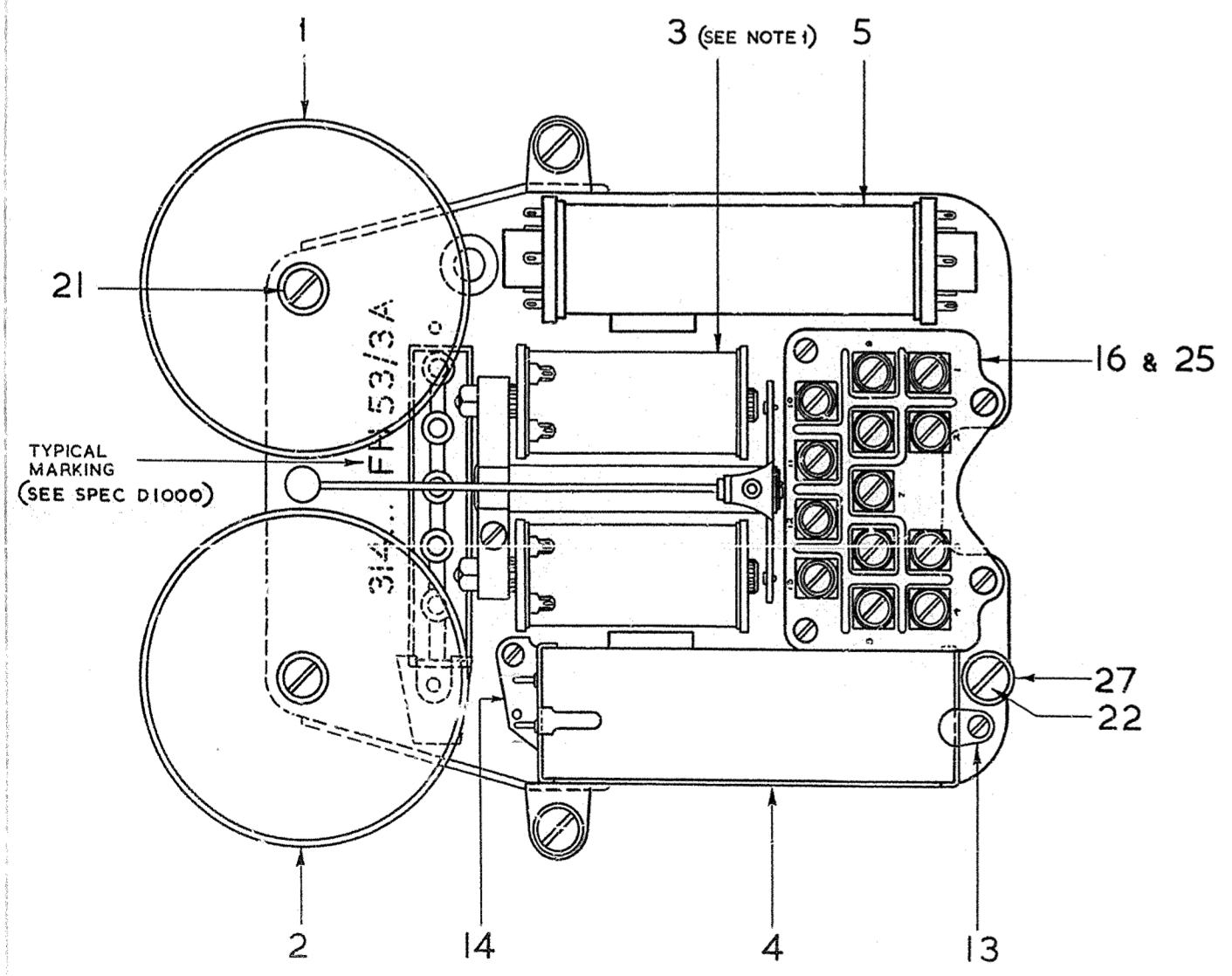


POST OFFICE ENGINEERING DEPT.
 ELECTRIC OFFICE 5 BRANCH
 DISTRIBUTION
 GENERAL
 63250
 REFERENCE
 ASSEMBLY DRG. WIRING DIAG.
 FILE SPEC.
 SCALE - 1" = 1" AND AS INDICATED THIRD ANGLE PROJECTION
 DECIMAL DIMENSIONS UNLESS TOLERANCED
 SUBJECT F5
 APPD. IN 511 SECTION FORN. 2004
 TOC. 1000
 DATE 30-9-53
 AMENDMENT 11/63
 SUFFD.



SCHEDULE									
COMPONENTS					SCREWS, ETC.				
ITEM	QCT.CODE	DESCRIPTION	DRG.	SPEC.	No.OFF	DESCRIPTION	MTL.	FINISH	No.OFF
1		BELL GONG No.2	CD254	S16	1				
2		BELL GONG No.2A	CD254	S16	1				
3		BELL No. 59 A (UNMOUNTED)	9874	S81	1	SC. 4 B.A. X 1/4 RD. HD.	BR.	NI.P.MT.	2
4		CAPACITOR M C No. 97		DI 251	1				
5		COIL INDUCTION No.27 (LESS FIXING SCS.)	52207	DI 491	1	SC. 6 B.A. X 1/4 CH. HD.	BR.	NI.P.MT.	2
6		RECTIFIER ELEMENT No. 1/12A	CD12	D810	1				
7		THERMISTOR No. 1 AN	90186		1				
8		WASHER LOCKING No.1 2 B.A.	CD862		2				
9		2/SBA/11 (BASEPLATE COMPLETE)	SBA/11		1				
10		1/DBR/220 (BRACKET MOUNTING)	DBR/220		1				
11		1/SBR/138 (BRACKET SWITCH)	SBR/138		1				
12		21/SBU/81 (BUSH INSULATING)	SBU/81		1				
13		1/SCL/36 (CLIP CAPACITOR)	SCL/36		1	SC. 6 B.A. X 1/8 RD. HD.	BR.	NI.P.MT.	1
14		1/DCL/107 (CLIP CAPACITOR)	DCL/107		1	SC. 6 B.A. X 1/8 RD. HD.	BR.	NI.P.MT.	1
15		1/SCL/38 (CLIP CORD GUIDE)	SCL/38		1				
16		1/SLI/2 (LINK BRASS)	SLI/2		2				
17		1/SPI/40 (PIVOT)	SPI/40		1				
18		2/SPI/40 (PIVOT)	SPI/40		1				
19		2/SPL/77 (PLATE METAL)	SPL/77		1				
20		2/SRO/6 (ROLLER)	SRO/6		2				
21		2/SSC/17 (SCREW 2 B.A. SPECIAL)	SSC/17		2				
22		1/SSC/24 (SCREW 2 B.A. SPECIAL)	SSC/24		3				
23		1/DSP/1062 (SPRING SET ASSEMBLY)	DSP/1062		1	SC. 6 B.A. X 3/16 CH. HD.	BR.	NI.P.MT.	1
24		1/SSP/515 (SPRING SPIRAL)	SSP/515		1				
25		1/SST/56 (STRIP CONNEXION)	SST/56		1	SC. 6 B.A. X 1/16 CSK. HD.	BR.	NI.P.MT.	4
26		1/SST/57 (STRIP CONNEXION)	SST/57		1	SC. 6 B.A. X 3/32 RD. HD.	BR.	NI.P.MT.	2
27		WASHER LOCKING No.128A (PHOSPHOR BRONZE)	CD862		4				

NOTES:-
 1. THE ARMATURE OF ITEM 3 IS TO BE REVERSED & THE COIL TAGS BENT AS SHOWN
 2. THE POSITION OF ITEM 24 ON ITEM 17 IS IMMATERIAL.
 3. FOR OTHER SUB-ASSEMBLY OF 300 TYPE TELEPHONE SEE DRG. 63250.



FIRST USE TELE. No. 314
 FOR SUPPLY

TELEPHONE
 No. 300 TYPE
 SUB-ASSEMBLY
 (CHASSIS)