

POST OFFICE ENGINEERING DEPT
E-IN-C'S OFFICE 5 BRANCH

DISTRIBUTION

GENERAL

REFERENCES

SEE SCHEDULE

ASSEMBLY DRG

WIRING DIAG

BT.TDC. TECH GEN. 6

SPEC S77

THIRD ANGLE PROJECTION

DECIMAL DIMENSIONS NOT TOLERANCED SUBJECT TO

APPROVED BY: *HAS*

SECTION: *1145*

DRN: *ED. LTD.*

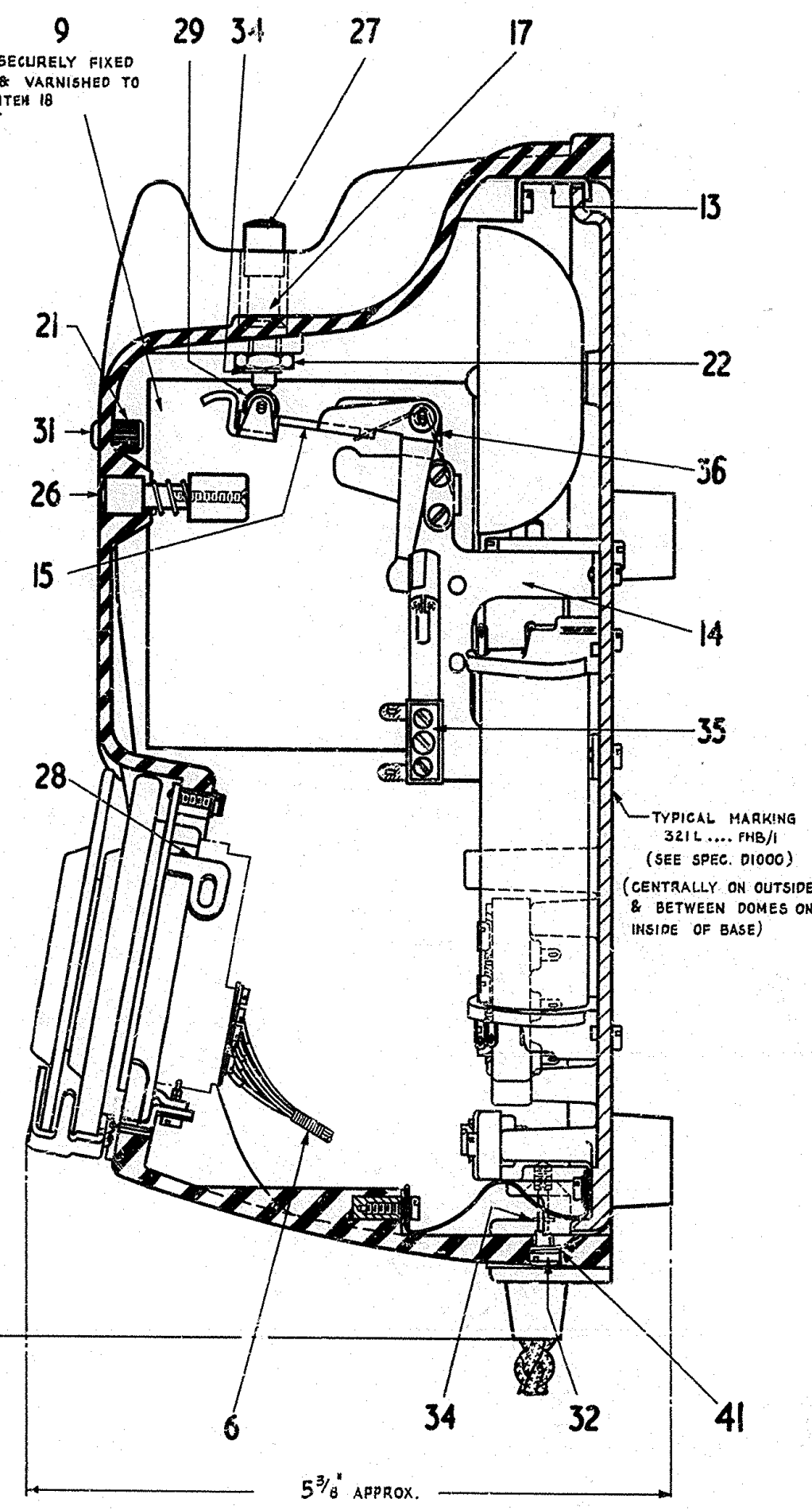
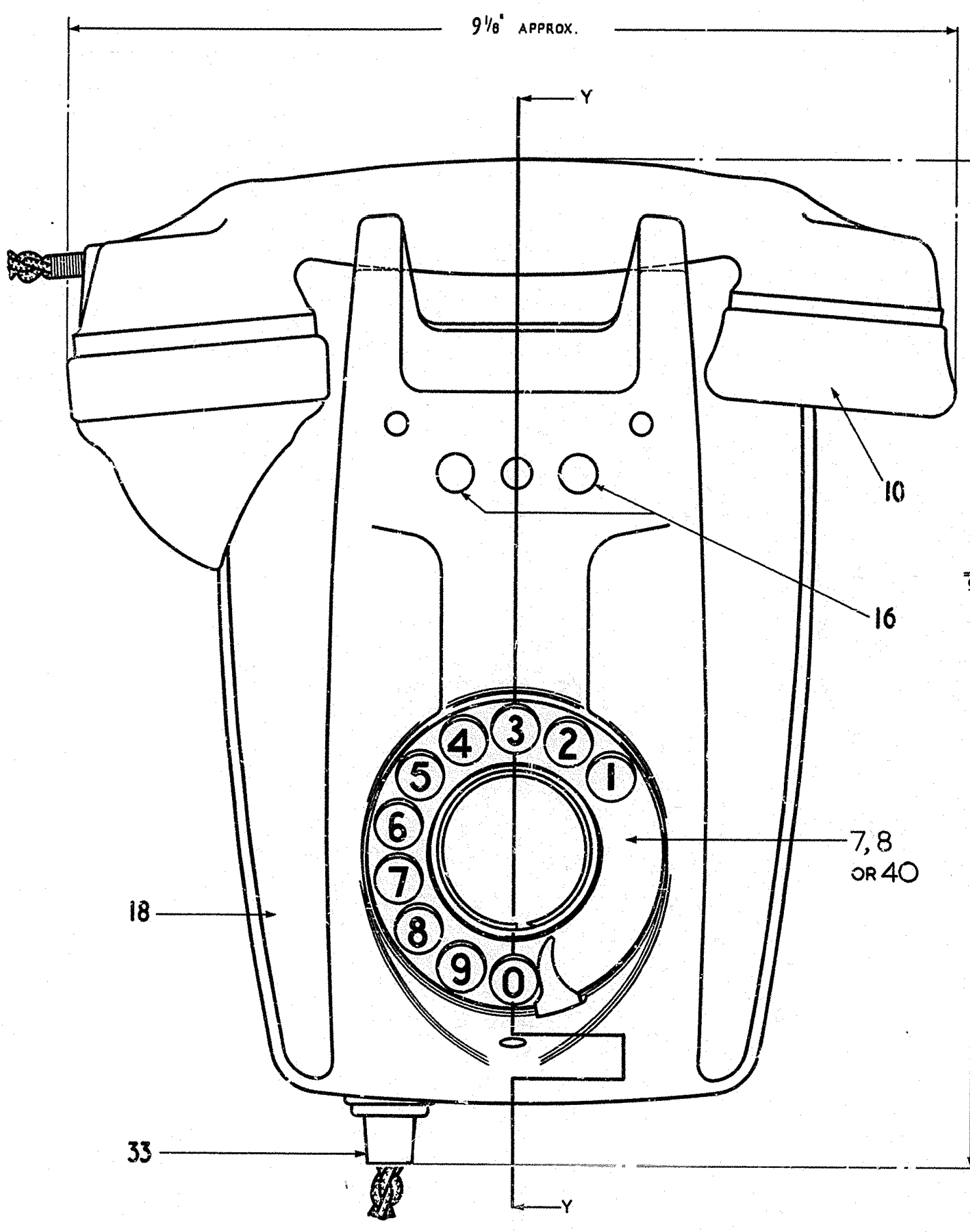
DATE: 2.7.55

AMENDMENT

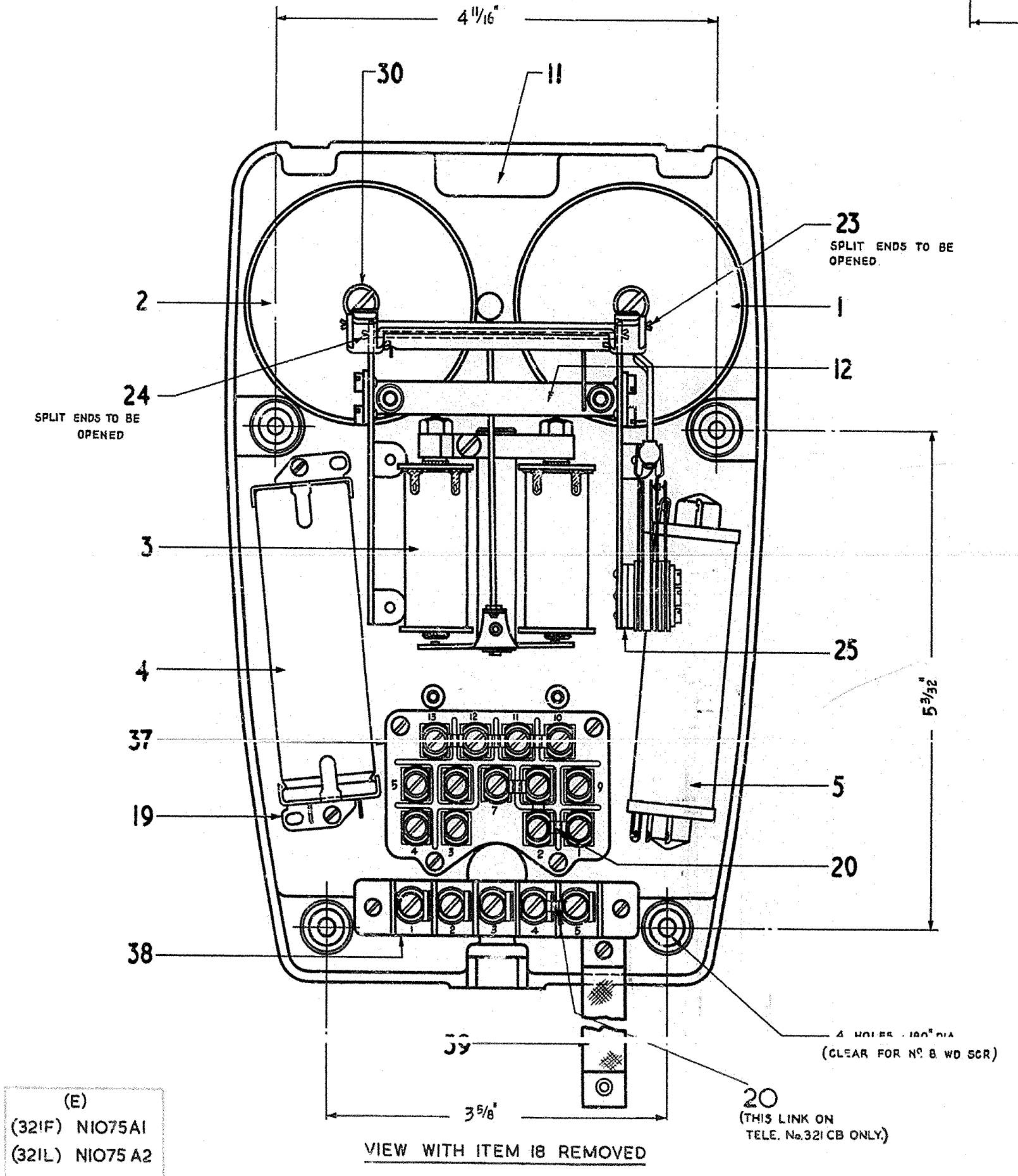
TELE. No. 321 CB ADDED. 23.1.56

ITEMS 18 & 32 UPDATED. ITEM ADDED. 20.8.57

SUPERSESSION NOTE ADDED. 9.7.64



SECTION Y-Y THROUGH ITEM 18
ITEM 10 OMITTED



VIEW WITH ITEM 18 REMOVED

(E)
(321F) NIO75A1
(321L) NIO75A2

| ITEM | DESCRIPTION | DRG | SPEC | NO OFF | | |
|------|---|----------|-------|--------|------|-------|
| | | | | 321F | 321L | 321CB |
| 1 | BELL GONG NO 2. | CO254 | S16 | 1 | 1 | 1 |
| 2 | BELL GONG NO 2A. | CO254 | S16 | 1 | 1 | 1 |
| 3 | BELL, NO 59A (UNMOUNTED) MODIFIED SEE NOTE 1. | 9874 | S81 | 1 | 1 | 1 |
| 4 | CAPACITOR MC NO 97. | --- | D1251 | 1 | 1 | 1 |
| 5 | COIL, INDUCTION NO 27. (LESS C'SK SCS) | 62207 | D1491 | 1 | 1 | 1 |
| 6 | CORD INSTRUMENT NO 5/28 E 5" | 62109 | --- | 1 | 1 | 1 |
| 7 | DIAL, AUTOMATIC NO 12 FA. | 90158 | S409 | 1 | --- | --- |
| 8 | DIAL, AUTOMATIC NO 12 LA. | 90158 | S409 | --- | 1 | --- |
| 9 | LABEL, DIAGRAM N421 | N421 | --- | 1 | 1 | 1 |
| 10 | TELEPHONE NO 164 (COLOUR) | 9509 | S67 | 1 | 1 | 1 |
| 11 | 2/DBA/21 (BASEPLATE, TELEPHONE) | DBA/21 | --- | 1 | 1 | 1 |
| 12 | 1/DBR/237 (BRACKET MFG. KEY) | DBR/237 | --- | 1 | 1 | 1 |
| 13 | 1/DBR/306 (BRACKET CASE) | DBR/306 | --- | 2 | 2 | 2 |
| 14 | 1/DBR/307 (BRACKET SWITCH, MECH) | DBR/307 | --- | 2 | 2 | 2 |
| 15 | 1/DBR/308 (BRACKET SWITCH) | DBR/308 | --- | 1 | 1 | 1 |
| 16 | 1/DBU/11 COLOUR (BUTTON DUMMY) | DBU/11 | --- | 2 | 2 | 2 |
| 17 | 1/SBU/65 (BUSII METAL) | SBU/65 | --- | 2 | 2 | 2 |
| 18 | 1/DCA/89 COLOUR (CASE TELEPHONE) | DCA/89 | --- | 1 | 1 | 1 |
| 19 | 1/DCL/107 (CLIP CAPACITOR) | DCL/107 | --- | 2 | 2 | 2 |
| 20 | 1/SLI/2 (LINK BRASS) | SLI/2 | --- | 6 | 6 | 7 |
| 21 | 1/DNU/35 (NUT, CIRCULAR) | DNV/35 | --- | 2 | 2 | 2 |
| 22 | 1/SNU/65 (NUT HEX) | SNU/65 | --- | 2 | 2 | 2 |
| 23 | 2/SPI/40 (PIVOT) | SPI/40 | --- | 1 | 1 | 1 |
| 24 | 3/SPI/40 (PIVOT) | SPI/40 | --- | 1 | 1 | 1 |
| 25 | 2/SPL/77 (PLATE METAL) | SPL/77 | --- | 1 | 1 | 1 |
| 26 | 1/DPL/361 (PLUNGER, TELEPHONE) | DPL/361 | --- | 1 | 1 | 1 |
| 27 | 1/DPL/362 (PLUNGER, SWITCH) | DPL/362 | --- | 2 | 2 | 2 |
| 28 | 1/DR/24 (RING, DIAL, MOUNTING) | DR/24 | --- | 1 | 1 | 1 |
| 29 | 2/SRO/6 (ROLLER) | SRO/6 | --- | 2 | 2 | 2 |
| 30 | 2/SSC/17 (SC, SPECIAL, 2BA) | SSC/17 | --- | 2 | 2 | 2 |
| 31 | 1/DSC/151 (SC, SPECIAL, 6BA) | DSC/151 | --- | 2 | 2 | 2 |
| 32 | 1/DSC/380 (SC, LOCKING, 4BA) | DSC/380 | --- | 1 | 1 | 1 |
| 33 | 1/DSL/15 (SLEEVE, CORD) | DSL/15 | --- | 1 | 1 | 1 |
| 34 | 1/SSP/495 (SPRING, CLAMPING) | SSP/495 | --- | 3 | 3 | 3 |
| 35 | 1/DSP/1062 (SPRING SET ASSEMBLY) | DSP/1062 | --- | 1 | 1 | 1 |
| 36 | 1/DSP/1146 (SPRING, SWITCH, MECHANISM) | DSP/1146 | --- | 1 | 1 | 1 |
| 37 | 1/SS7/56 (STRIP CONNEXION) | SS7/56 | --- | 1 | 1 | 1 |
| 38 | 1/SS7/57 (STRIP CONNEXION) | SS7/57 | --- | 1 | 1 | 1 |
| 39 | 1/DST/163 (STRAP RESTRAINING) | DST/163 | --- | 1 | 1 | 1 |
| 40 | DIAL, AUTOMATIC, DUMMY No. 3 (COLOUR) | 62952 | --- | --- | --- | --- |
| 41 | 1/DSP/550 (SPRING, SPIRAL) | DSP/550 | --- | 1 | 1 | 1 |

| ITEM | SCREWS, ETC. | MTL | FINISH | NO OFF | | |
|------|--|----------|-------------|--------|------|-------|
| | | | | 321F | 321L | 321CB |
| 1&2 | WASHER LOCKING NO 1/2 BA | --- | --- | 2 | 2 | 2 |
| 3 | SC 4 BA x 1/4" CH. HD. | BR | NI.P.MT. | 2 | 2 | 2 |
| 5 | SC 6 BA x 1/4" CH. HD. | BR | NI.P.MT. | 2 | 2 | 2 |
| 12 | SC 6 BA x 5/32" CH. HD. | BR | NI.P.MT. | 4 | 4 | 4 |
| 13 | SC 6 BA x 5/16" CH. HD. | BR | NI.P.MT. | 2 | 2 | 2 |
| 14 | SC 6 BA x 3/16" CH. HD. | BR | NI.P.MT. | 4 | 4 | 4 |
| 19 | SC 6 BA x 1/8" CH. HD. | BR | NI.P.MT. | 2 | 2 | 2 |
| 28 | SC 6 BA x 1/32" CH. HD. | BR | NI.P.MT. | 3 | 3 | 3 |
| | WASHER 6 BA SMALL | BR | NI.P.MT. | 3 | 3 | 3 |
| 35 | SC 6 BA x 9/16" CH. HD. | BR | NI.P.MT. | 1 | 1 | 1 |
| 37 | SC 6 BA x 7/16" C'SK HD. | BR | NI.P.MT. | 4 | 4 | 4 |
| 38 | SC 6 BA x 3/8" CH. HD. | BR | NI.P.MT. | 2 | 2 | 2 |
| | SC 6 BA x 5/16" CH. HD. | BR | NI.P.MT. | 1 | 1 | 1 |
| 39 | SC 6 BA x 1/4" CH. HD. | BR | NI.P.MT. | 1 | 1 | 1 |
| | WD. SCR. NO 8. X 1 3/4" RD HD. SECURELY FIXED TO TELEPHONE | MS OR BR | BLUED CLEAN | 4 | 4 | 4 |

Ø REPLACEABLE ITEMS

NOTE:-
1. THE ARMATURE OF ITEM 3 IS TO BE REVERSED AND THE COIL TAGS BENT AS SHOWN.

COLOURS: BLACK, RED, IVORY, GREEN.

TELEPHONE
No 321 (COLOUR)
(MARK 1.)