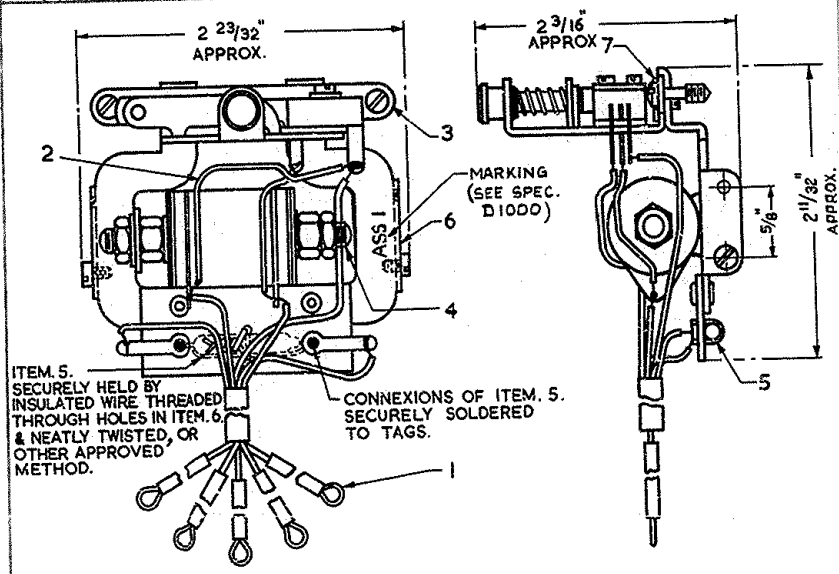


POST OFFICE ENGINEERING DEPT E-IN C'S OFFICE S BRANCH		DISTRIBUTION		GENERAL		REFERENCES		AMENDMENT		SUFFIX	
P.D.		GENERAL		GENERAL		REFERENCES		AMENDMENT		SUFFIX	
SEE SCHEDULE		SPEC. D.1000		SPEC. D.1000		SPEC. D.1000		SPEC. D.1000		SPEC. D.1000	
ASSEMBLY DRG.		WIRING DGM.		N422		FILE		SCALE		SUBJECT TO	
FILE		SCALE		SUBJECT TO		APP'D IN SI SECTION		DRN		E.T. LTD.	
SCALE		SUBJECT TO		APP'D IN SI SECTION		DRN		E.T. LTD.		T.C.D.	
SUBJECT TO		APP'D IN SI SECTION		DRN		E.T. LTD.		T.C.D.		CONTR'S & R.	
APP'D IN SI SECTION		DRN		E.T. LTD.		T.C.D.		CONTR'S & R.		DATE	
APP'D IN SI SECTION		DRN		E.T. LTD.		T.C.D.		CONTR'S & R.		DATE	
APP'D IN SI SECTION		DRN		E.T. LTD.		T.C.D.		CONTR'S & R.		DATE	
APP'D IN SI SECTION		DRN		E.T. LTD.		T.C.D.		CONTR'S & R.		DATE	

ADAPTER,
SHARED SERVICE
No. 1.

DRG 90511



SCHEDULE							
ITEM	DESCRIPTION	DRG.	SPEC	Nº OFF	SCREWS	MTL FINISH	Nº OFF
1	CORD, INST. Nº5/35E	90524	-	1			
2	CORDAGE 'E' TYPE			1			
3	Ø KEY Nº 302B	63089	-	1	SC. 6 BA X 3/16" CH. HD.	BR. N.P.MT.	1
4	Ø RECTIFIER-ELEMENT Nº1/12A	CD 12	-	1	WASHER, LOCKING Nº1/28A Ph. B.	-	1
5	Ø THERMISTOR Nº1A.	-	D1887	1			
6	1/ØBR/236 (BRACKET, MTG.)	DBR/236	-	1	SC. 6 BA X 3/16" CH. HD.	BR. N.P.MT.	2
7	1/ØNU/86 (NUT, HEX. 6BA.)	DNU/86	-	1			

Ø REPLACEABLE ITEMS

USED ON:- TELE Nº 321- ---- COLOUR (DRG. 90509.)

(E)
N82642

DRG. 90511