

POST OFFICE ENGINEERING DEPT.
E-IN-C'S OFFICE 5 BRANCH

DISTRIBUTION GENERAL

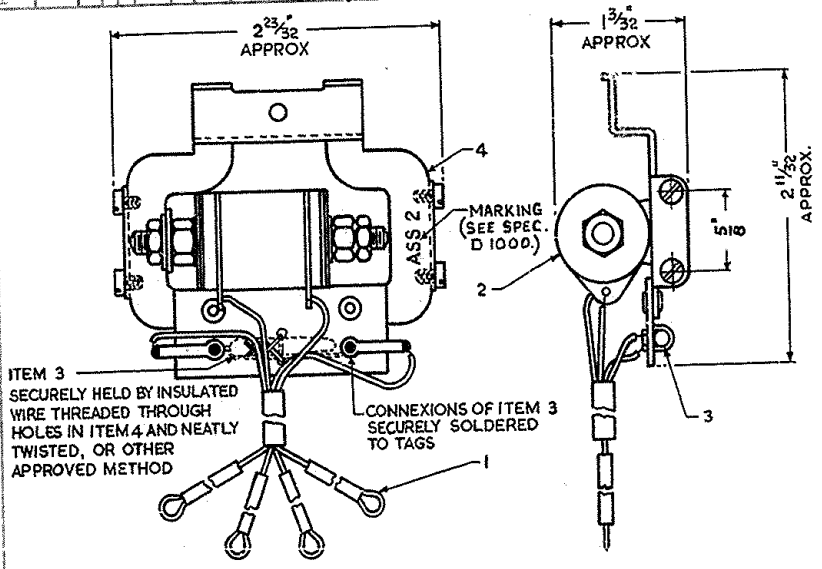
SEE SCHEDULE REFERENCE: SPEC. D 1000
WIRING DGM. N 422
ASSEMBLY DRG. N 422
FILE ATTOC. TECH GEN. 6. THIRD ANGLE
SCALE: 1 INDICATED PROJECTION
DECIMAL DIMENSIONS NOT TOLERANCED
SUBJECT TO

APP'D. IN SI SECTION DRN J.E.T. LTD.
TCD CKD CONTRS & RB
DATE 2.7.55
AMENDMENT SUFFIX

FOR SUPERSEDE

**ADAPTER
SHARED SERVICE.
N° 2**

DRG. 90512



SCHEDULE						
ITEM	DESCRIPTION	DRG	SPEC	N° OFF	SCREWS, ETC	MTL FINISH N° OFF
1	CORD, INST. N°4 / 70E	90513	-	1		-
2	Ø RECTIFIER-ELEMENT N°1/12A	CD12	-	1	WASHER LOCKING N°1/2BA	P&B - 1
3	Ø THERMISTOR N°1A	-	D1887	1		
4	1 DBR/236 (BRACKET, MTG)	DBR/236		1	SC.6BA x 3/16 CH.HD.	BR Ni.P.Mt 4

Ø REPLACEABLE ITEMS.

USED ON- TELE N°321 - - - - COLOUR (DRG. 90509)

(E)
N82802

DRG. 90512