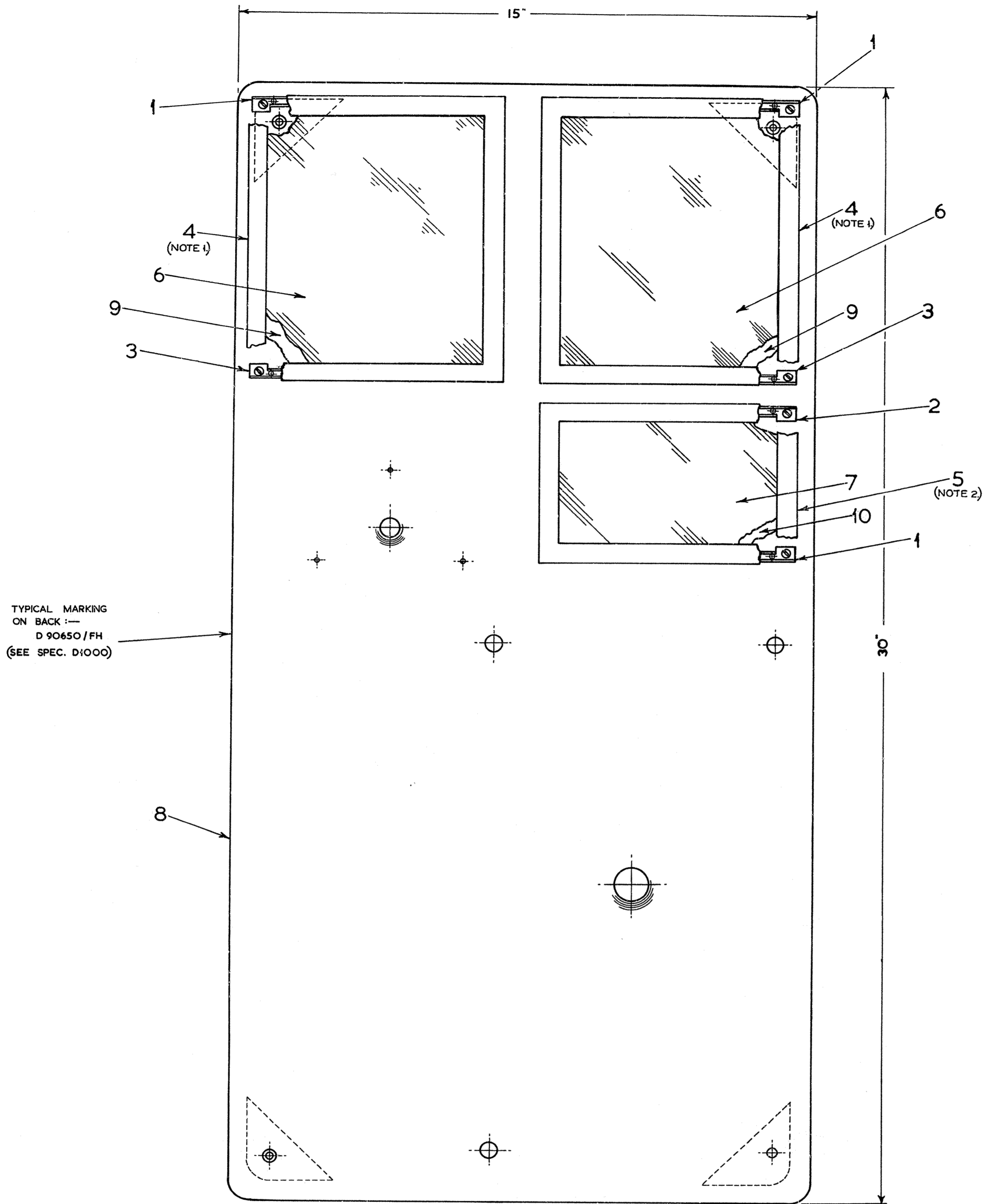


DRG. 90650



SCHEDULE

ITEM	DESCRIPTION	DRG.	No OFF	SCREWS ETC.	MATL	FINISH	No OFF
1	BRACKET, MOUNTING DH. $6\frac{1}{2}$ "	60595	3	WD. SC. No. 4 X $\frac{5}{8}$ CSK. HD.	BRASS	CLEAN	9
2	" " " DQ $6\frac{1}{2}$ "	90071	1	" " " "	"	"	3
3	" " " FC	90620	2	" " " "	"	"	6
4	FRAME, NOTICE No. 30	60594	2				
5	" " " No. 31	60594	1				
6	GLASS No. 50.	63703	2				
7	" " No. 51.	63703	1				
8	DETAIL (BASEBOARD)	90684	1				
9	PASTEBOARD SHEET $7\frac{1}{16}$ " X $6\frac{3}{8}$ "		2				
10	" " " $3\frac{1}{2}$ " X $6\frac{3}{8}$ "		1				

NOTE

- ITEM 4 SHALL HAVE A SATISFACTORY SNAP ON/OFF ACTION OVER ITEM 3.
- ITEM 5 SHALL BE READILY FIXED OR REMOVED WITH THE AID OF "KEY, FRAMES NOTICE No. 29"

POST OFFICE ENGINEERING DEPT  
E-IN-C'S OFFICE \$ BRANCH

DISTRIBUTION  
RESTRICTED

SEE SCHED

REFERENCES

ASSEMBLY DRG

FILE 1304/35

SCALE  $\frac{1}{2}$  AND ALL DIMENSIONS INDICATED IN THIRDS

DECIMAL DIMENSIONS AND ALL DIMENSIONS SUBJECT TO

APPROVED BY  
J. B. Bell

DATE  
22-10-55

FOR SUPERSED

WALLBOARD  
D 90650.

ASSEMBLY

DRG. 90650