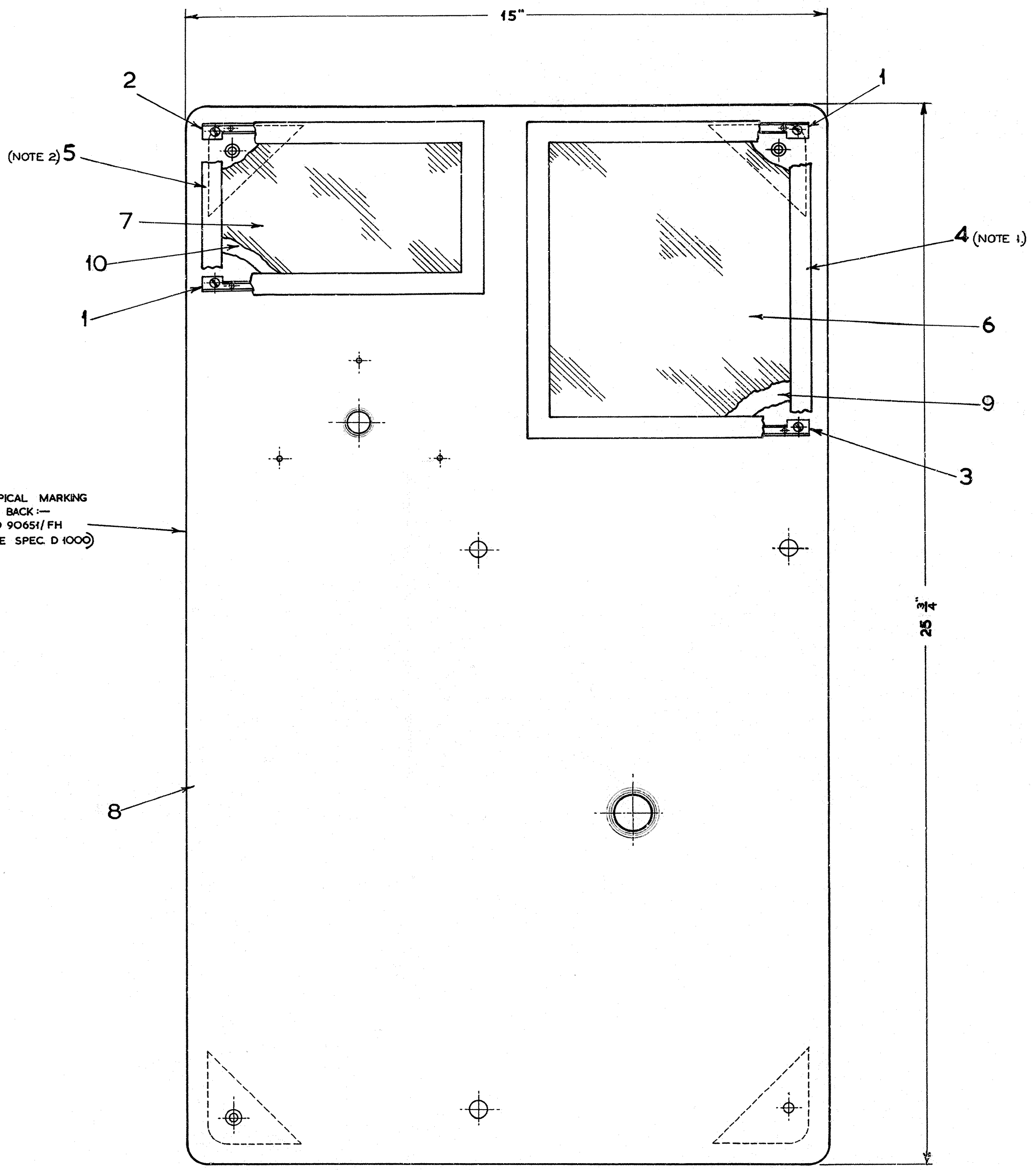


DRG 90651

POST OFFICE ENGINEERING DEPT
E-N-C's OFFICE 5 BRANCH
DISTRIBUTION
RESTRICTED
REFERENCES
SEE SCHED. [] []
ASSEMBLY DRG [] WIRING DRG []
FILE 1304/35 SPEC []
SCALE: 1/2" AND AS INDICATED THIRD ANGLE PROJECTION
DECIMAL DIMENSIONS NOT TO BE USED SUBJECT TO []
APP'D BY S1/3/3 SECTION []
Jh. Belt. P.O.B. []
DATE 22-10-55
AMENDMENT [] []



TYPICAL MARKING
ON BACK:—
D 90651/FH
(SEE SPEC. D 1000)

SCHEDULE							
ITEM	DESCRIPTION	DRG.	No. OFF.	SCREWS- ETC.	MATL.	FINISH.	No. OFF.
1	BRACKET MOUNTING DH 6 1/2"	60595	2	WD. SC. No. 4 X 5/8 CSK. HD	BRASS	CLEAN	6
2	" " " DQ 6 1/2"	90071	1	" " "	"	"	3
3	" " " FC	90620	1	" " "	"	"	3
4	FRAME NOTICE No. 30	60594	1				
5	" " " " 31	60594	1				
6	GLASS No. 50	63703	1				
7	" " " 51	63703	1				
8	DETAIL (BASEBOARD)	90685	1				
9	PASTEBOARD SHEET 7 1/16 X 6 3/8		1				
10	" " " 3 1/32 X 6 3/8		1				

NOTE
1. ITEM 4 SHALL HAVE A SATISFACTORY SNAP ON/OFF ACTION OVER ITEM 3.
2. ITEM 5 SHALL BE READILY FIXED OR REMOVED WITH THE AID OF "KEY, FRAMES NOTICE No. 29"

FOR SUPERSED
WALLBOARD.
D 90651
ASSEMBLY.
DRG 90651